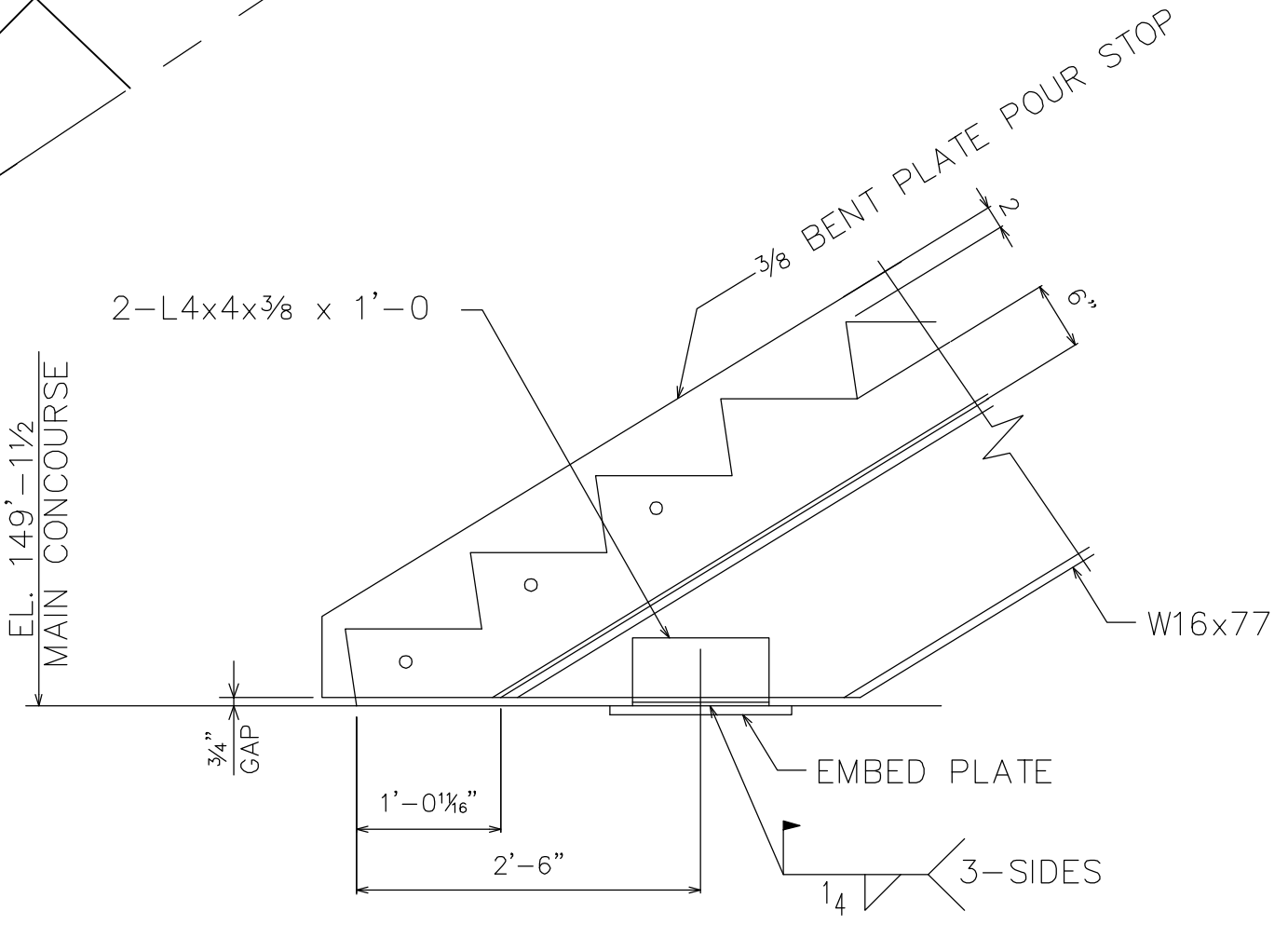
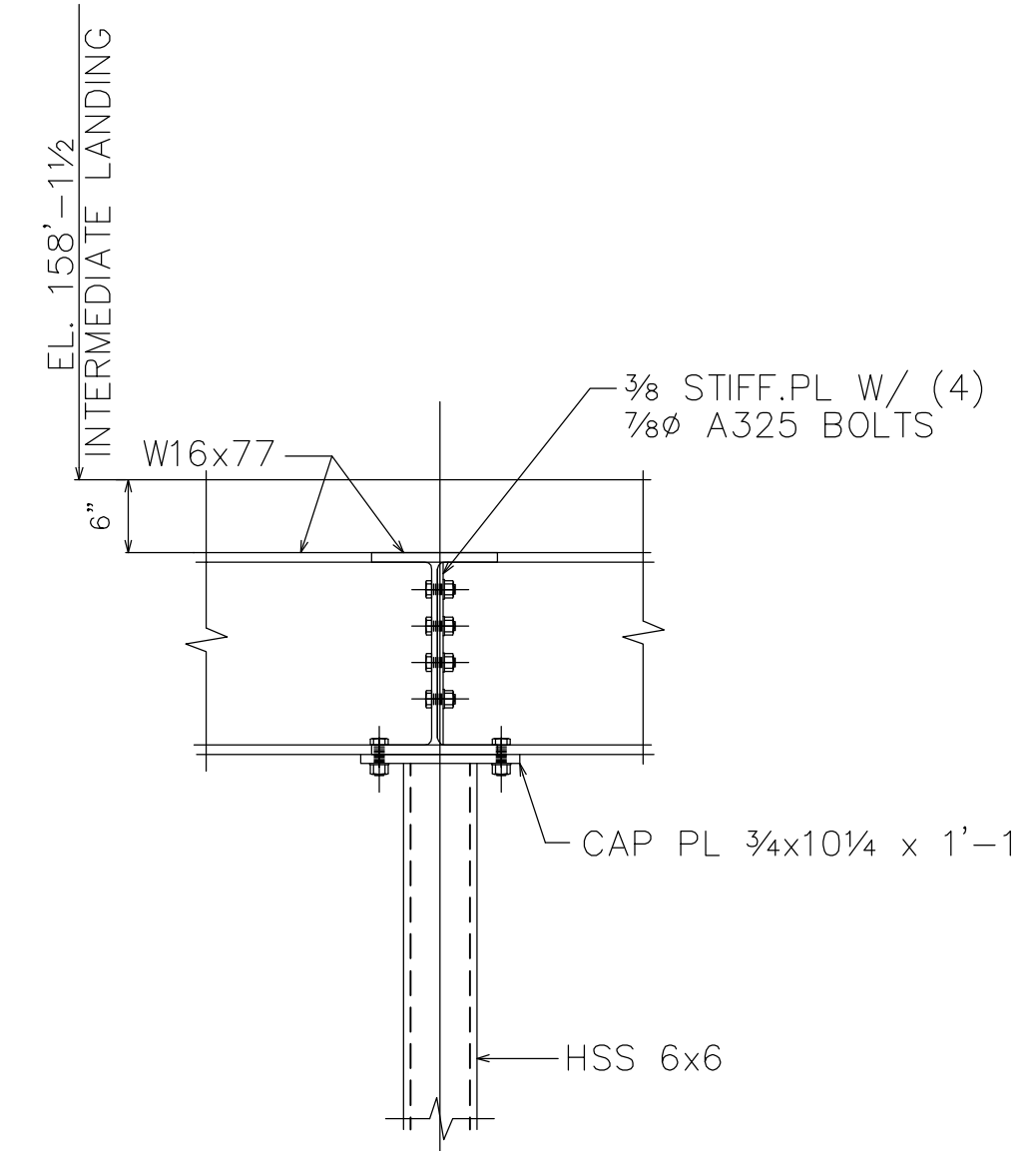


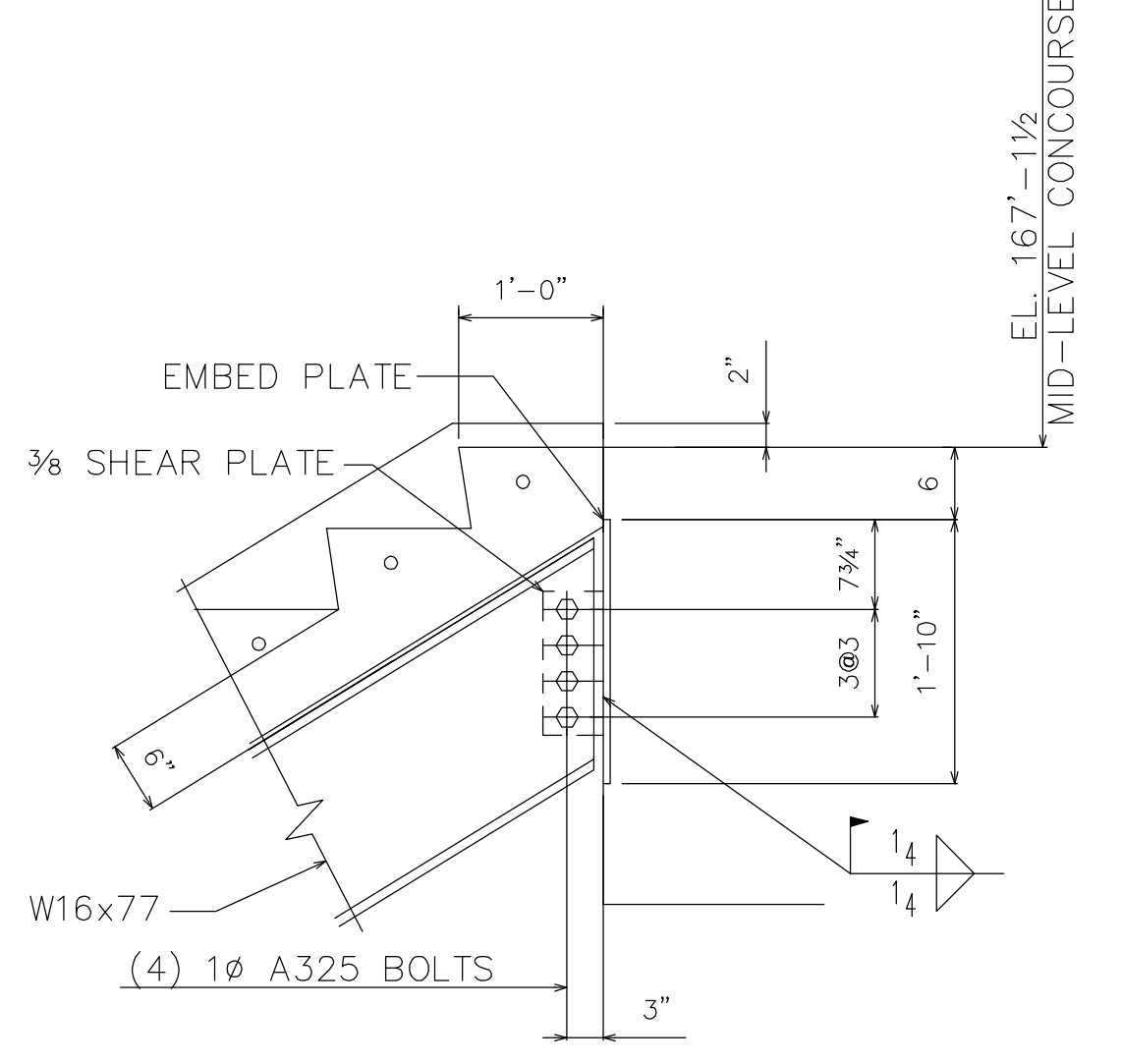
SECTION A-A



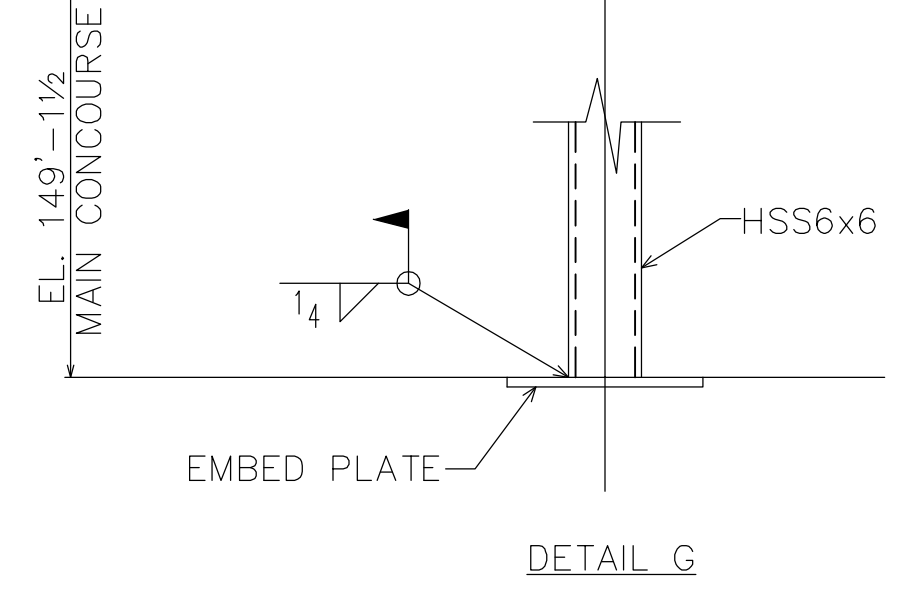
DETAIL 1



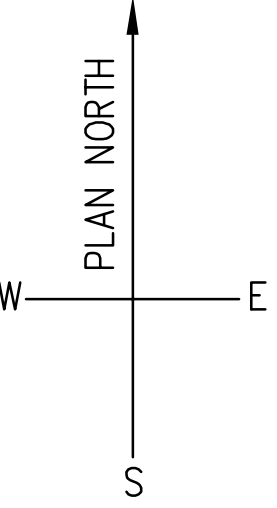
DETAIL 2



DETAIL 3



DETAIL G



PLAN MONUMENTAL STAIR MAIN TO MID-LEVEL CONCOURSE ~ SECTOR 11

MONUMENTAL STAIR FRAMING SECTOR 11

Revision table with columns for Rev, Date, Description, and By.

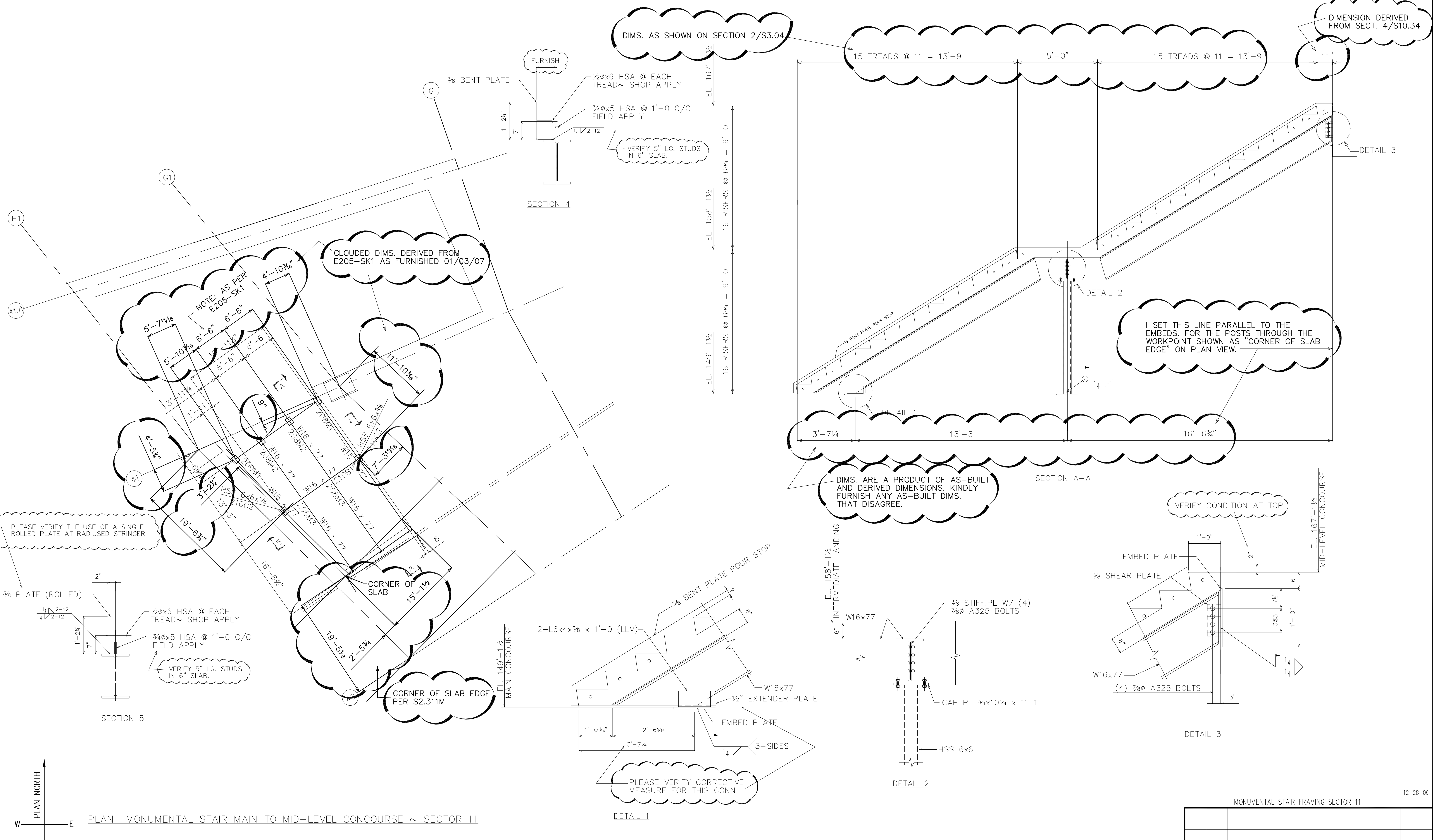
IRWIN STEEL
15740 Highway 114 ~ Justin, Texas 76247
Phone (817) 636-2508 ~ Fax (817) 636-2506

Job information table including Job Name (DALLAS COWBOY STADIUM), Location (ARLINGTON, TEXAS), Customer (MANHATTAN CONSTRUCTION), and Architect (HKS).

REF: S2.311(ASI 076), S2.311M(ASI 053), S3.04(ASI 008), S10.33(ASI 008), S10.34(ASI 008), E205-SK1

PRINT RECORD table with columns for Date, Quan., For, Date, Quan., For.

Drawn and checked information table including DRAWN: RGY, CHECKED: ALY, JOB NO: 0639, CAD NO, and SHEET NO: E205.



PLAN MONUMENTAL STAIR MAIN TO MID-LEVEL CONCOURSE ~ SECTOR 11

G.C./ENGR.:
PLEASE NOTE DIMENSIONS AND EXPLANATIONS FOR THEIR ORIGINS. PLEASE REVIEW AND CORRECT ANY "AS-BUILT" OR DERIVED DIMENSIONS AS REQUIRED SO WE MAY COMPLETE THE DETAILS. PLEASE IGNORE ANY QUESTIONS PREVIOUSLY ANSWERED.

12-28-06

MONUMENTAL STAIR FRAMING SECTOR 11

Rev.	Date	Description	By

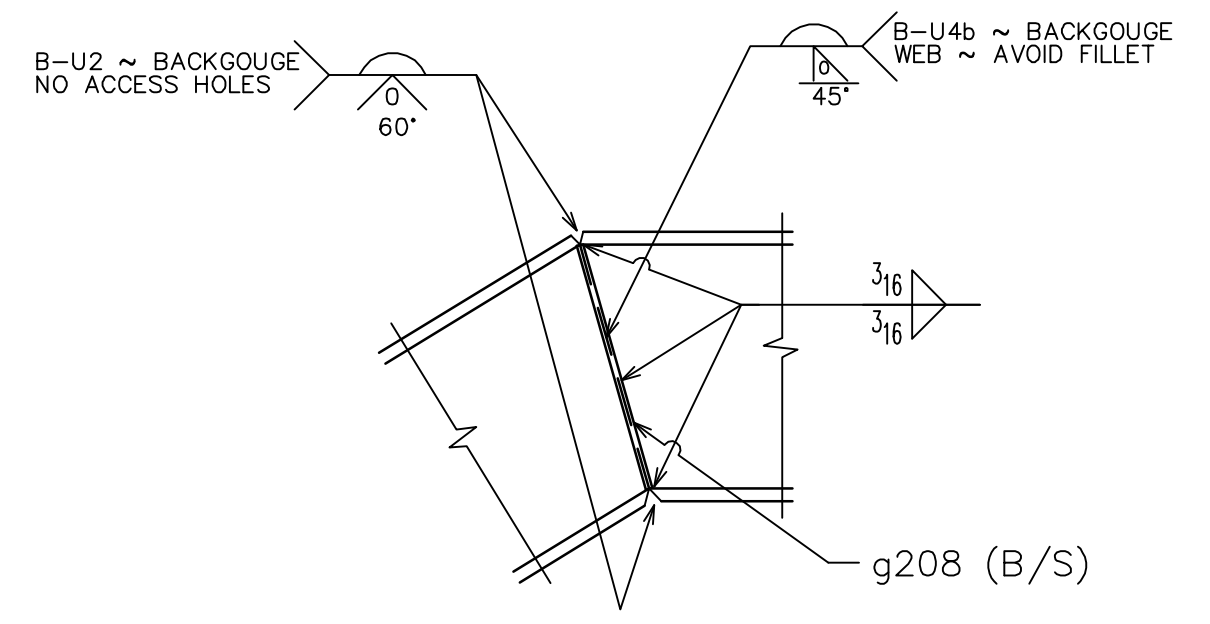
IRWIN STEEL
15740 Highway 114 ~ Justin, Texas 76247
Phone (817) 636-2508 ~ Fax (817) 636-2506

Job Name: DALLAS COWBOY STADIUM	
Location: ARLINGTON, TEXAS	
Customer: MANHATTAN CONSTRUCTION	
Architect: HKS	

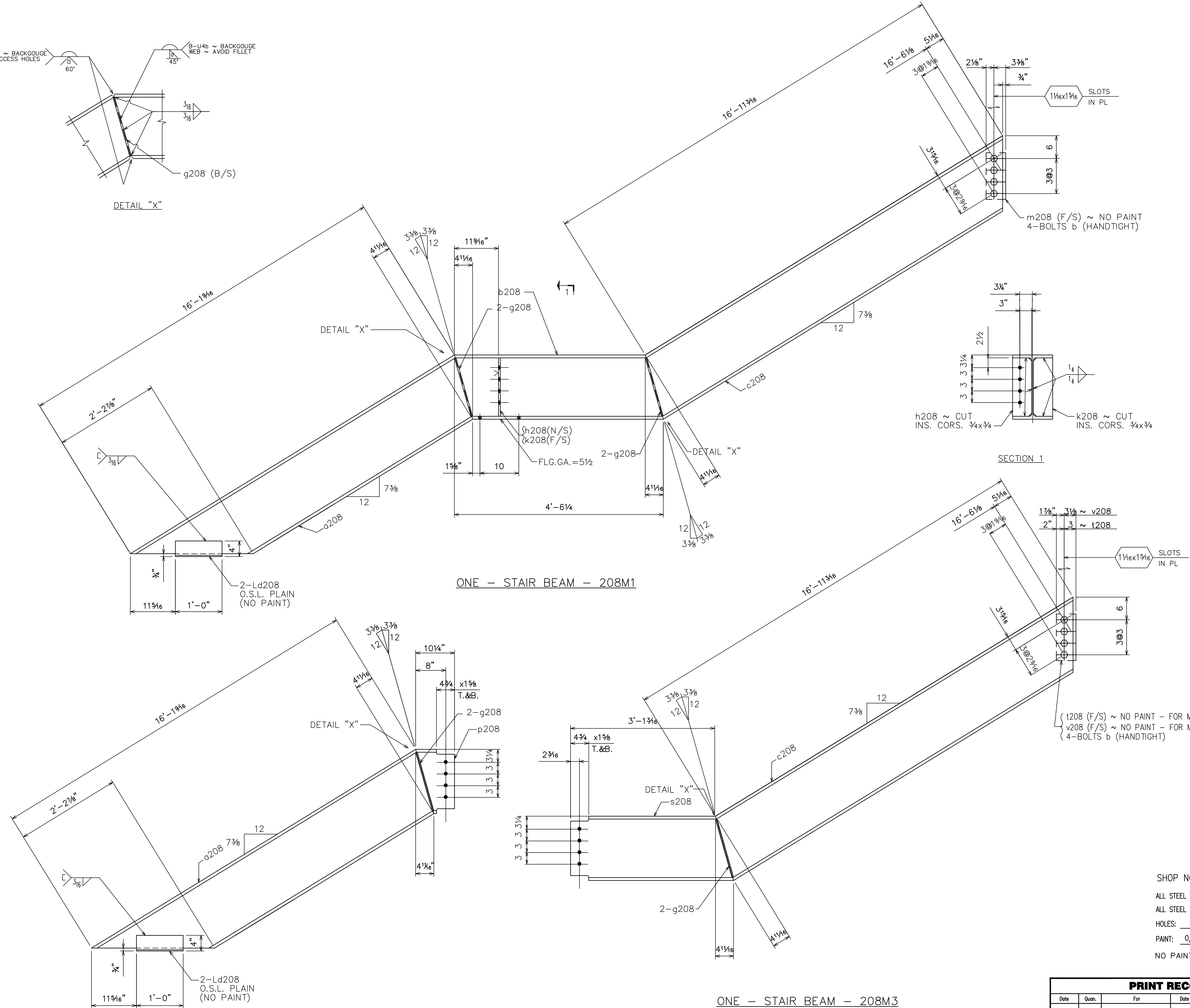
DRAWN: RGY	JOB NO: 0639	SHEET NO:	E205
CHECKED:	CAD NO:		

REF: S2.311, S2.311M, S10.33, S10.34

PRINT RECORD					
Date	Quan.	For	Date	Quan.	For



DETAIL "X"



ONE - STAIR BEAM - 208M1

ONE - STAIR BEAM - 208M3
ONE - STAIR BEAM - 208M4

2 - STAIR BEAMS - 208M2

Bill of Materials										
Line	Mark	No.	Tot	Description	Length		Piece Mark	Remarks	Weight	Order Item
					Ft	In				
1										
2										
3	208M1	ONE		STAIR BEAM						
4	1	1		W16x77	16	1 ⁹ / ₁₆	a208	(A992) BEV.2E.		
5	1	1		W16x77	4	6 ¹ / ₄	b208	(A992) BEV.2E.		
6	1	1		W16x77	17	3 ⁷ / ₈	c208	(A992) BEV.2E.		
7	2	2		L4x4x3/8	1	0	d208			
8	4	4		PL3/8x47/8	1	3 ¹ / ₂	g208			
9	1	1		PL3/8x47/8	1	3	h208			
10	1	1		PL3/8x47/8	1	3	k208			
11	1	1		PL3/8x51/2	1	0	m208			
12	4	4		1"φ A325 BOLTS	0	2 ¹ / ₂	b	W/N & ⊙		
13										
14										
15										
16										
17										
18										
19										
20										
21	208M2	2		STAIR BEAMS						
22	1	2					a208			
23	1	2		W16x77	0	10 ¹ / ₄	p208	(A992) BEV.1E.		
24	2	4					d208			
25	2	4					g208			
26										
27										
28										
29	208M3	ONE		STAIR BEAM						
30	208M4	ONE		STAIR BEAM						
31	1	2					c208			
32	1	2		W16x77	3	5 ⁷ / ₈	s208	(A992) BEV.2E.		
33	2	4					g208			
34	1	1		PL3/8x5	1	0	t208	FOR M3		
35	1	1		PL3/8x5	1	0	v208	FOR M4		
36	4	8					b			
37										
38										
39										
40										
41										
42										
43										
44										
45										
46										
47										
48										
49										
50										
FIELD BOLTS				4 7/8 A325 x 2 1/4						

SHOP NOTES
 ALL STEEL AESS.
 ALL STEEL A36 U.N.
 HOLES: 15/16" U.N.O.
 PAINT: O/C SHOP PRIMER (U/N)
 NO PAINT TOP OF TOP FLANGE

STEEL DETAILS~MONUMENTAL STAIR FRAMING SECTOR 11 DATE 6-15-07

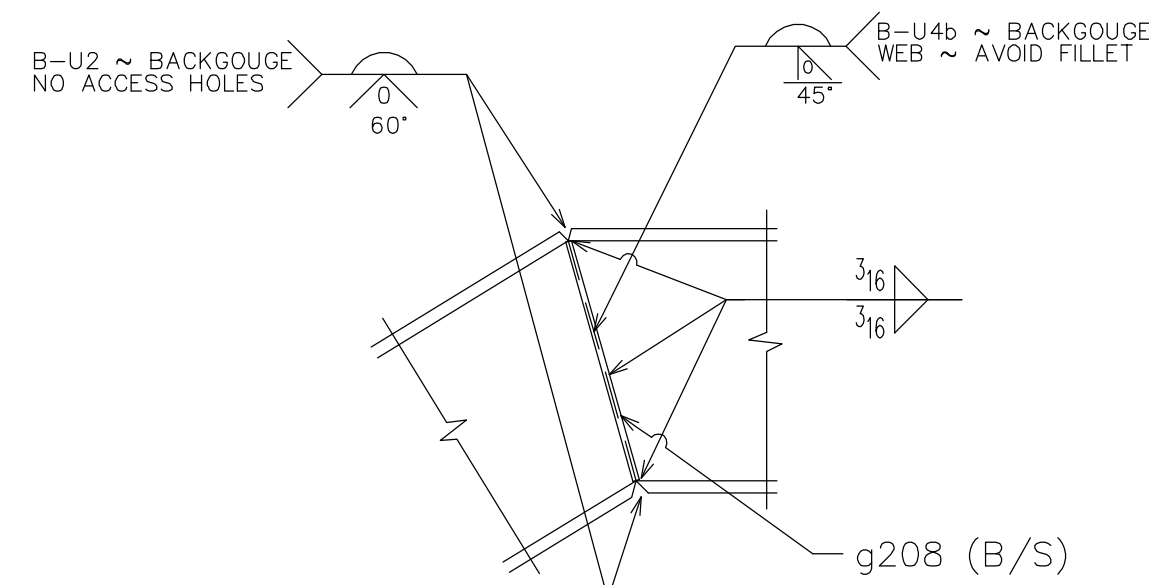
Rev.	Date	Description	By

IRWIN STEEL
 15740 Highway 114 ~ Justin, Texas 76247
 Phone (817) 636-2508 ~ Fax (817) 636-2506

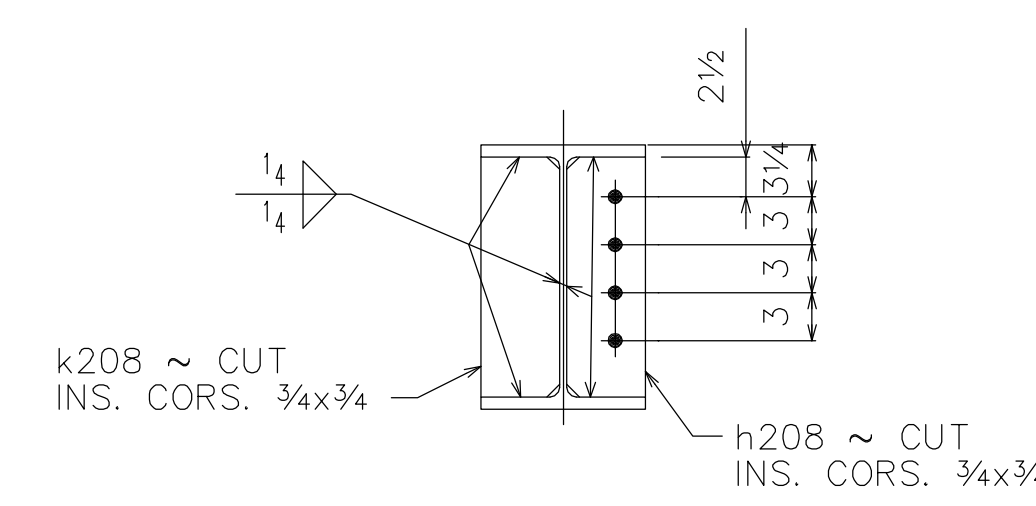
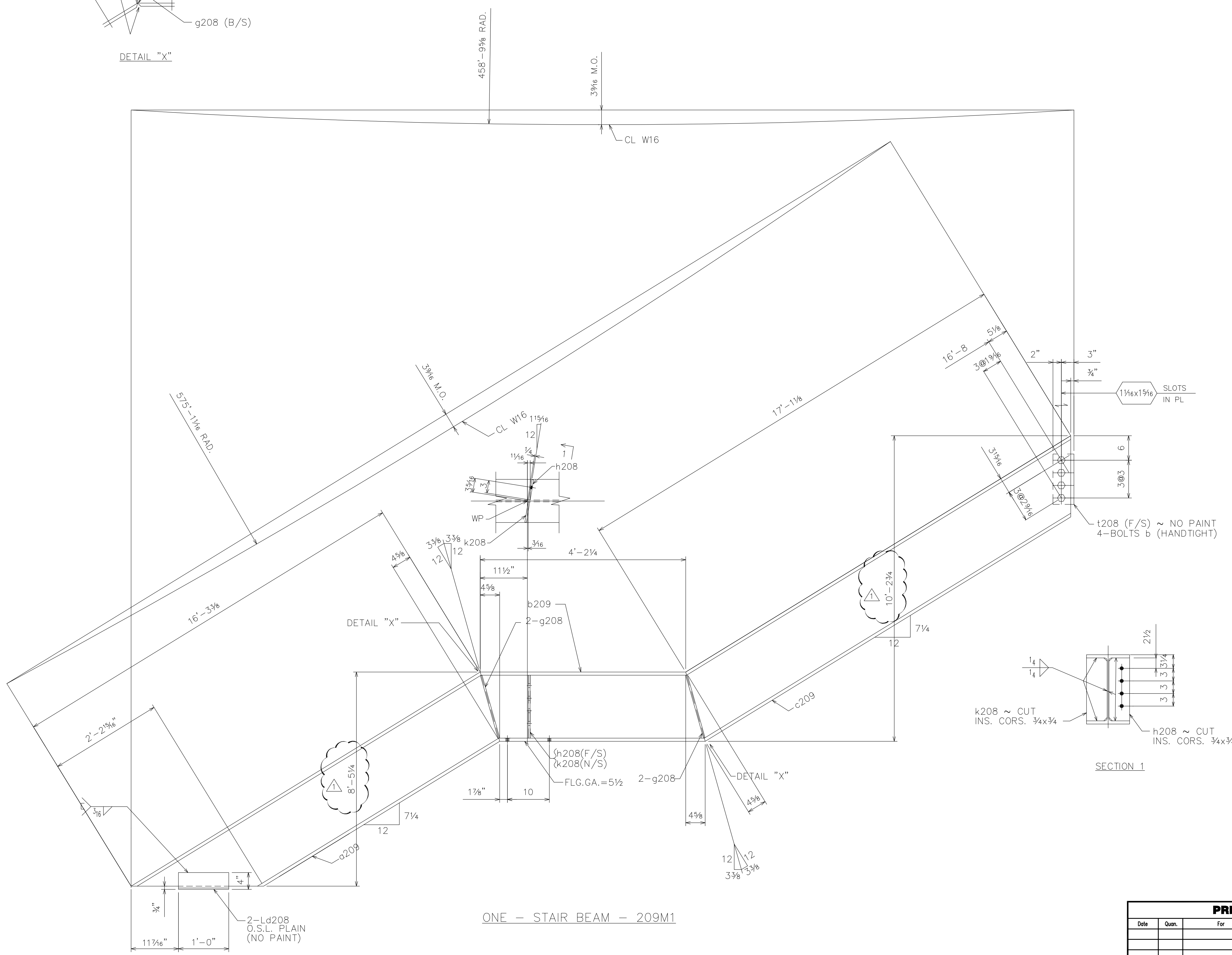
Job Name: DALLAS COWBOY STADIUM
 Location: ARLINGTON, TEXAS
 Customer: MANHATTAN CONSTRUCTION
 Architect: HKS

PRINT RECORD					
Date	Quan.	For	Date	Quan.	For

DRAWN: RGY JOB NO: 0639 SHEET NO. 208
 CHECKED: ALY CAD NO:



DETAIL "X"



Bill of Materials										
Line	Mark	No.	Tot	Description	Length		Piece Mark	Remarks	Weight	Order Item
					Ft	In				
1										
2										
3	209M1	ONE		STAIR BEAM						
4	1	1		W16x77	16	3 3/8	c209	(A992) ROLLED,BEV.2E.		
5	1	1		W16x77	4	6 7/8	b209	(A992) ROLLED,BEV.2E.		
6	1	1		W16x77	17	5 1/4	c209	(A992) ROLLED,BEV.2E.		
7	2	2		L4x4x3/8	1	0	d208			
8	4	4		PL 3/8x4 7/8	1	3 1/2	g208			
9	1	1		PL 3/8x4 7/8	1	3	h208			
10	1	1		PL 3/8x4 7/8	1	3	k208			
11	1	1		PL 3/8x5	1	0	l208			
12	4	4		1" Ø A325 BOLTS	0	2 1/2	b	W/N & Ⓞ		
13										
14										
15										
16										
17										
18										
19										
20										
21										
22										
23										
24										
25										
26										
27										
28										
29										
30										
31										
32										
33										
34										
35										
36										
37										
38										
39										
40										
41										
42										
43										
44										
45										
46										
47										
48										
49										
50										
FIELD BOLTS				4 7/8 A325 x 2 1/4						

SHOP NOTES

ALL STEEL AESS.

ALL STEEL A36 U.N.

HOLES: 15/16" U.N.O.

PAINT: O/C SHOP PRIMER (U/N)

NO PAINT TOP OF TOP FLANGE

STEEL DETAILS~MONUMENTAL STAIR FRAMING SECTOR 11

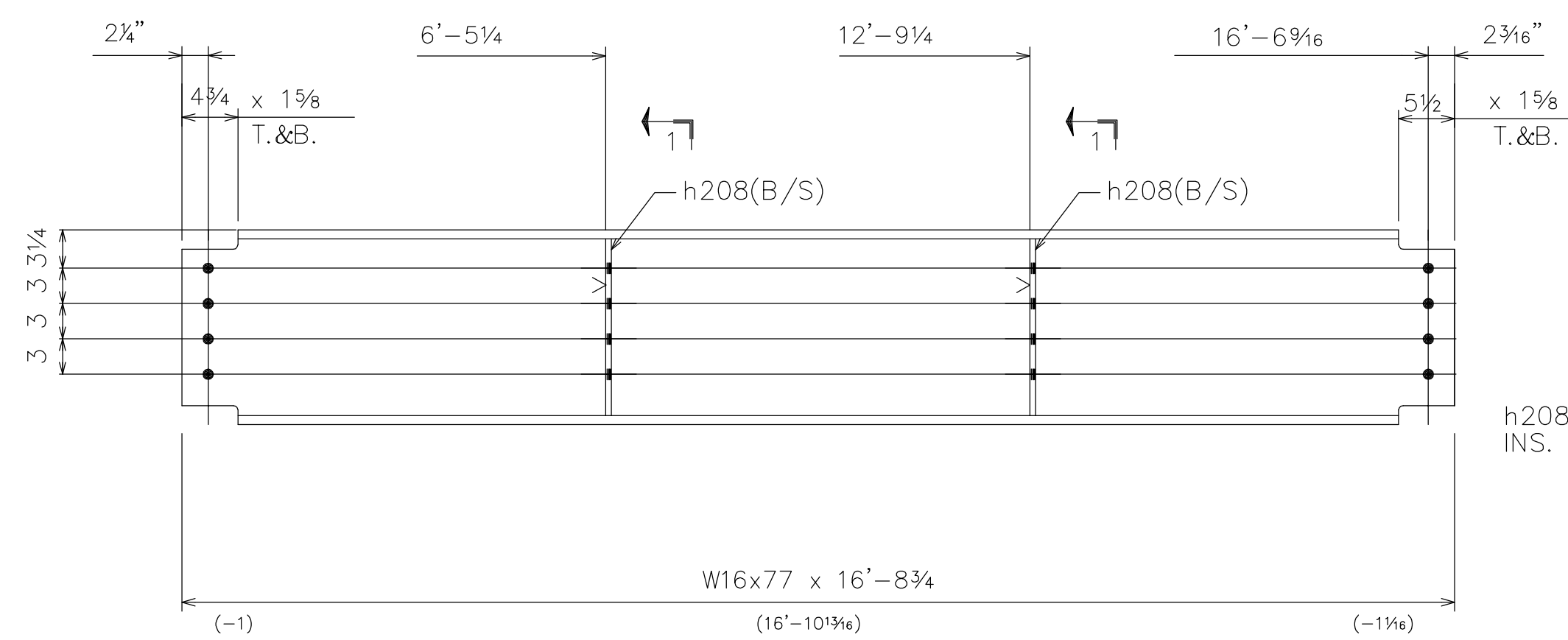
DATE 6-18-07

Rev.	Date	Description	By
7-12		VERT. DIMS. ADDED	ALY

IRWIN STEEL
 15740 Highway 114 ~ Justin, Texas 76247
 Phone (817) 636-2508 ~ Fax (817) 636-2506

PRINT RECORD					
Date	Quan.	For	Date	Quan.	For

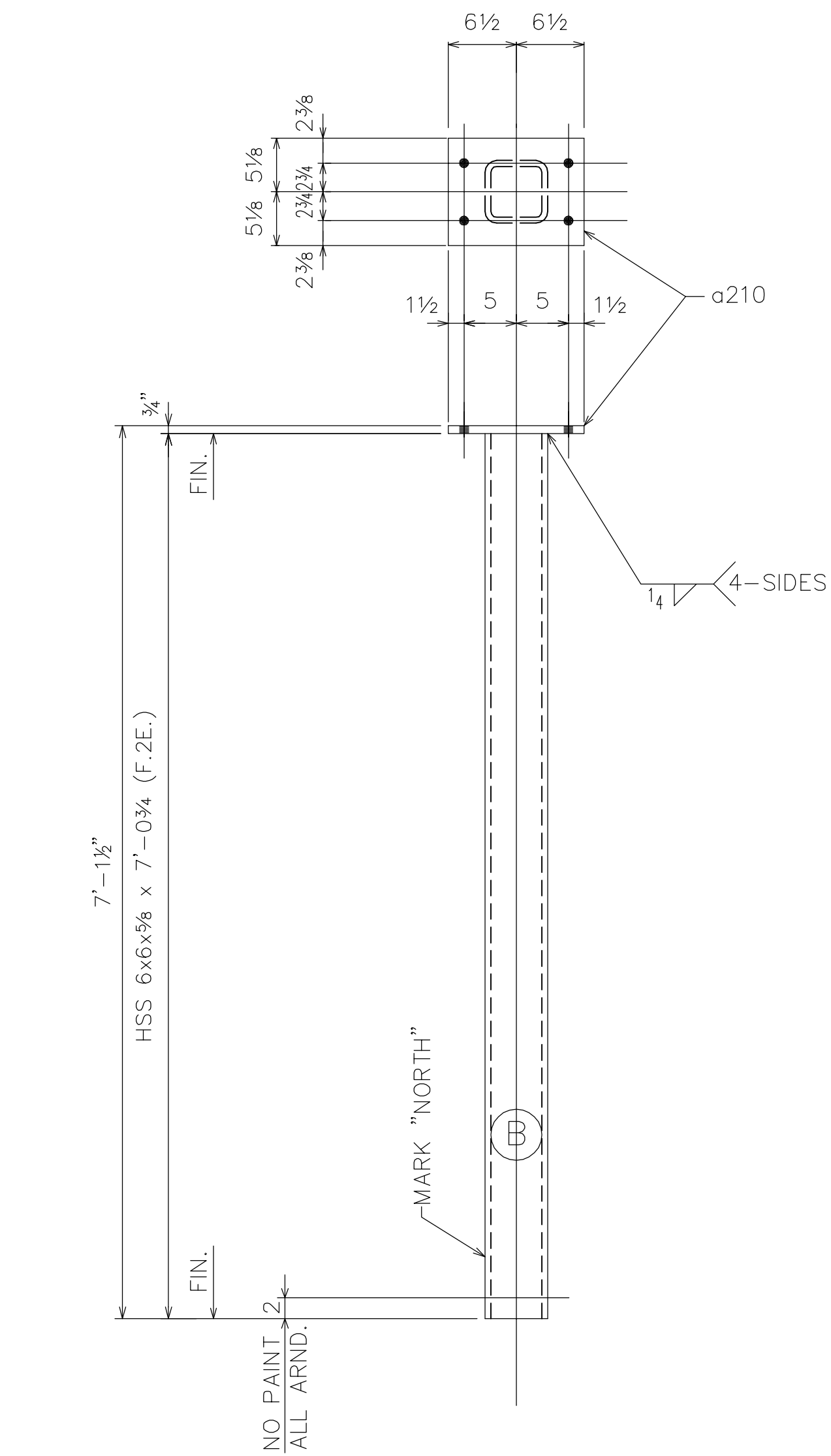
Job Name:	DALLAS COWBOY STADIUM
Location:	ARLINGTON, TEXAS
Customer:	MANHATTAN CONSTRUCTION
Architect:	HKS
DRAWN:	RGY
CHECKED:	ALY
JOB NO:	0639
CAD NO:	
SHEET NO.	209



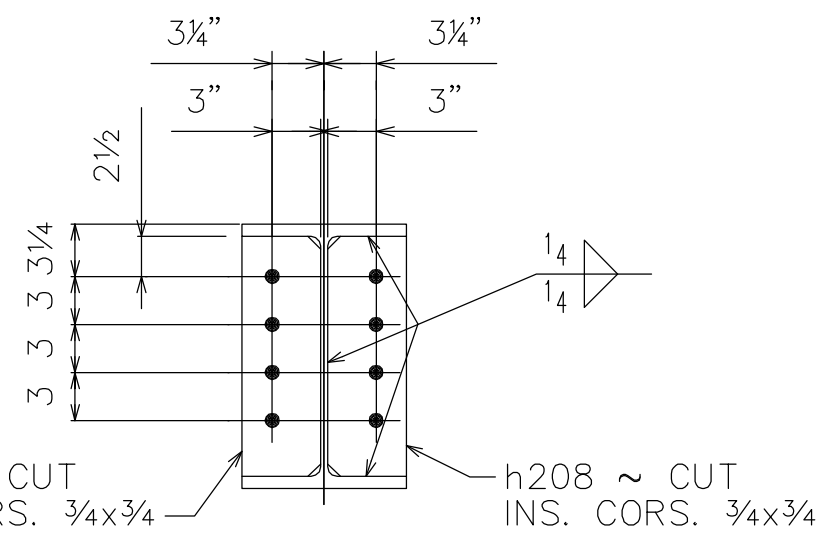
W16x77 x 16'-8 3/4"

(16'-10 1/16")

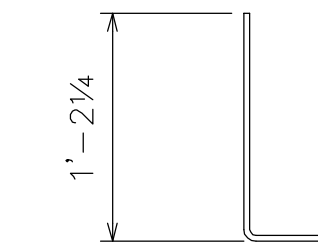
ONE - BEAM - 210B1



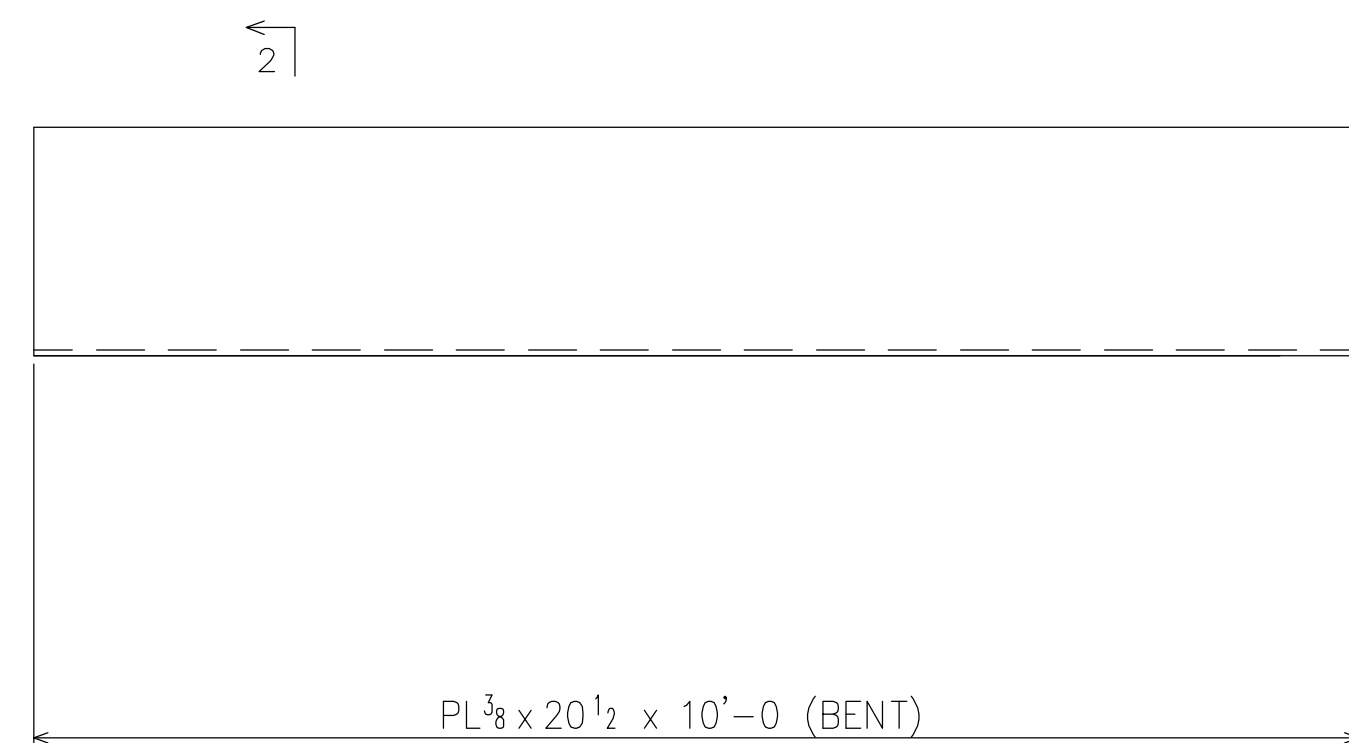
2 - COLUMNS - 210C2



SECTION 1



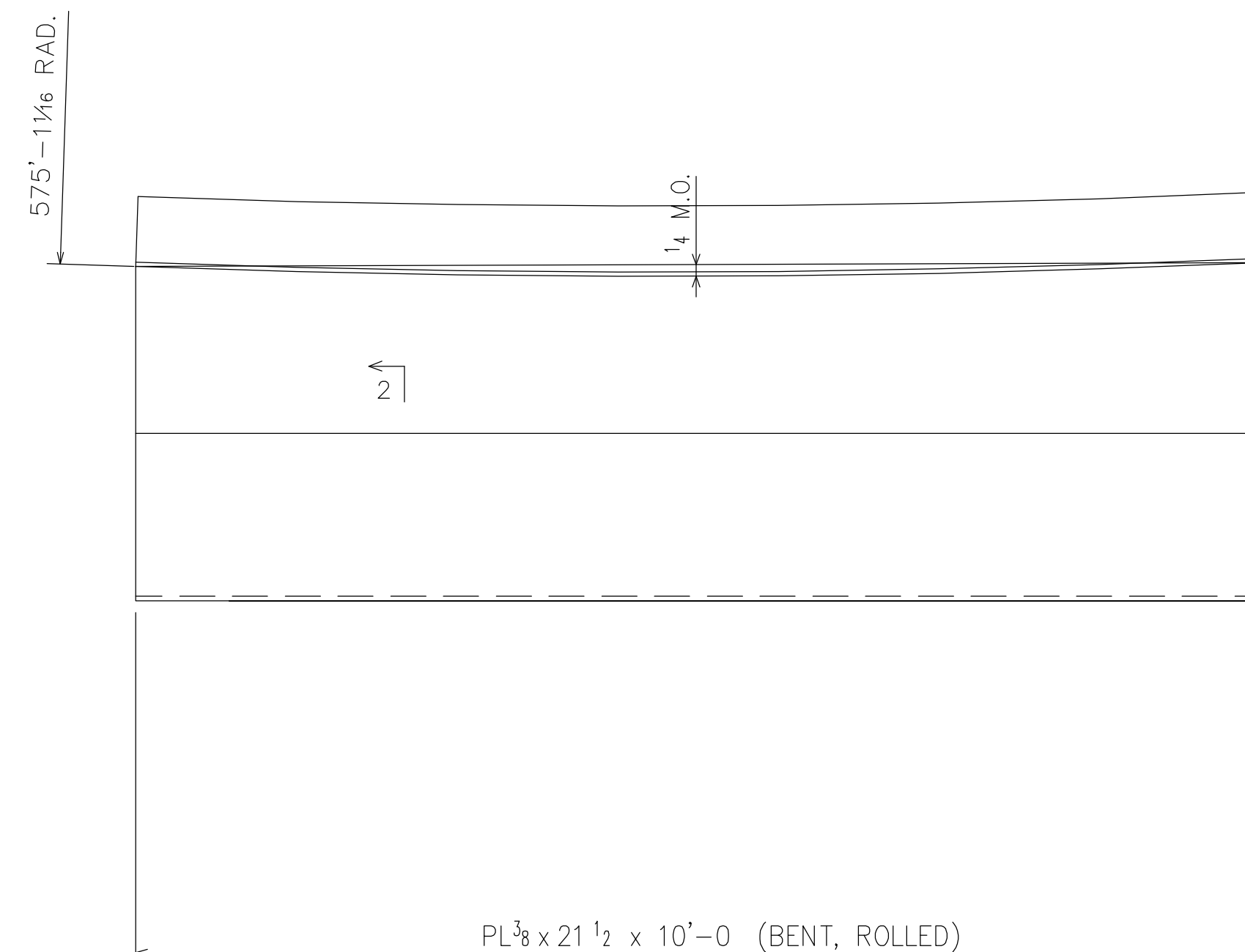
SECTION 2



PL 3/8 x 20 1/2 x 10'-0 (BENT)

4 - PLATES - 210M3

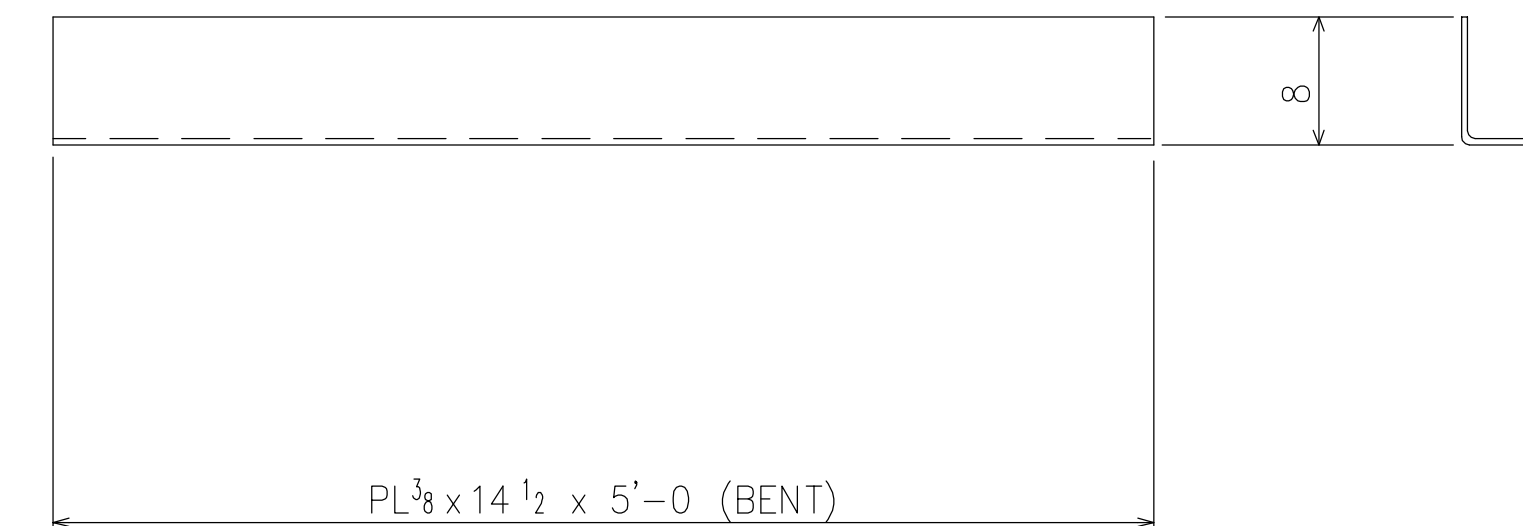
SHOP NOTE:
NO PAINT



PL 3/8 x 21 1/2 x 10'-0 (BENT, ROLLED)

4 - PLATES - 210M4

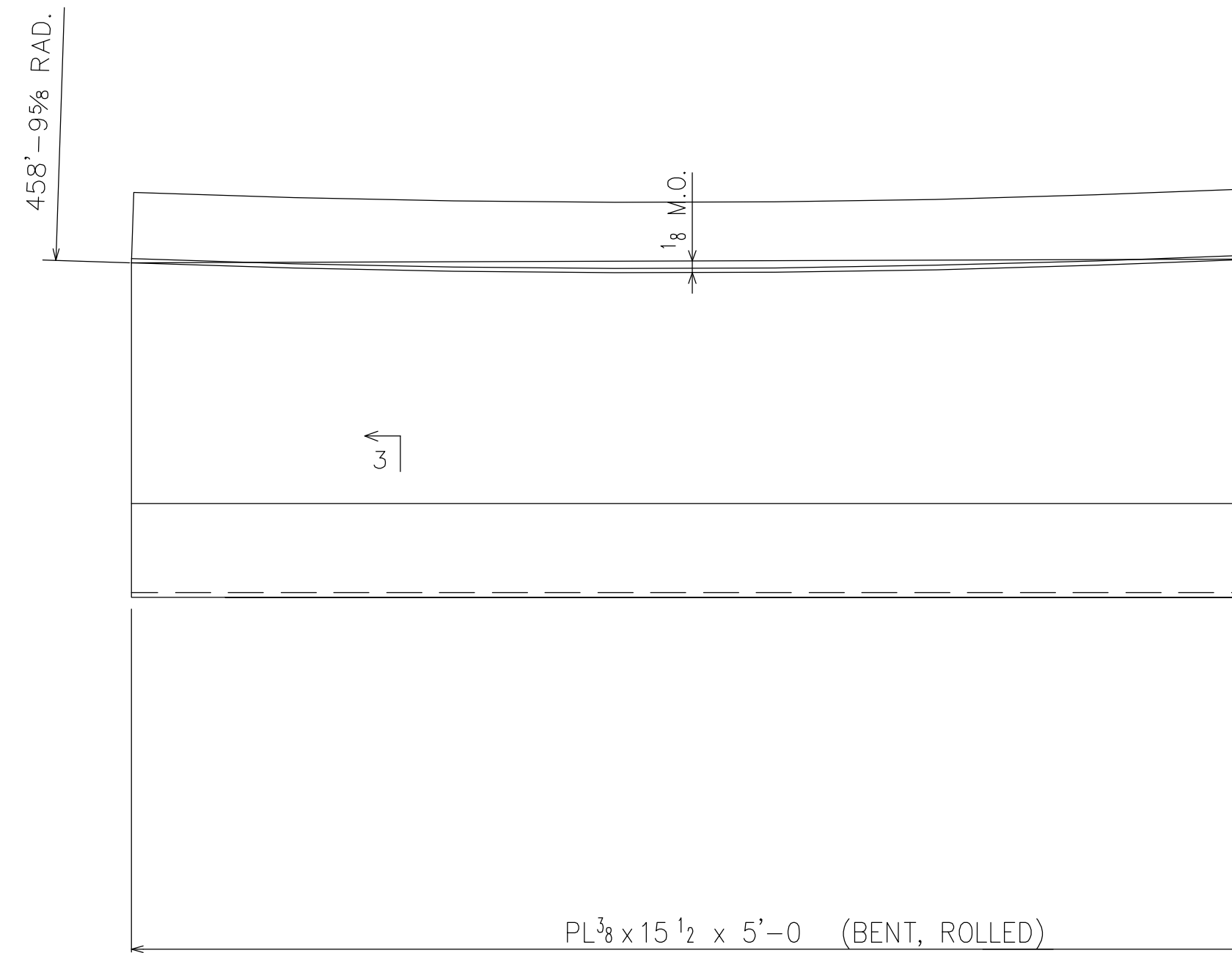
SHOP NOTE:
NO PAINT



PL 3/8 x 14 1/2 x 5'-0 (BENT)

ONE - PLATE - 210M5

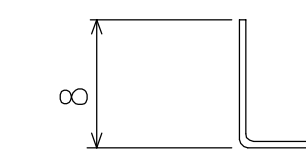
SHOP NOTE:
NO PAINT



PL 3/8 x 15 1/2 x 5'-0 (BENT, ROLLED)

ONE - PLATE - 210M6

SHOP NOTE:
NO PAINT



SECTION 3

Bill of Materials

Line	Mark	No.	Tot	Description	Length		Piece Mark	Remarks	Weight	Order Item
					Ft	In				
1	210B1	ONE		BEAM						
2		1	1	W16x77	16	8 3/4		210B1 (A992)		
3		4	4	PL 3/8 x 4 7/8	1	3		h208		
4										
5										
6	210C2	2		COLUMN						
7		1	2	HSS 6x6x3/8	7	0 3/4		210C2 (A500B) FIN. 2E.		
8		1	2	PL 3/4 x 10 1/4	1	0		a210		
9										
10										
11										
12	210M3	4		PLATE						
13		1	4	PL 3/8 x 20 1/2	10	0		210M3 BENT		
14										
15										
16										
17										
18	210M4	4		PLATE						
19		1	4	PL 3/8 x 21 1/2	10	0		210M4 BENT, ROLLED		
20										
21										
22										
23										
24	210M5	ONE		PLATE						
25		1	1	PL 3/8 x 14 1/2	5	0		210M5 BENT		
26										
27										
28										
29										
30	210M6	ONE		PLATE						
31		1	1	PL 3/8 x 15 1/2	5	0		210M6 BENT, ROLLED		
32										
33										
34										
35										
36										
37										
38										
39										
40										
41										
42										
43										
44										
45										
46										
47										
48										
49										
50										
FIELD BOLTS				16 7/8 A325 x 2 1/4	8 7/8 A325 x 2 3/4					

SHOP NOTES

- ALL STEEL AESS.
- ALL STEEL A36 U.N.
- HOLES: 15/16" U.N.O.
- PAINT: 0/C SHOP PRIMER (U/N)
- NO PAINT TOP OF TOP FLANGE

STEEL DETAILS~MONUMENTAL STAIR FRAMING SECTOR 11

DATE
6-18-07

Rev.	Date	Description	By

IRWIN STEEL
15740 Highway 114 ~ Justin, Texas 76247
Phone (817) 636-2508 ~ Fax (817) 636-2506

Job Name: DALLAS COWBOY STADIUM
Location: ARLINGTON, TEXAS
Customer: MANHATTAN CONSTRUCTION
Architect: HKS

DRAWN: RGY JOB NO: 0639 SHEET NO:
CHECKED: ALY CAD NO: 210

PRINT RECORD

Date	Quan.	For	Date	Quan.	For