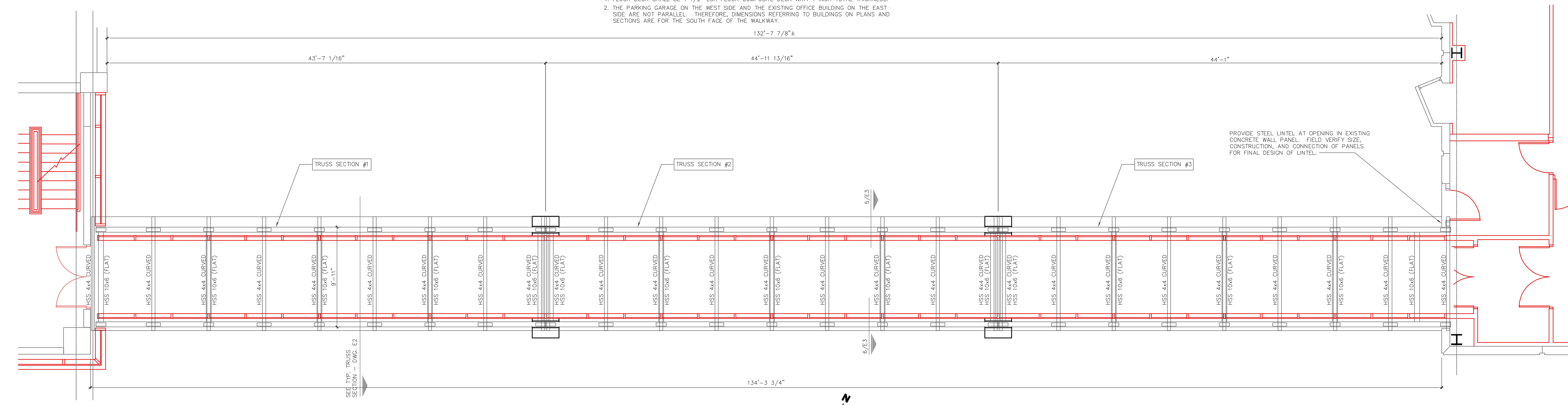


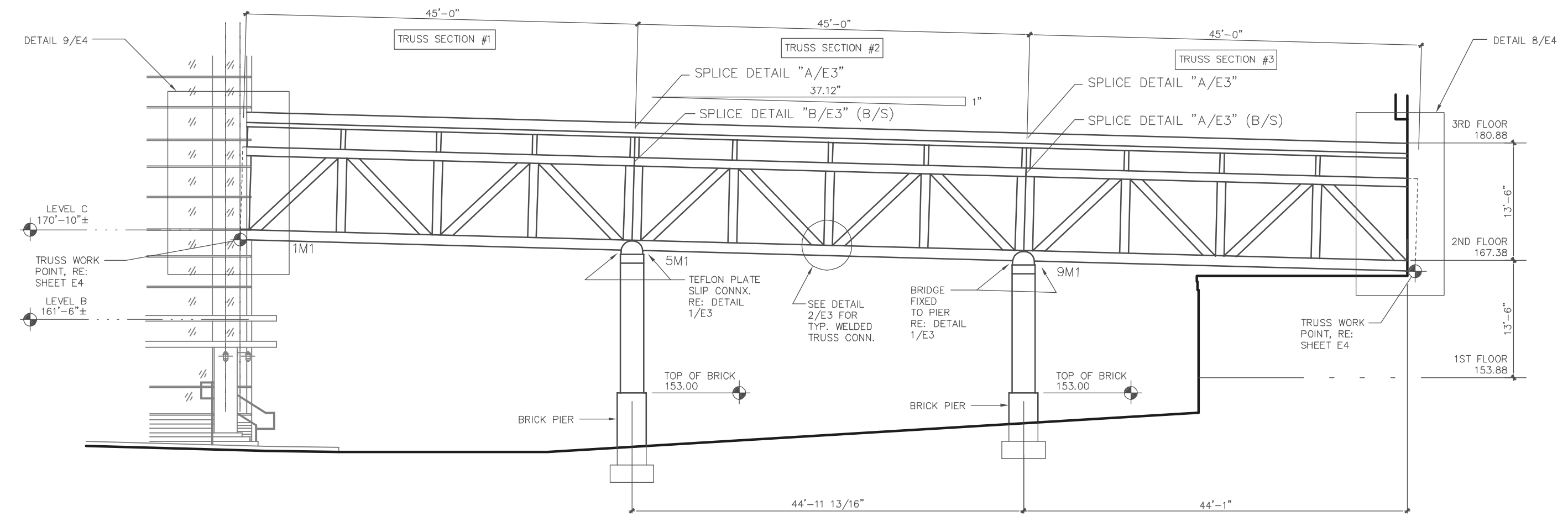
FLOOR FRAMING PLAN

- FLOOR DECK SHALL BE 1 1/2" LOK FLOOR COMPOSITE DECK WITH 4 INCH TOTAL THICKNESS.
- THE PARKING GARAGE ON THE WEST SIDE AND THE EXISTING OFFICE BUILDING ON THE EAST SIDE ARE NOT PARALLEL. THEREFORE, DIMENSIONS REFERRING TO BUILDINGS ON PLANS AND SECTIONS ARE FOR THE SOUTH FACE OF THE WALKWAY.



ROOF FRAMING PLAN

- ROOF DECK SHALL BE EPIC EP324 18/18 WDECK AS MFG. BY EPIC METALS CORP. OR EQUAL. NOT BY SCHLOSSER STEEL.



SOUTH ELEVATION

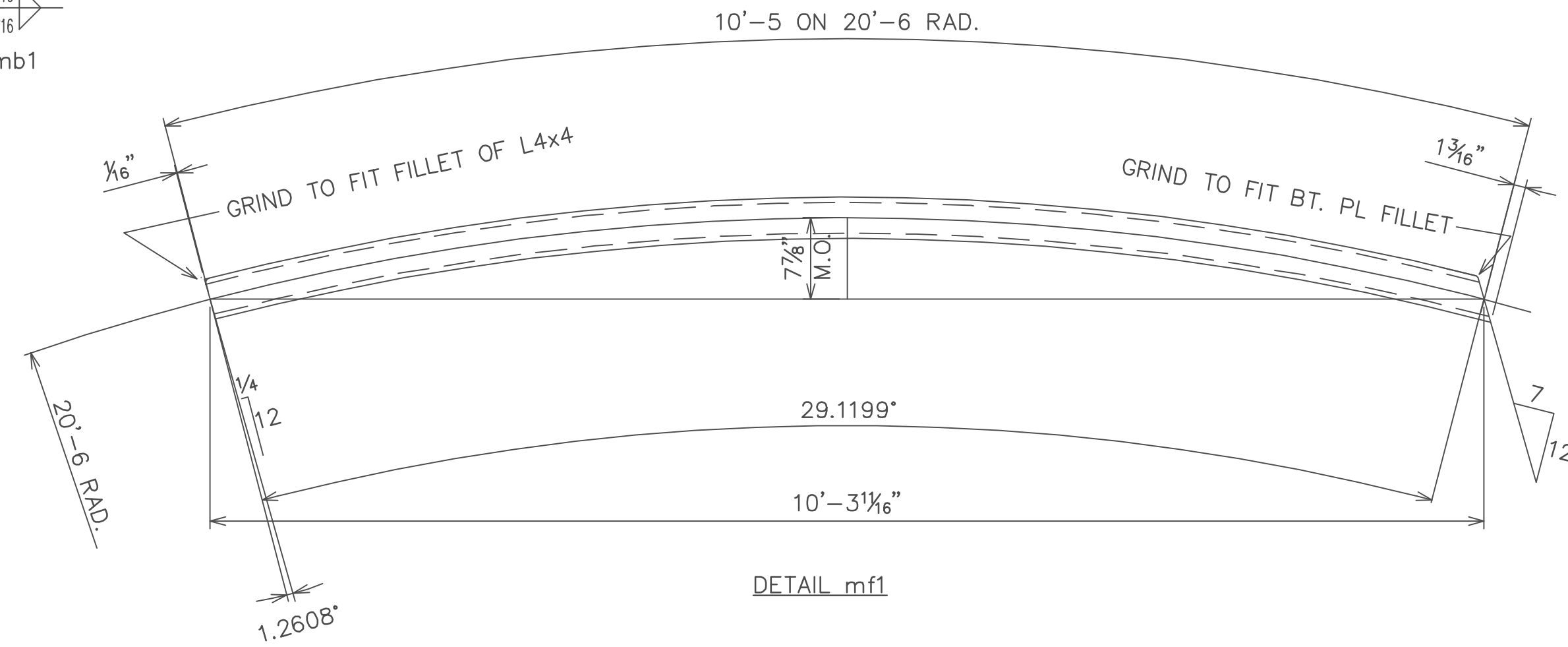
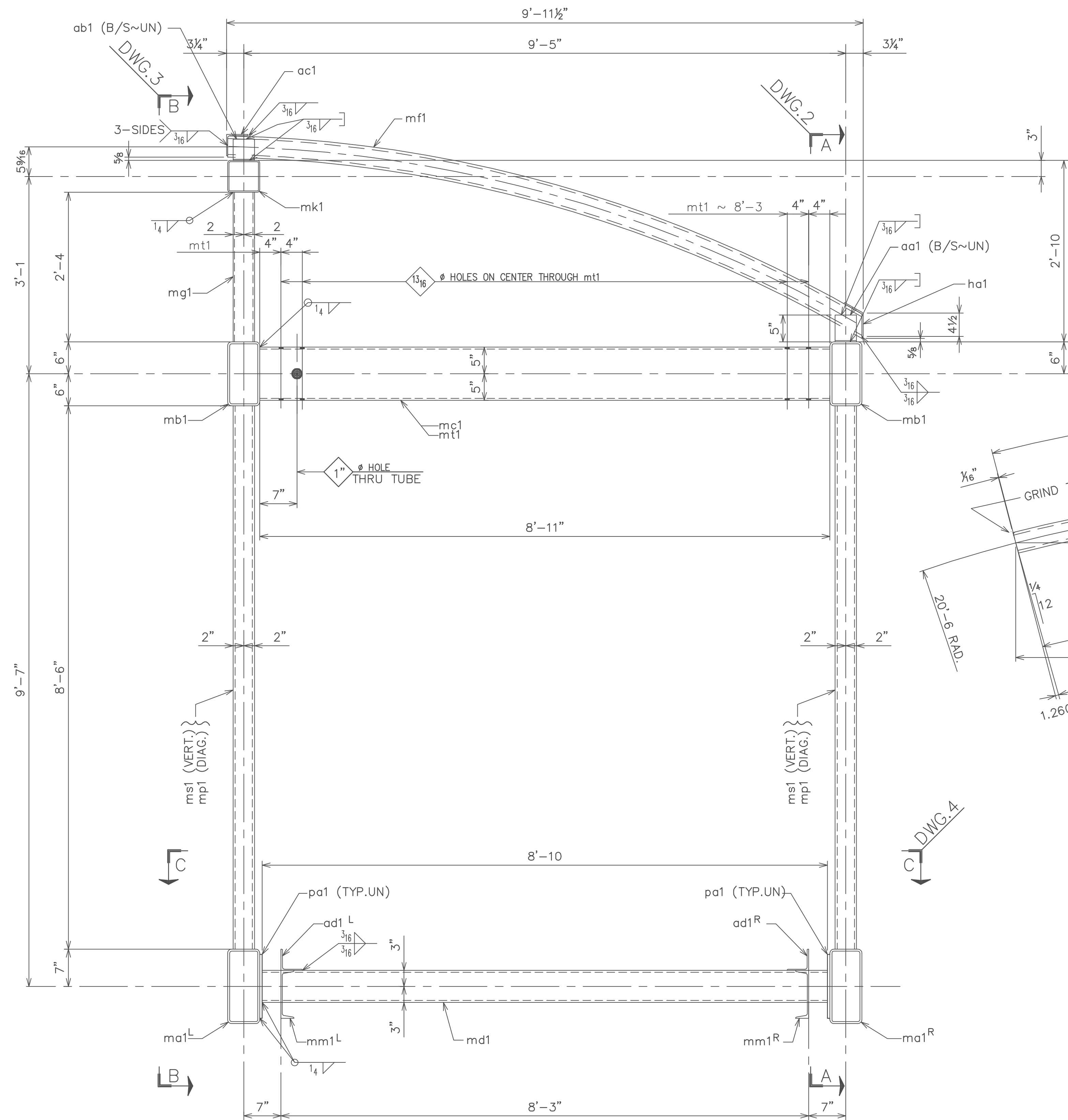
MAT'L: A36 STEEL (U/N)
 SURF. PREP: SSPC-SP3
 PAINT: BY OTHERS
 ALL A572-50 & A992 MATERIAL TO BE WELDED w/ LOW HYDROGEN

This Drawing Represents An Approval Of The Following	
<input type="checkbox"/> JOIST	<input type="checkbox"/> DECK
<input checked="" type="checkbox"/> STRUCTURAL STEEL	
SUBMISSION NO. _____	
DATE: _____	
In order for Schlosser Steel to meet our committed delivery on this project, completely approved drawings with all requested information must be returned to our office by _____ Delays beyond this date will result in delivery delays.	

REVISIONS		
REV. NO.	DATE	DESCRIPTION
1	1/6/03	PER APPROVAL & CHECKING

SCHLOSSER STEEL, Inc. Structural Steel Fabricators 2641 Township Line Road Hatfield, Pa.	
PLAN OF BRIDGE P.P. & L. CORP. ~ SKYWALK PARKING GARAGE TO NORTH BUILDING ALLENTOWN, PA	
WELD ELEC'T: E70XX HOLES: AS NOTED MADE BY SAI CHK'D. BY RGY	ORDER NO. C5286 SHEET NO. E1 DATE 11-21-02





ONE ~ BRIDGE ~ 1M1
LOOKING WEST

BILL OF MATERIAL

BUILDING					NO.	SHAPE	LENGTH		MARK	REMARKS	WT.
A	B	C	D	E			FT	IN			
					ONE	BRIDGE			1M1		26218
					2	HSS 14x6x3/8	44	11 1/4	ma1 ^R	SQ.2E.(A500-B)	
					2	HSS 12x6x3/8	44	11 1/4	mb1 ^R	SQ.2E.(A500-B)	
					4	HSS 10x6x3/8	8	11	mc1	SQ.2E.(A500-B)	
					9	HSS 6x4x3/8	8	10	md1	SQ.2E.(A500-B)	
					9	HSS 4x4x1/2	10	6 1/4	mf1	ROLLED(A500-B)	
					9	HSS 6x4x1/4	2	4	mg1	SQ.2E.(A500-B)	
					1	HSS 6x6x1/4	45	5 1/2	mk1	SQ.2E.(A500-B)	
					1/1	C9x13.4	45	2 1/2	mm1 ^R	SQ.2E.	
					8	HSS 12x4x3/8	12	9 1/4	mp1	BEV.2E.	
					10	HSS 12x4x3/8	8	6	ms1	SQ.2E.	
					1	HSS 10x6x3/8	8	11	mt1	SQ.2E.	
					16	L5x3x3/8	0	4	aa1		
					16	L4x4x3/8	0	4	ab1		
					1	L4x4x1/4	45	6	ac1	SQ.2E.	
					1/1	L4x4x1/4	45	2 1/2	ad1 ^R		
					1/1	L4x4x3/8	8	10 3/4	af1 ^R	BEV.2E.	
					3/3	L4x4x3/8	9	2 1/4	ag1 ^R	BEV.2E.	
					1	L4x4x1/4	8	2	ak1		
					14	PL 1/2x12	1	0	pa1		
					4	PL 3/8x6	1	2	pb1		
					4	PL 3/8x6	1	0	pc1		
					2	PL 1/4x6	0	6	pd1		
					2	PL 1/2x12	1	4	pf1		
					2	PL 1/2x4	0	4	pg1		
					1	PL 1/4x8	45	6	ha1	BENT	
					2	TAPERED SOLE PL			TP1	SEE ADV-2	
					2	TAPERED SOLE PL			TP2	SEE ADV-2	
					4	SLIDE PL 1/2x6	0	7 1/2	SP1	SEE ADV-2	
					2	PL 1/2x12	1	4	ph1		
					2	PL 1/2x4	0	5	pk1		
					1	3/4\"/>					

FIELD BOLTS			
-------------	--	--	--

MAT'L: A36 STEEL (U/N)
SURF. PREP: SSPC-SP3
PAINT: BY OTHERS
ALL A572-50 & A992 MATERIAL TO BE WELDED w/ LOW HYDROGEN
ALL MATERIAL AESS

WORK THIS DWG. WITH DWGS. 2, 3 & 4

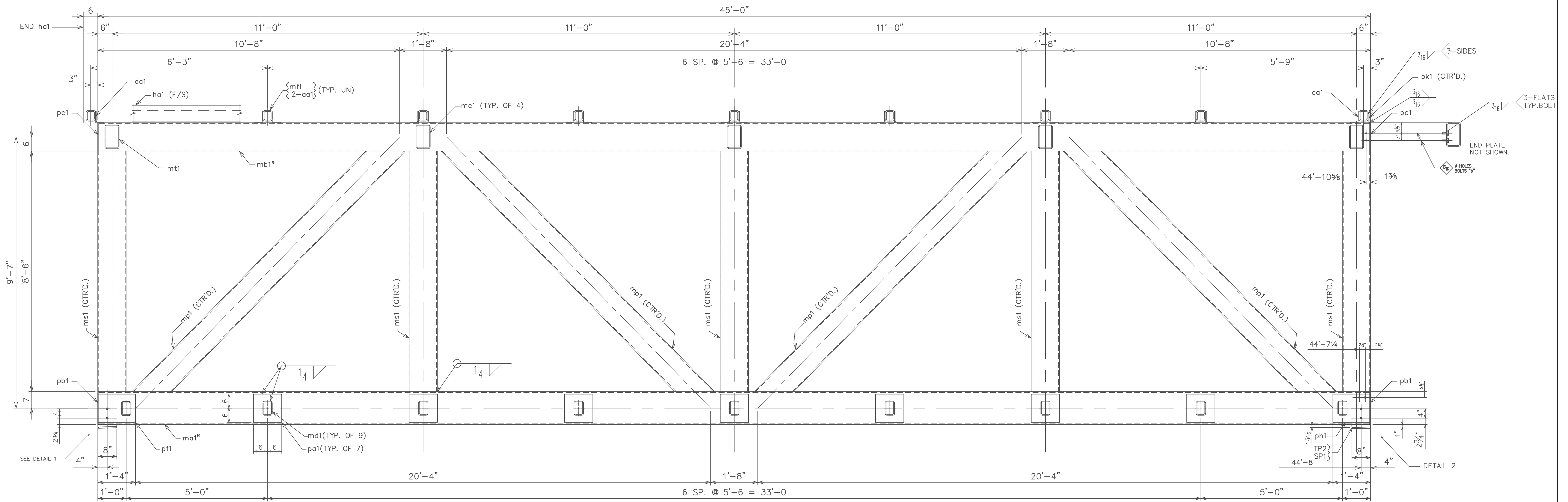
This Drawing Represents An Approval Of The Following
 JOIST DECK
 STRUCTURAL STEEL
 SUBMISSION NO. _____
 DATE: _____
 In order for Schlosser Steel to meet our committed delivery on this project, completely approved drawings with all requested information must be returned to our office by _____ Delays beyond this date will result in delivery delays.

REVISIONS		
REV. NO.	DATE	DESCRIPTION

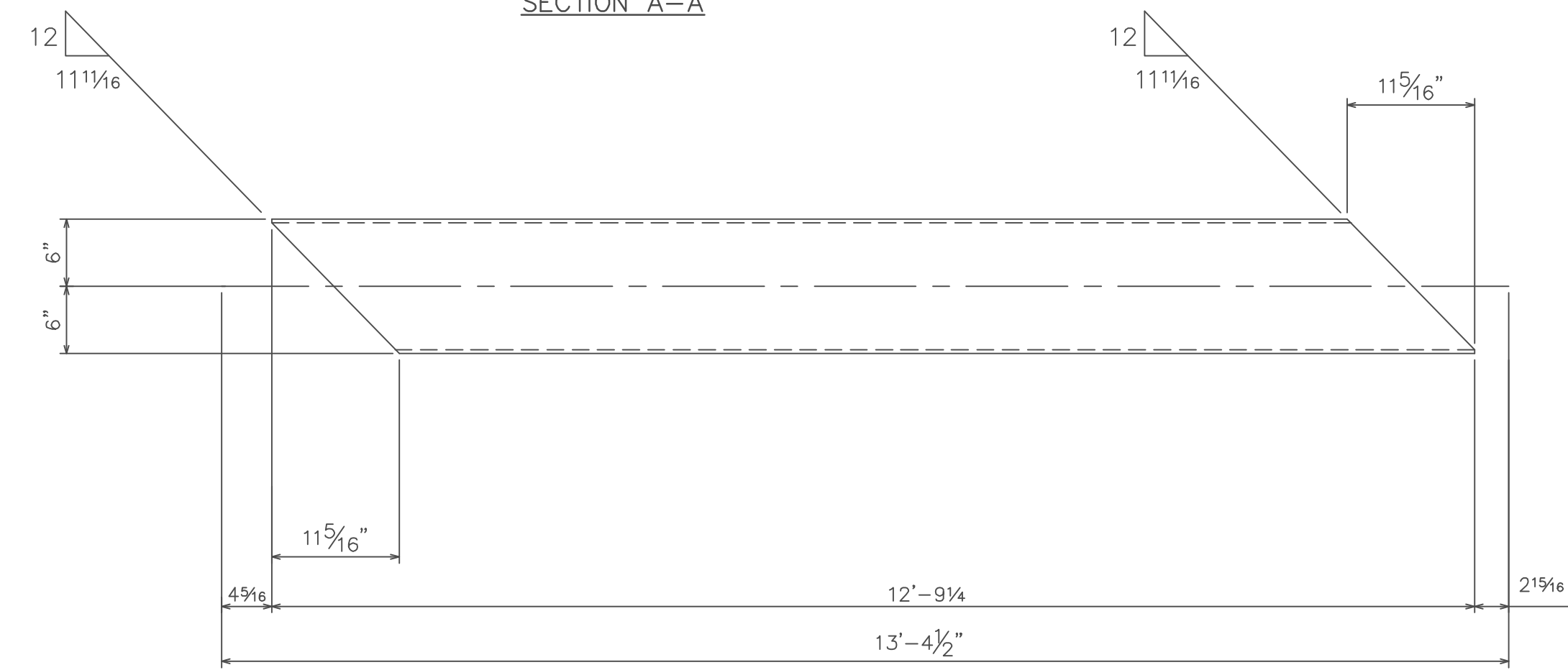
PRINT RECORD				SCHLOSSER STEEL, Inc. Structural Steel Fabricators 2641 Township Line Road Hatfield, Pa.
NO.	DT.	TO	FOR	
BRIDGE DETAILS P.P. & L. CORP. ~ SKYWALK PARKING GARAGE TO NORTH BUILDING ALLENTOWN, PA				ORDER NO. C5286 SHEET NO. 1 DATE 11-26-02
WELD ELECT: E70XX HOLES: AS NOTED MADE BY RGY CHK'D. BY ALY				



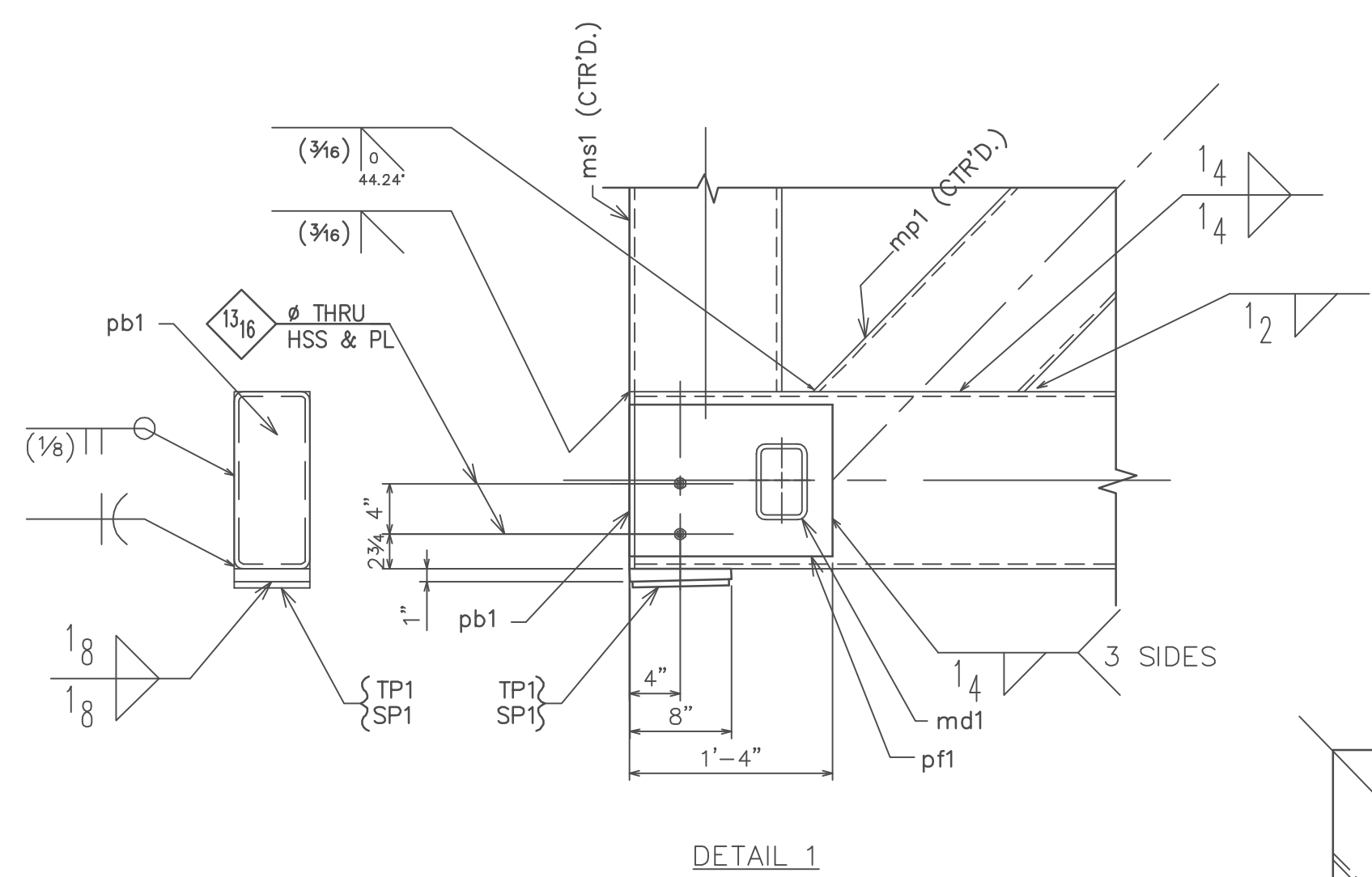
ACTIVE MEMBER CATEGORY
COMPLEX STEEL BUILDING STRUCTURES CERTIFIED



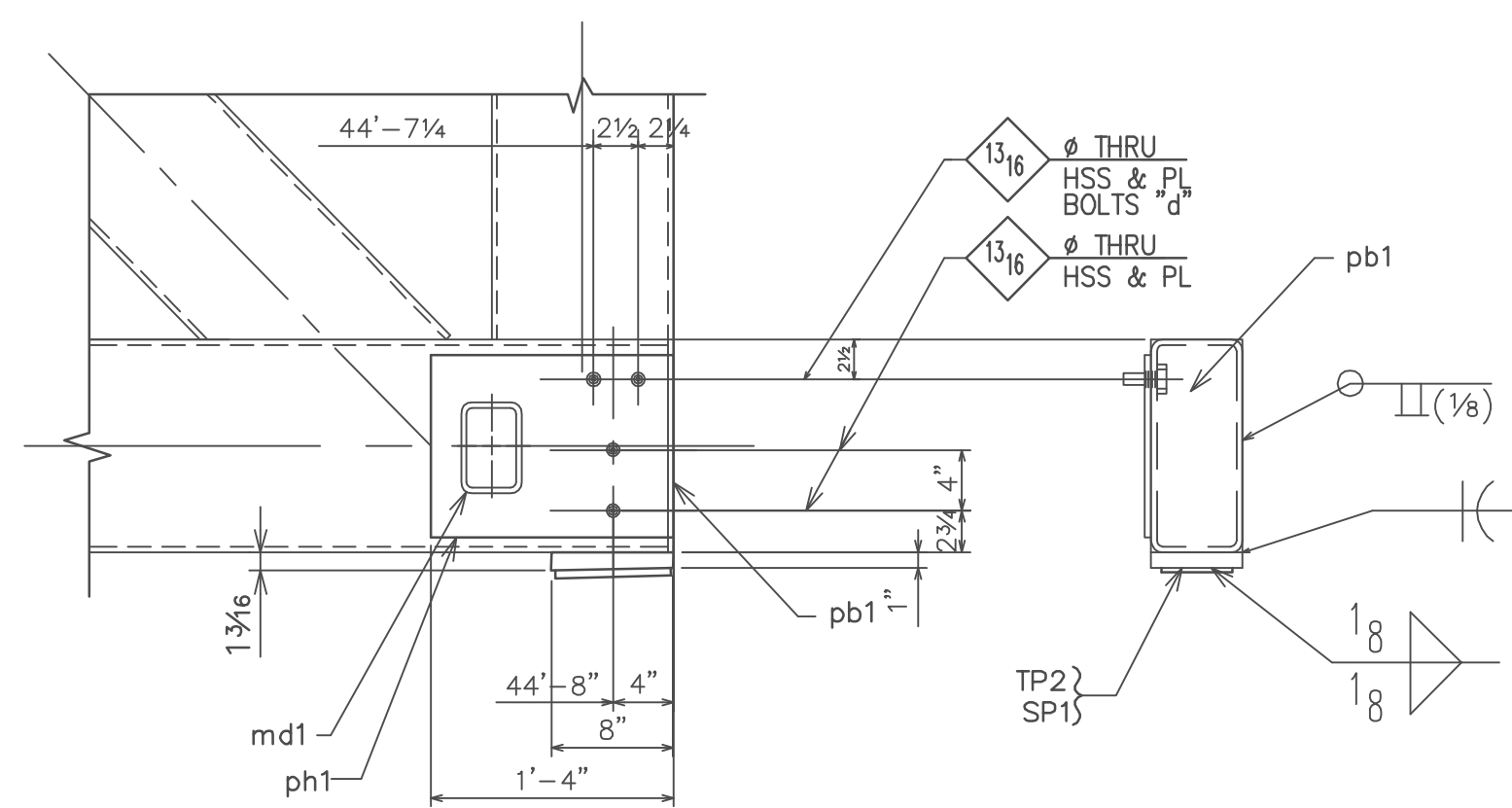
SECTION A-A



MAT'L: A36 STEEL (U/N)
 SURF. PREP: SSPC-SP3
 PAINT: BY OTHERS
 ALL A572-50 & A992 MATERIAL TO BE
 WELDED w/ LOW HYDROGEN
 ALL MATERIAL AESS



DETAIL 1



DETAIL 2

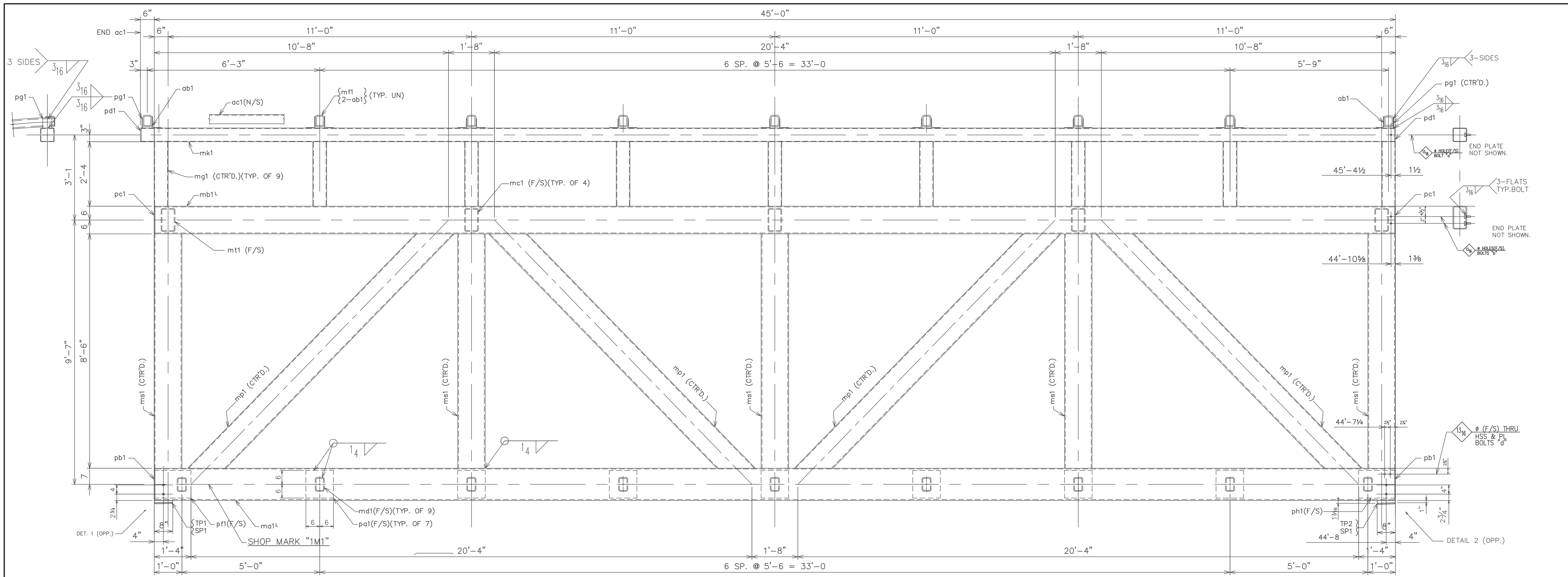
This Drawing Represents An Approval Of The Following
 JOIST DECK
 STRUCTURAL STEEL
 SUBMISSION NO. _____
 DATE: _____
 In order for Schlosser Steel to meet our committed delivery on this project, completely approved drawings with all requested information must be returned to our office by _____. Delays beyond this date will result in delivery delays.

REVISIONS			
REV. NO.	DATE	DESCRIPTION	

PRINT RECORD			
NO.	DT.	TO	FOR

SCHLOSSER STEEL, Inc. Structural Steel Fabricators 2641 Township Line Road Hatfield, Pa.	
BRIDGE DETAILS P.P. & L. CORP. - SKYWALK PARKING GARAGE TO NORTH BUILDING ALLENTOWN, PA	
WELD ELECT: E70XX HOLES: AS NOTED MADE BY RGY CHK'D. BY ALY	ORDER NO. C5286 SHEET NO. 2 DATE 11-27-02





SECTION B-B

MAT'L: A36 STEEL (U/N)
 SURF. PREP: SSPC-SP3
 PAINT: BY OTHERS
 ALL A572-50 & A992 MATERIAL TO BE
 WELDED w/ LOW HYDROGEN
 ALL MATERIAL AESS

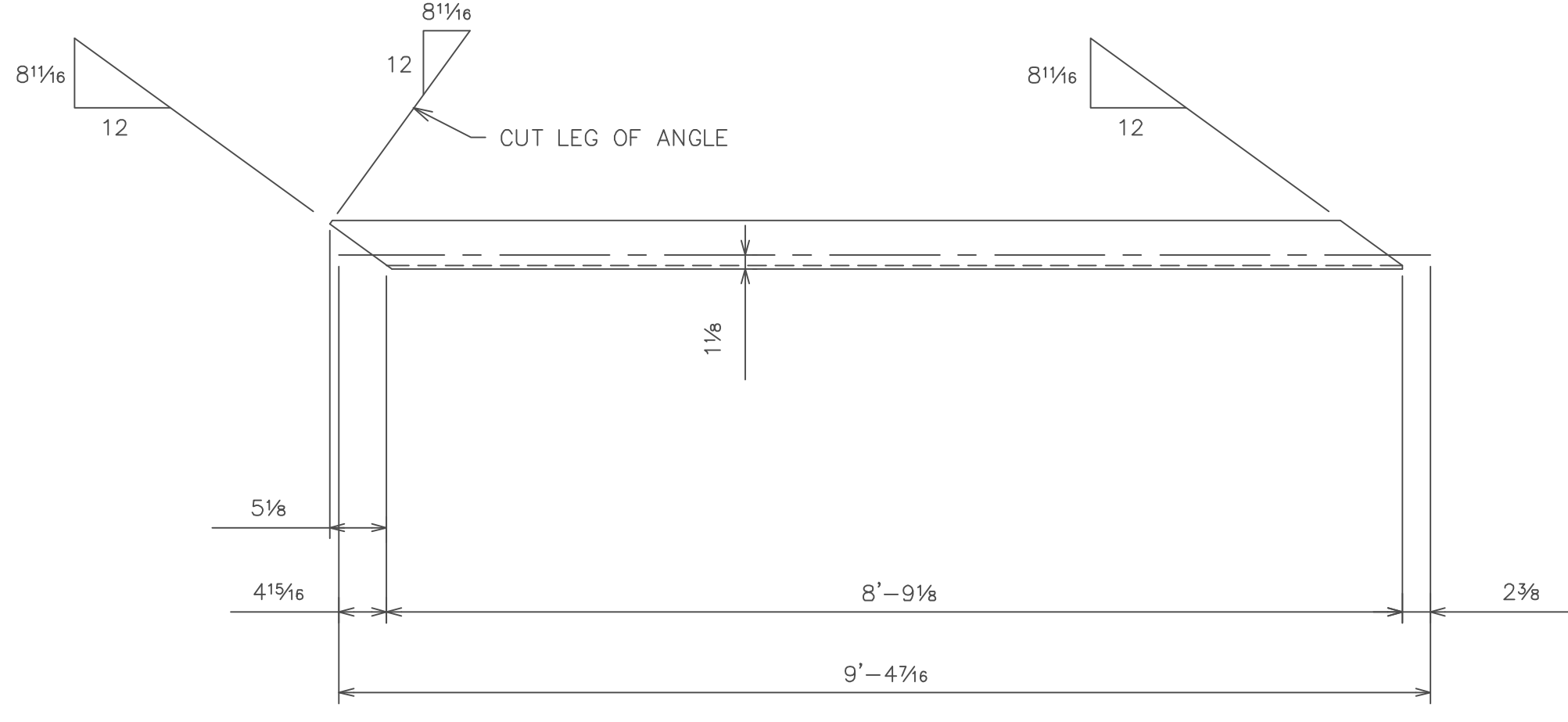
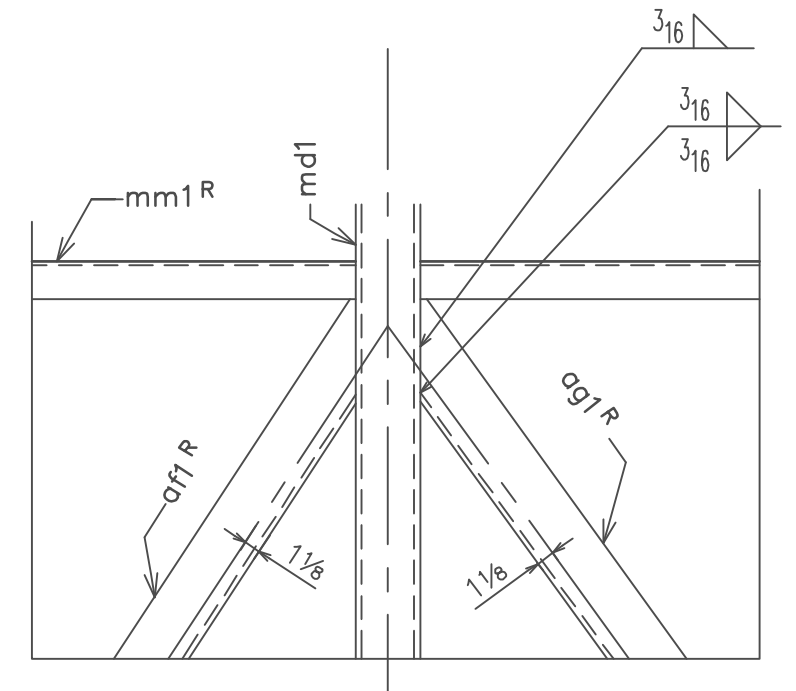
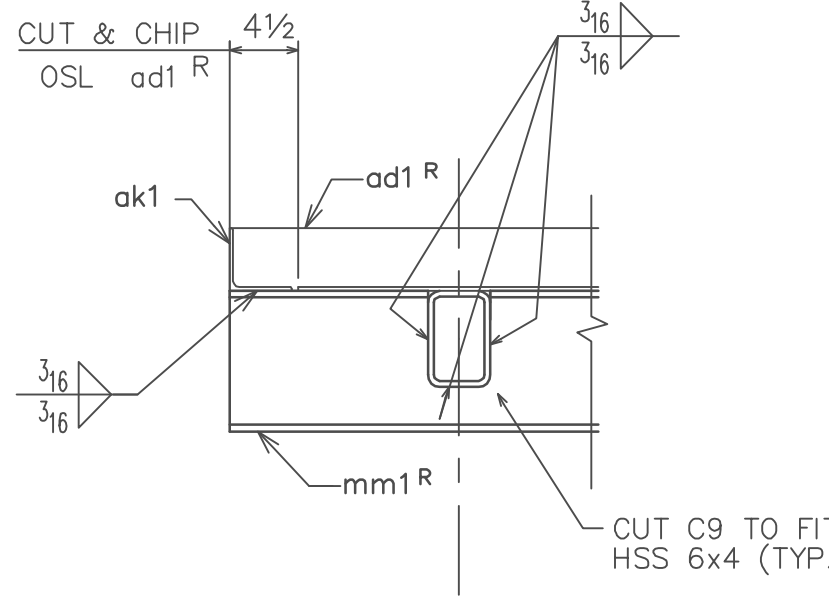
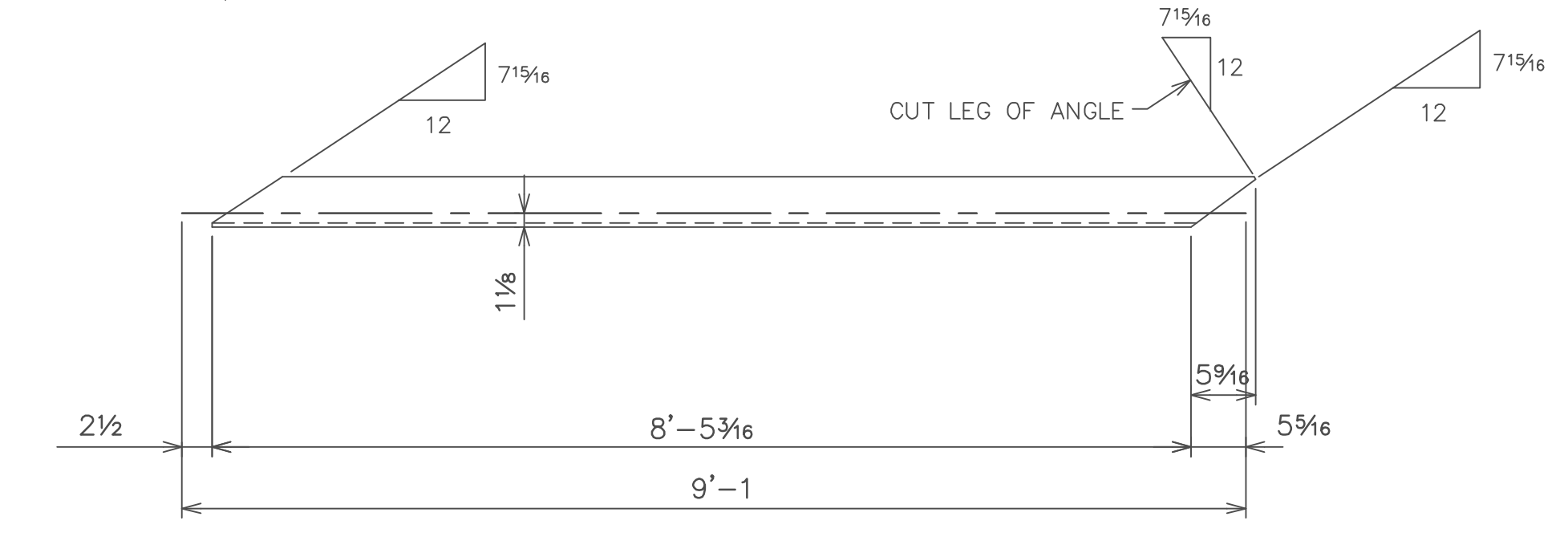
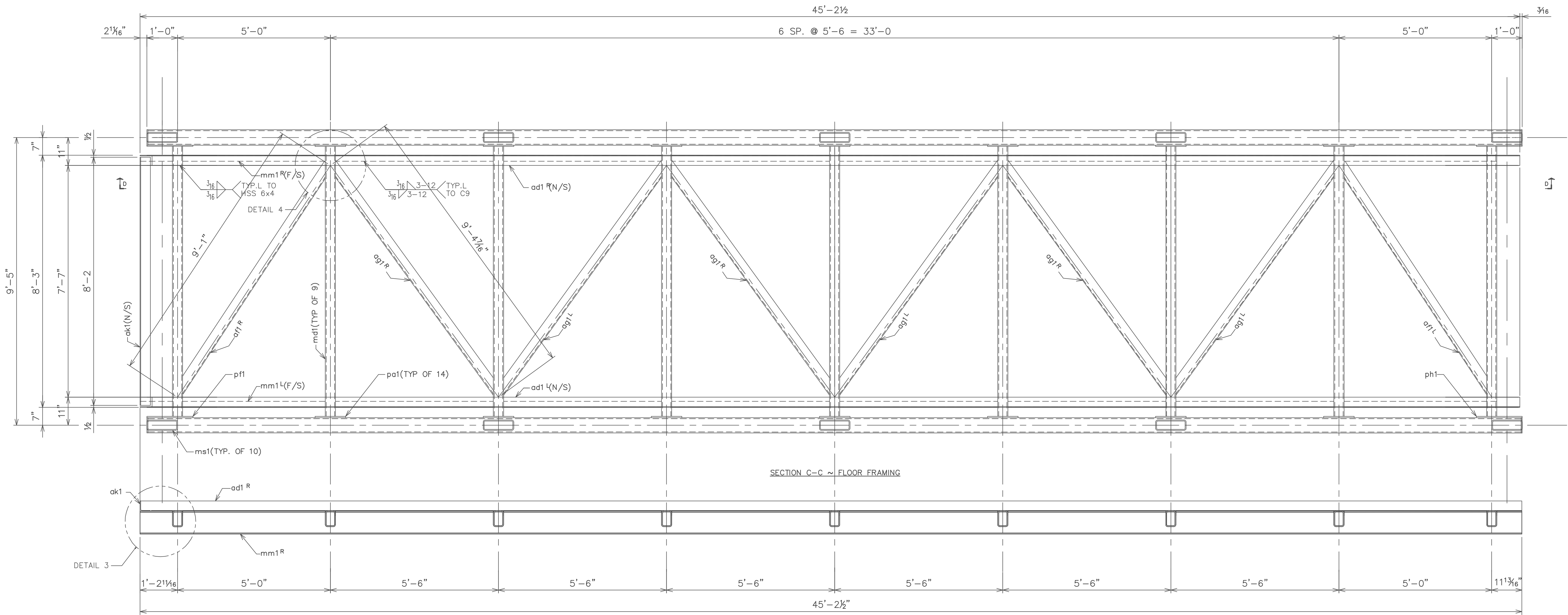
This Drawing Represents An Approval Of The Following	
<input type="checkbox"/> JOIST	<input type="checkbox"/> DECK
<input checked="" type="checkbox"/> STRUCTURAL STEEL	
SUBMISSION NO. _____	
DATE: _____	
<small>In order for Schlosser Steel to meet our committed delivery on this project, completely approved drawings with all requested information must be returned to our office by _____ Delays beyond this date will result in delivery delays.</small>	

REVISIONS		
REV. NO.	DATE	DESCRIPTION

PRINT RECORD NO. DT. TO FOR				SCHLOSSER STEEL, Inc. Structural Steel Fabricators 2641 Township Line Road Hatfield, Pa.	
BRIDGE DETAILS P.P. & L. CORP. - SKYWALK PARKING GARAGE TO NORTH BUILDING ALLENTOWN, PA					
WELD ELECT: E70XX		ORDER NO. C5286			
HOLES: AS NOTED		SHEET NO. 3			
MADE BY RGY		DATE 11-27-02			
CHK'D. BY ALY					



ACTIVE MEMBER
 CATEGORY
 COMPLEX STEEL
 BUILDING STRUCTURES
 CERTIFIED



MAT'L: A36 STEEL (U/N)
 SURF. PREP: SSPC-SP3
 PAINT: BY OTHERS
 ALL A572-50 & A992 MATERIAL TO BE
 WELDED w/ LOW HYDROGEN
 ALL MATERIAL AESS

This Drawing Represents An Approval Of The Following	
<input type="checkbox"/> JOIST	<input type="checkbox"/> DECK
<input checked="" type="checkbox"/> STRUCTURAL STEEL	
SUBMISSION NO. _____	
DATE: _____	
In order for Schlosser Steel to meet our committed delivery on this project, completely approved drawings with all requested information must be returned to our office by _____. Delays beyond this date will result in delivery delays.	

REVISIONS		
REV. NO.	DATE	DESCRIPTION

PRINT RECORD NO. DT. TO FOR				SCHLOSSER STEEL, Inc. Structural Steel Fabricators 2641 Township Line Road Hatfield, Pa.	
BRIDGE DETAILS P.P. & L. CORP. ~ SKYWALK PARKING GARAGE TO NORTH BUILDING ALLENTOWN, PA					
WELD ELECT: E70XX		ORDER NO. C5286			
HOLES: AS NOTED		SHEET NO. 4			
MADE BY RGY		DATE 11-27-02			
CHK'D. BY ALY					

