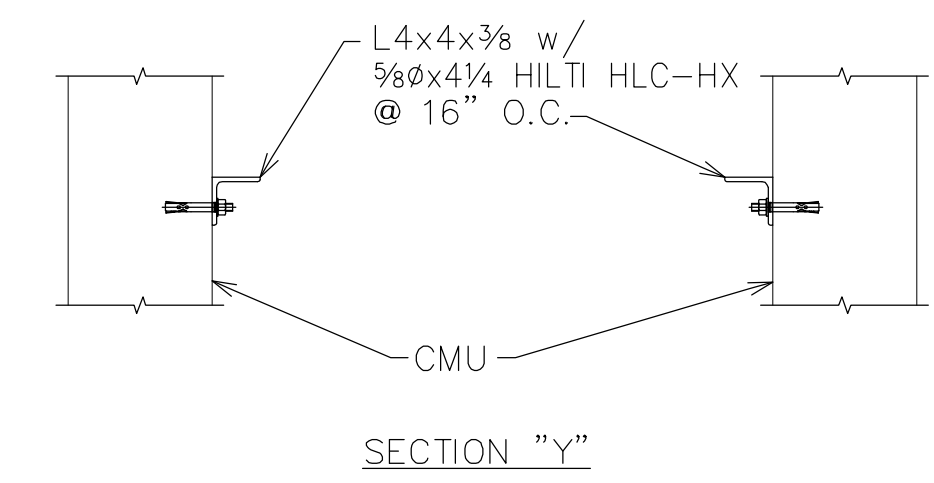
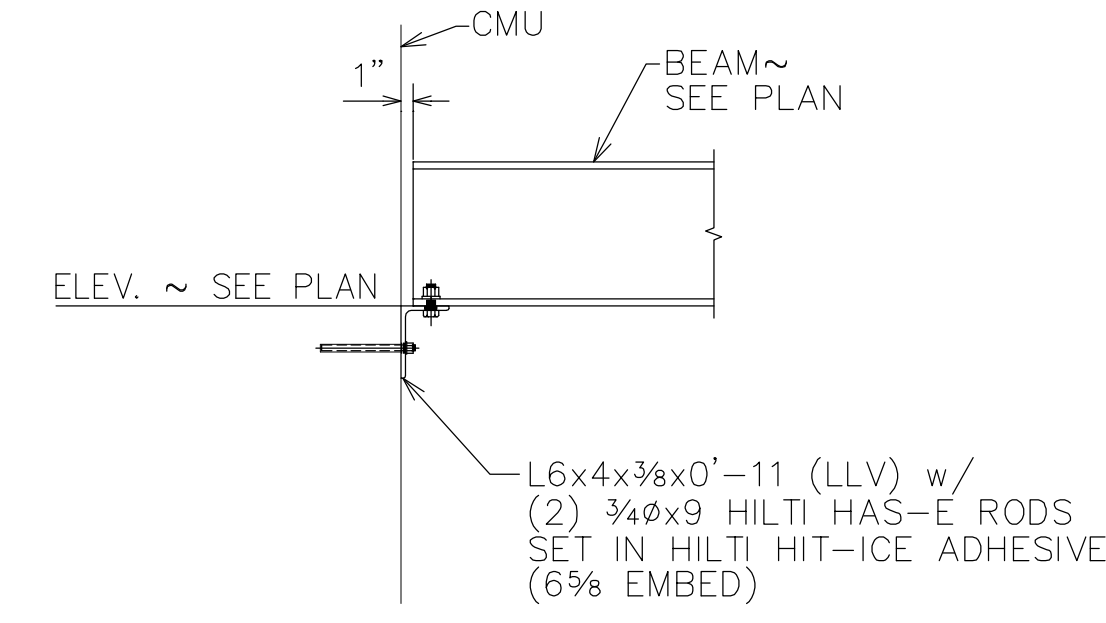


SECOND FLOOR FRAMING PLAN

I.O. STEEL EL 15'-6 1/2" U.N.O.

▶ INDICATES GRAVITY MOMENT CONNECTION ~ SEE E7
 C INDICATES BEAM CAMBER

[FP] INDICATES STRUCTURAL STEEL TO RECEIVE SPRAY-FIREPROOFING FOR SECTIONS AND DETAILS NOT SHOWN SEE E7
 SEE DECK DWGS. FOR SHEAR STUDS



SECTION "X"

SECTION "Y"

MID ATLANTIC STEEL, LLC

1144 RIVER ROAD
 NEW CASTLE,
 DELAWARE 19720
 (302)323-1800
 FAX: (302)323-1806

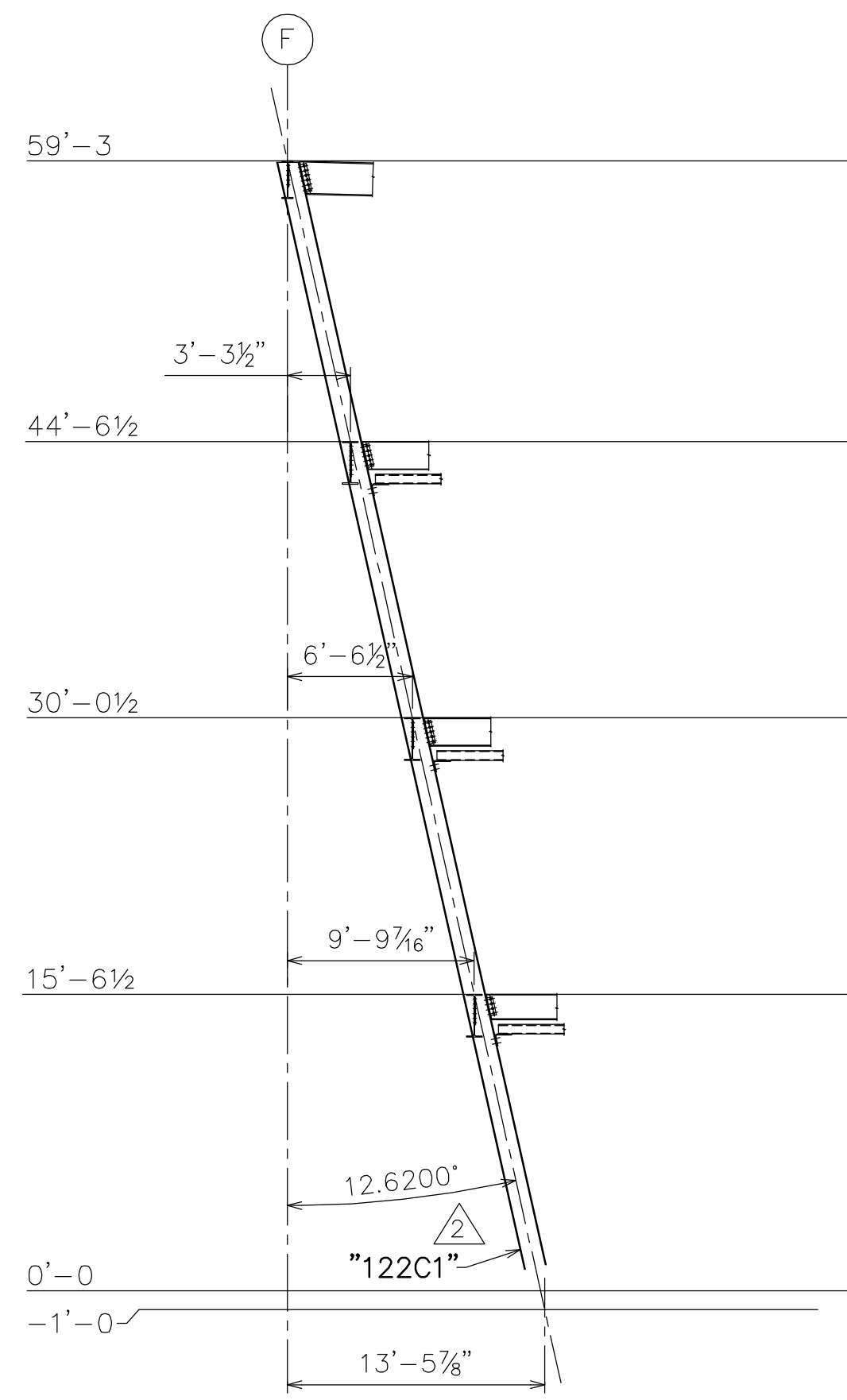
PROJECT NAVY 1200 INTREPID

LOCATION PHILADELPHIA, PENNSYLVANIA 19112

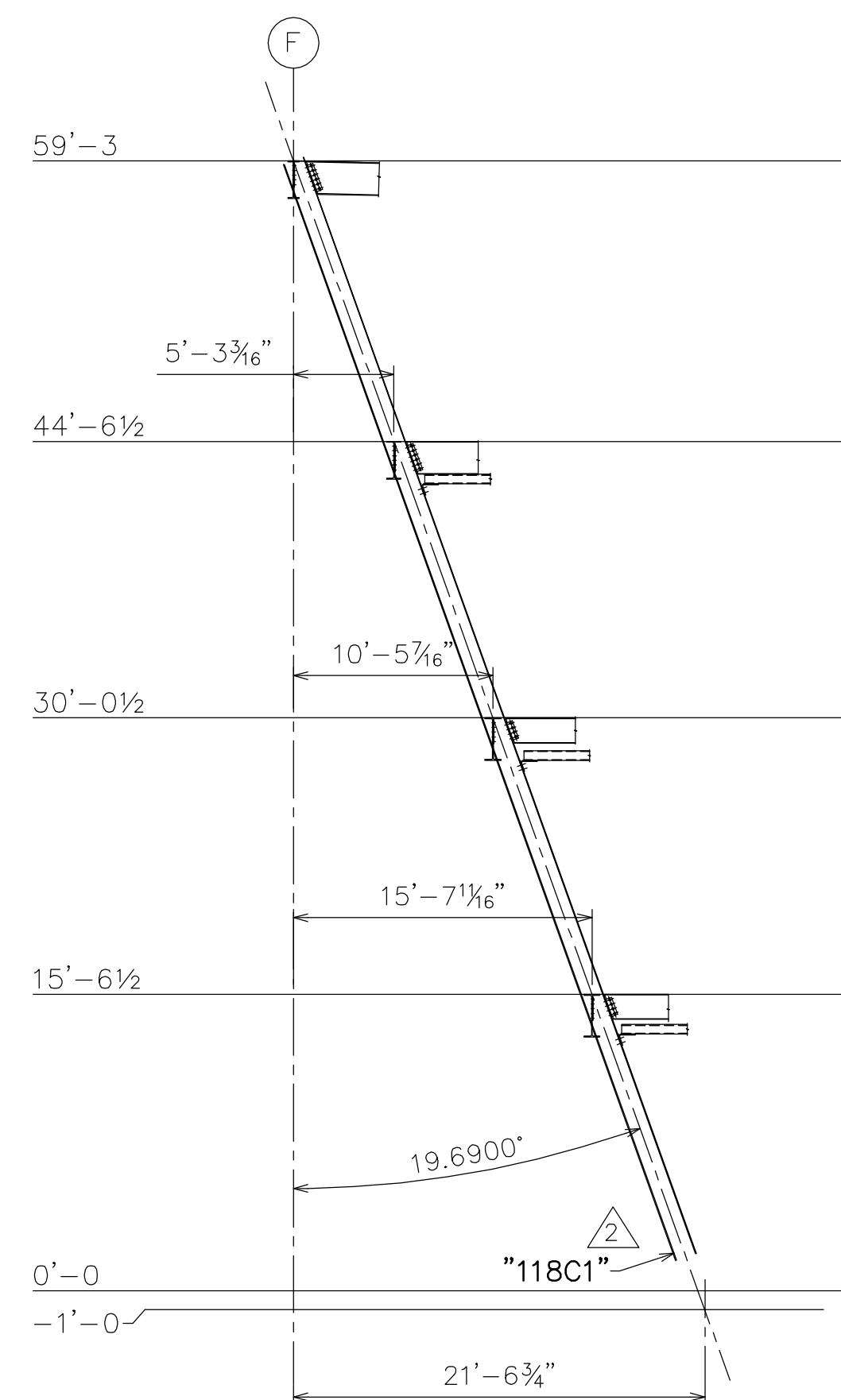
DESCRIPTION SECOND FLOOR FRAMING PLAN

11	ADDED PC. MARKS	8/13/15
10	ADDED PC. MARK	7/27/15
9	ADDED PC. MARKS	7/13/15
8	ADD "JUNIOR" DIMS. & REV. ELEVATOR DIMS.	7/8/15
7	ADDED PC. MARKS	6/23/15
6	ADDED PC. MARKS	6/17/15
5	PER CHCK'G, APPVL. & BIG DIMS.	6/10/15
4	ADDED PC. MARKS	5/14/15
3	REVISED PER BULLETIN #2	4/24/15
2	ADDED PC. MARKS & ADJUST. SPC.	3/19/15
NO	REVISION	DATE

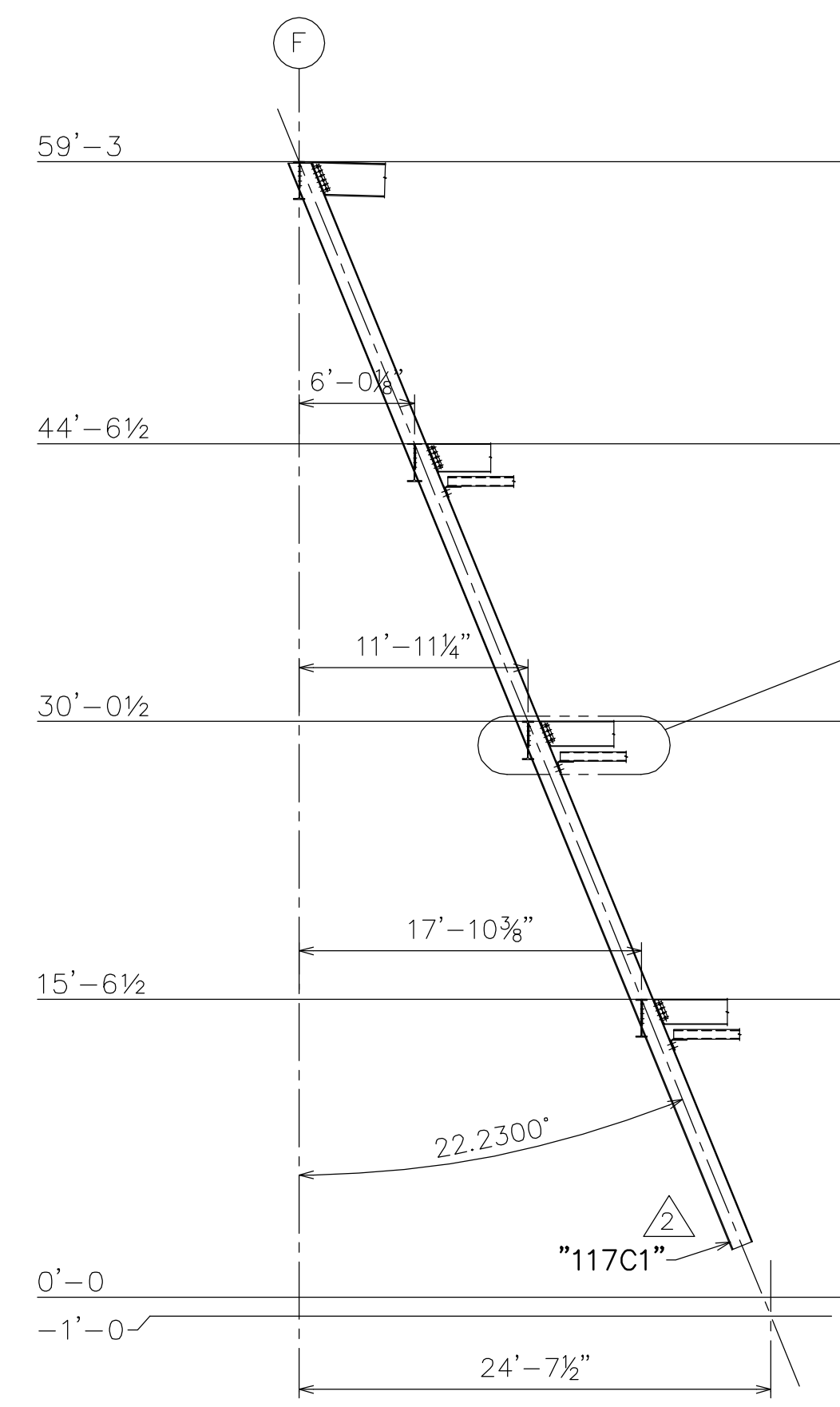
DRAWN BY	DAN	DATE	2/10/15	JOB NO.	M-0433	DWG. NO.	E2
CHK'D BY	TLN	DATE	4/24/15				



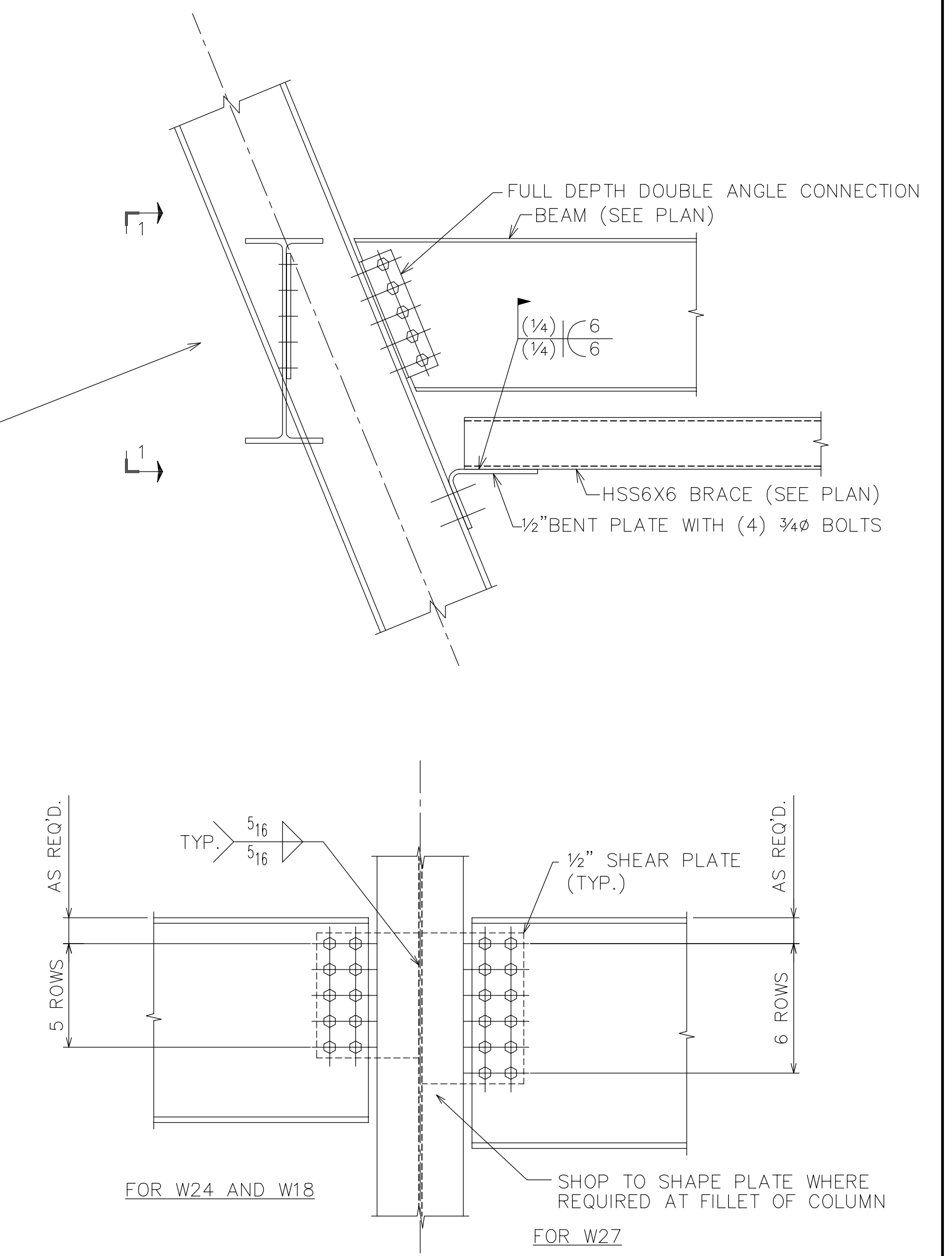
GRID 7



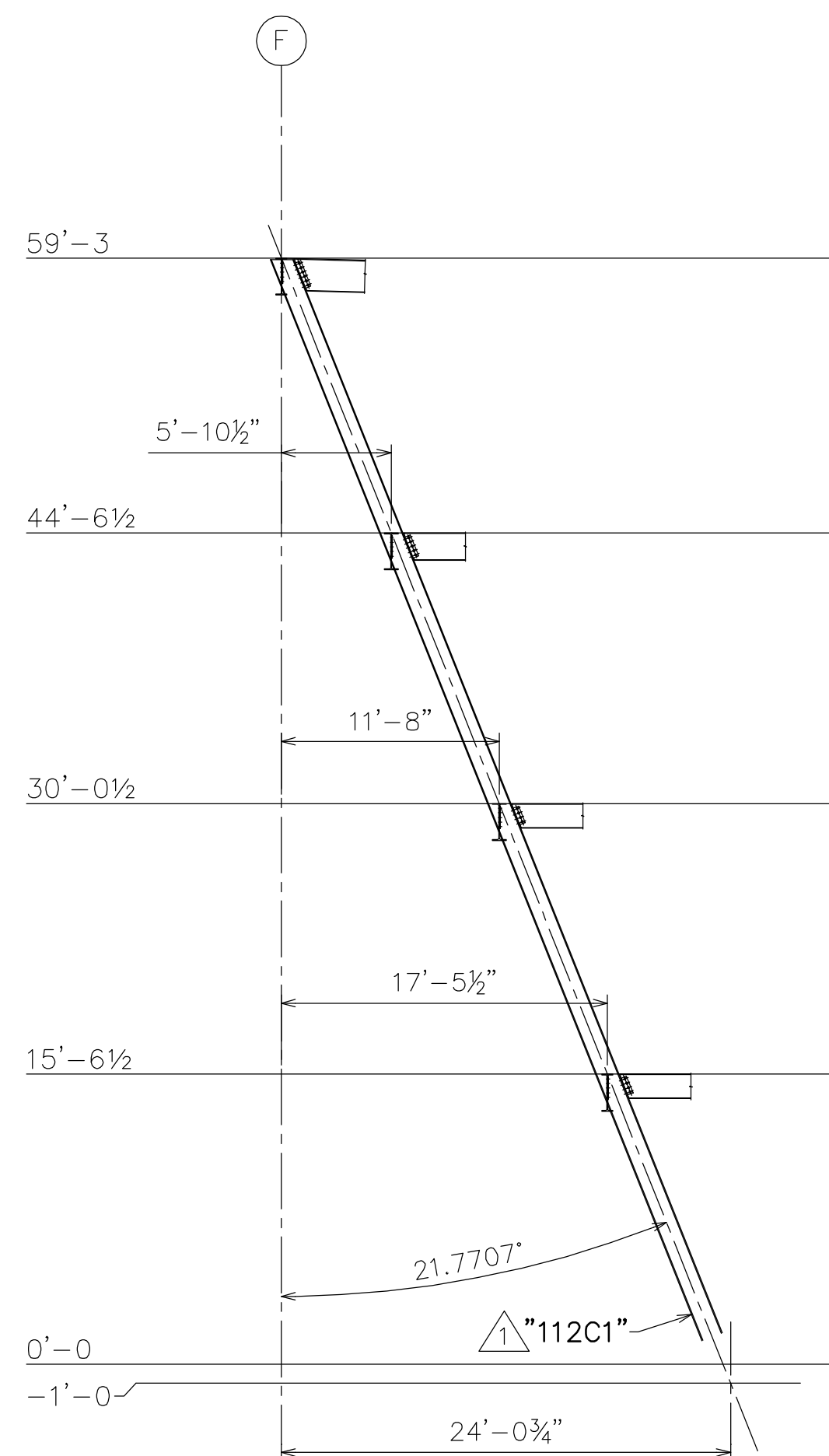
GRID 6



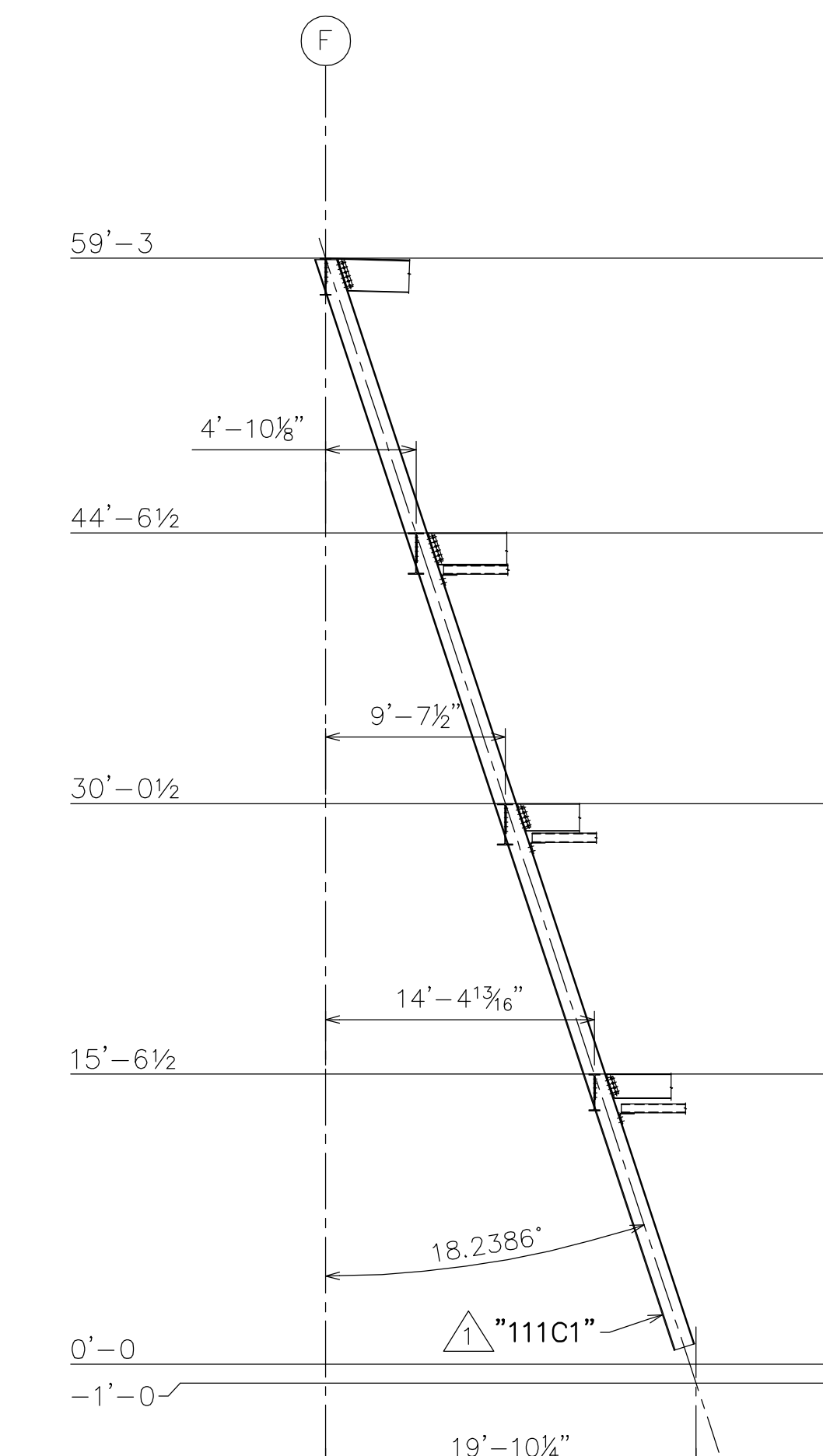
GRID 5



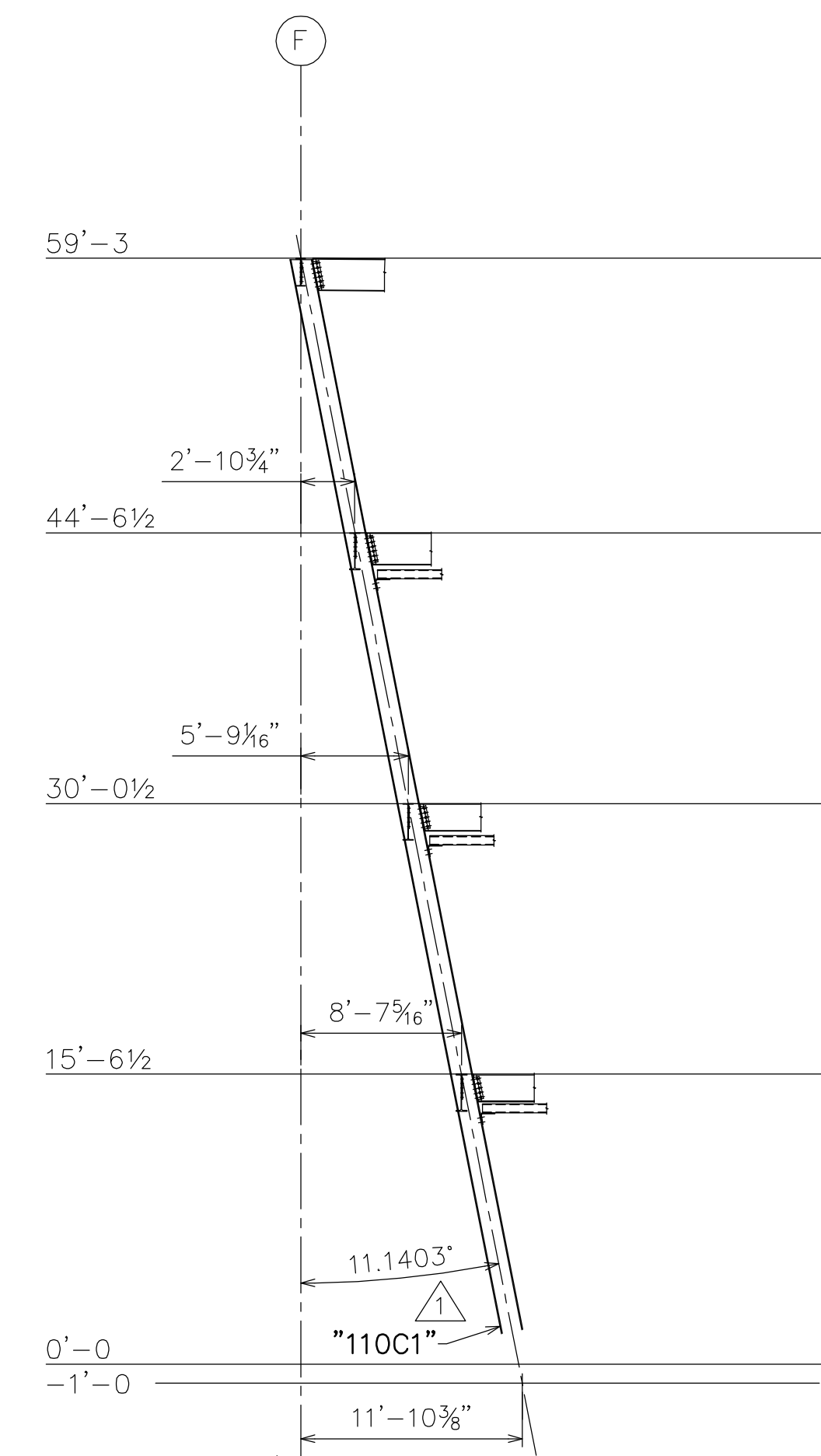
SECTION 1-1
SEE PLANS FOR BEAM SIZES



GRID 4



GRID 3

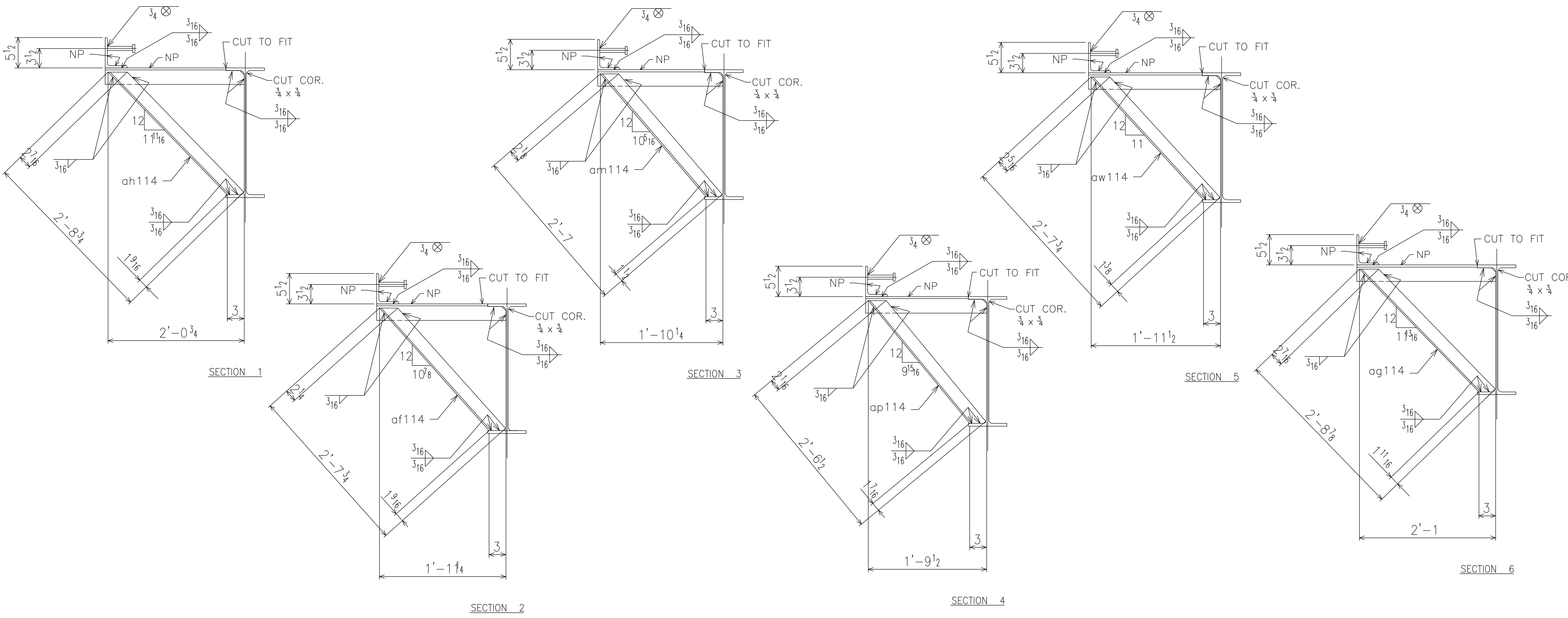
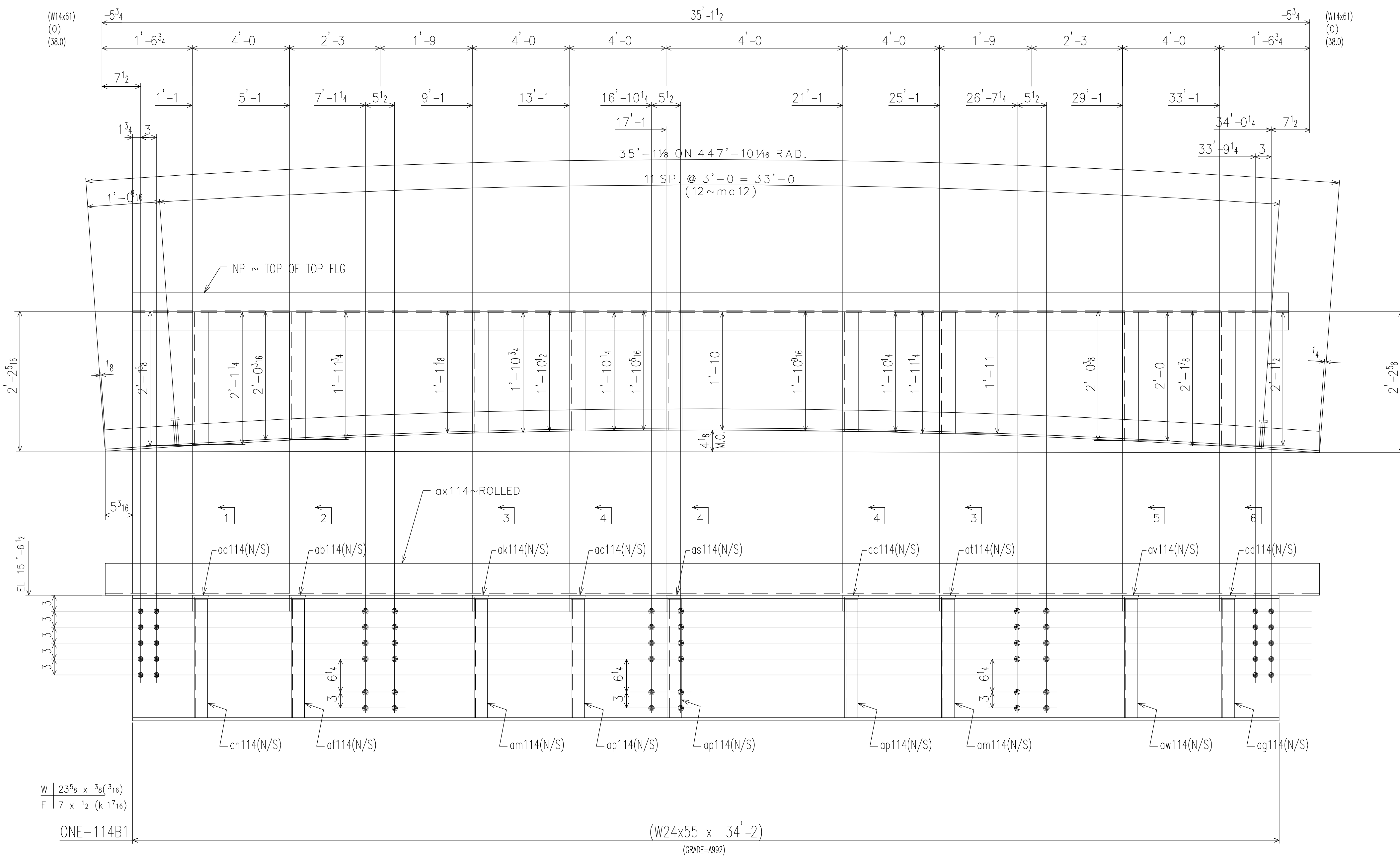


GRID 2

NO		REVISION	DATE	CHK'D BY	DATE	JOB NO.		DWG. NO.	
2		ADD. PC. MARKS	6/23/15			M-0433		E9	
1		ADD. PC. MARKS & REMOVE DIM., -2'-0	6/18/15			DATE 2/20/15			

MID ATLANTIC STEEL, LLC
 1144 RIVER ROAD
 NEW CASTLE,
 DELAWARE 19720
 (302)323-1800
 FAX: (302)323-1806

PROJECT: NAVY 1200 INTREPID
 LOCATION: PHILADELPHIA, PENNSYLVANIA 19112
 DESCRIPTION: LEANING COLUMNS

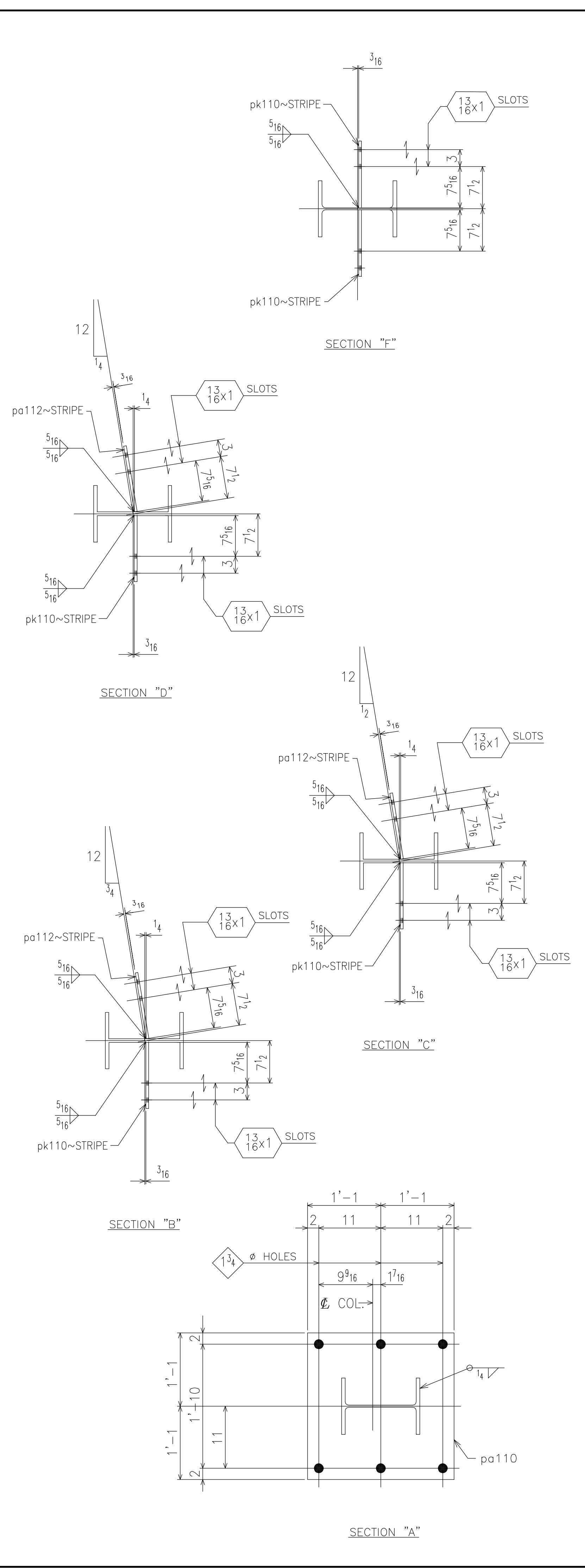
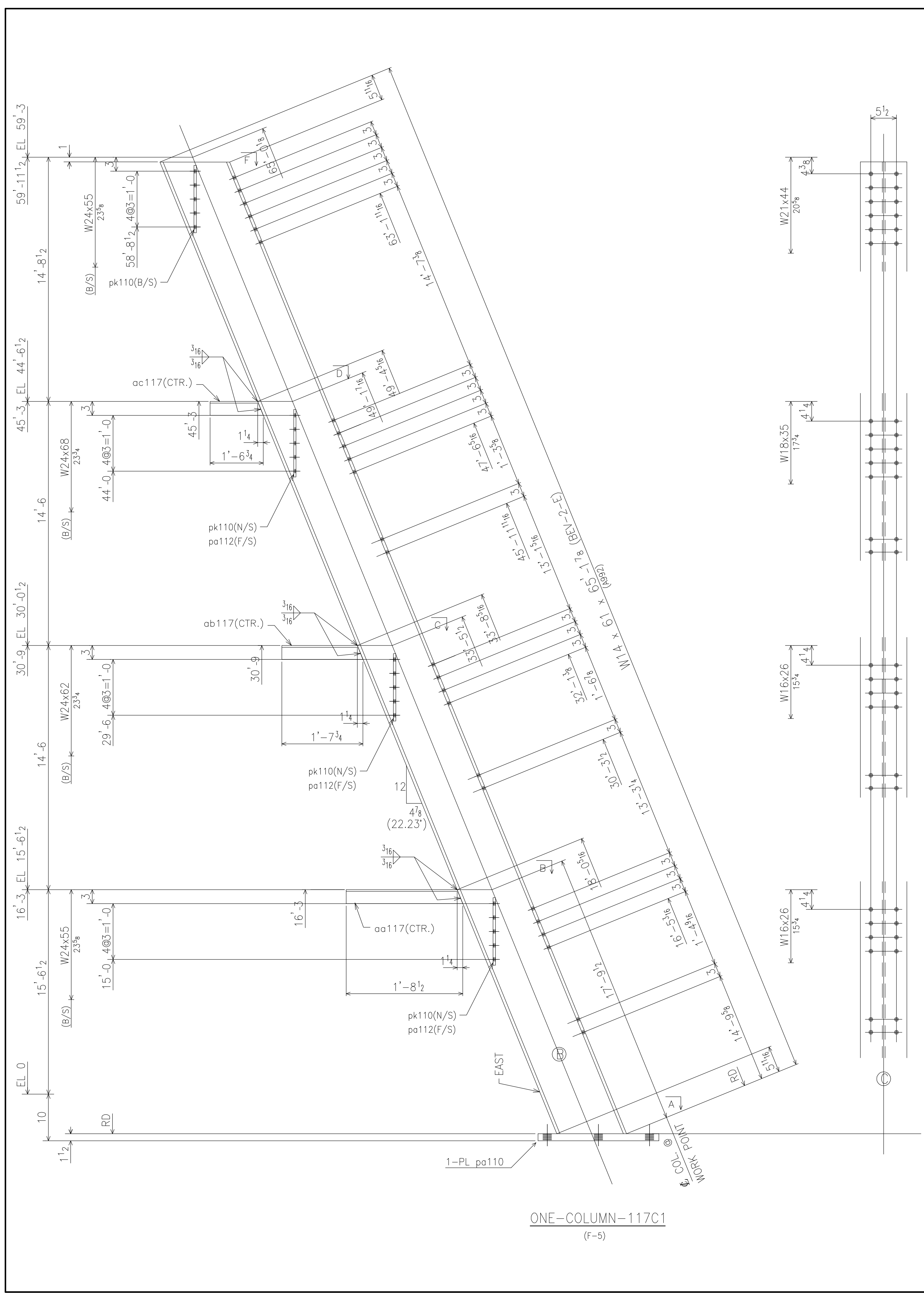


BILL OF MATERIAL

K2	J2	H2	G2	F2	E2	D2	TOTAL QUANT.	SHAPE	LENGTH FT.	IN.	MARK	TOTAL WEIGHT	REMARKS	ITEM NO.
							1	ONE W24x55 (A992)	34	2	114B1	2550		4/4
							1	L5 ¹ / ₂ x4x ³ / ₈	35	1 ¹ / ₈	ax114		BEV. 2E ROLLED; CUT L&K	
							1	L3x3x ³ / ₈	2	1 ¹ / ₄	aa114		CUT TO FIT	
							1	L3x3x ³ / ₈	1	11 ³ / ₄	ab114		CUT TO FIT	
							1	L3x3x ³ / ₈	1	10 ³ / ₄	ak114		CUT TO FIT	
							2	L3x3x ³ / ₈	1	10 ¹ / ₄	ac114		CUT TO FIT	
							1	L3x3x ³ / ₈	1	10	ad114		CUT TO FIT	
							1	L3x3x ³ / ₈	1	11	ae114		CUT TO FIT	
							1	L3x3x ³ / ₈	2	0	af114		CUT TO FIT	
							1	L3x3x ³ / ₈	2	1 ¹ / ₂	ag114		CUT TO FIT	
							1	L2 ¹ / ₂ x2 ¹ / ₂ x ¹ / ₄	2	8 ³ / ₄	ah114		BEV. 2E.	
							1	L2 ¹ / ₂ x2 ¹ / ₂ x ¹ / ₄	2	7 ³ / ₄	ai114		BEV. 2E.	
							2	L2 ¹ / ₂ x2 ¹ / ₂ x ¹ / ₄	2	7	aj114		BEV. 2E.	
							3	L2 ¹ / ₂ x2 ¹ / ₂ x ¹ / ₄	2	6 ¹ / ₂	ak114		BEV. 2E.	
							1	L2 ¹ / ₂ x2 ¹ / ₂ x ¹ / ₄	2	7 ³ / ₄	al114		BEV. 2E.	
							1	L2 ¹ / ₂ x2 ¹ / ₂ x ¹ / ₄	2	8 ⁷ / ₈	am114		BEV. 2E.	
							12	³ / ₄ " HD'D STUDS	0	5	ma12			

SHOP NOTES~ NP=NO PAINT

FIELD BOLTS	36	³ / ₄ "	F1852	x	2
MATERIAL	A36 (U.N.O.)				
HOLES	13/16" DIA. (U.N.O.)				
WELD	E70xx				
FINISH	SSPC-SP3, RED IRON OXIDE				
MID ATLANTIC STEEL, LLC					
1144 RIVER ROAD NEW CASTLE, DELAWARE 19720 (302)323-1800 FAX:(302)323-1806					
PROJECT	NAVY 1200 INTREPID				
LOCATION	PHILADELPHIA, PENNSYLVANIA 19112				
DESCRIPTION	STEEL DETAILS				
DRAWN BY	TLN	DATE	6-18-15	JOB NO.	M-0433
CHK'D BY	ALY	DATE	8-5-15	DWG. NO.	114



BILL OF MATERIAL														
K2	J2	H2	G2	F2	E2	D2	TOTAL QUANT.	SHAPE	LENGTH FT.	IN.	MARK	TOTAL WEIGHT	REMARKS	ITEM NO.
							ONE	W14x61 (A992)	65	1 7/8	117C1	4498	BEV.2E.	1/12
							1	PL 1 1/2x26	2	2	pa110			
							5	PL 1/2x12	1	2 1/2	pk110			
							3	PL 1/2x12	1	2 1/2	pa112			
							1	L3x3x 3/8	1	8 1/2	oa117		BEV.1E.	
							1	L3x3x 3/8	1	7 3/4	ob117		BEV.1E.	
							1	L3x3x 3/8	1	6 3/4	ac117		BEV.1E.	

FIELD BOLTS 130 3/4 F1852 x 2 1/4

MATERIAL A36 (U.N.O.)

HOLES 13/16\"/>

WELD E70xx

FINISH SSPC-SP3, RED IRON OXIDE

MID ATLANTIC STEEL, LLC

1144 RIVER ROAD
NEW CASTLE,
DELAWARE 19720
(302)323-1800
FAX:(302)323-1806

PROJECT NAVY 1200 INTREPID

LOCATION PHILADELPHIA, PENNSYLVANIA 19112

DESCRIPTION STEEL DETAILS

DRAWN BY TLN DATE 6-19-15 JOB NO. M-0433 DWG. NO. 117

CHK'D BY ALY DATE 8-11-15