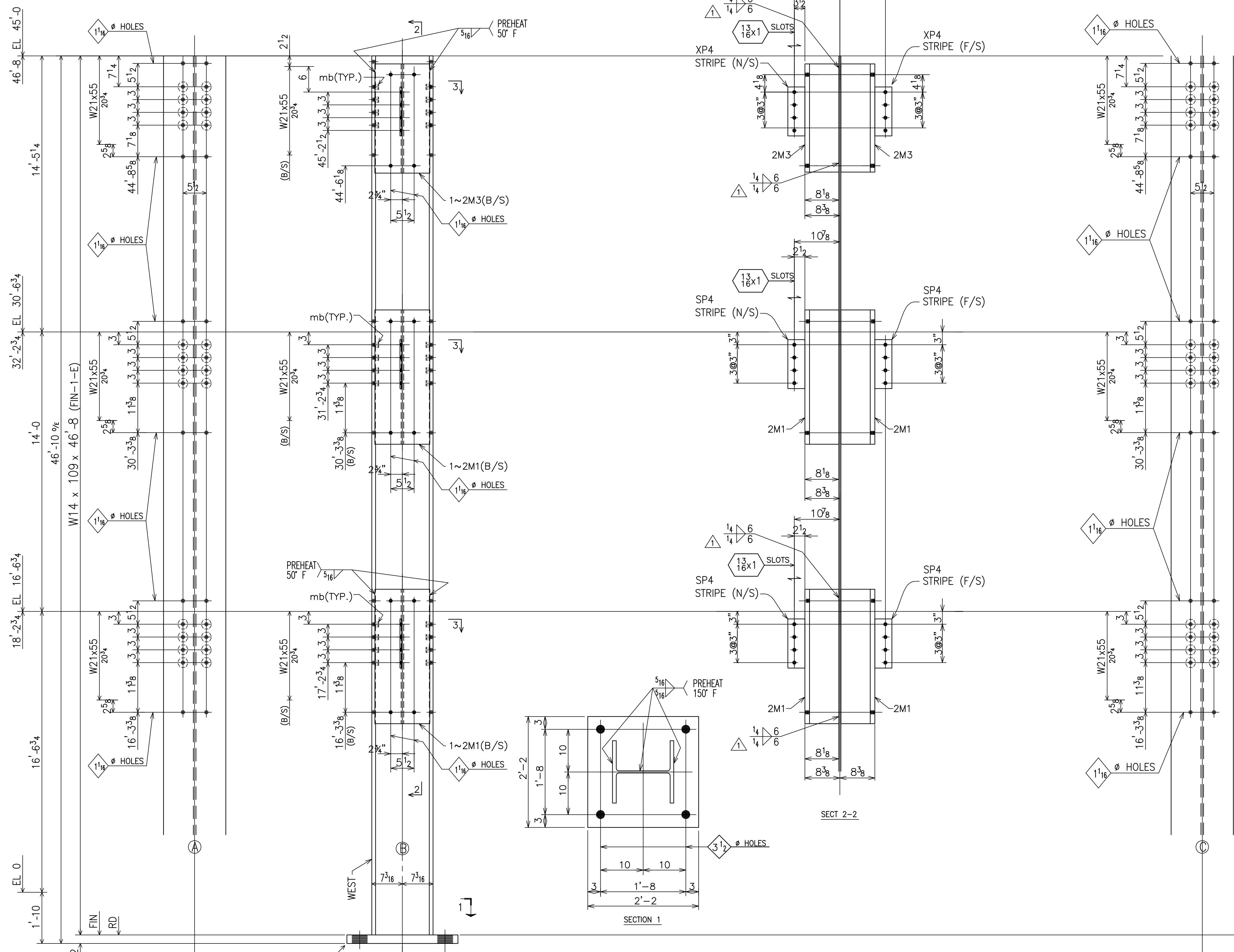






BILL OF MATERIAL

SHIPMENT							NO.	SHAPE	LENGTH		MARK	REMARKS	WT.
A	B	C	D	H	J	K			FT	IN			
1							ONE	W14x109 (A992)	46	8	26C1	FIN-1-E	6467
							1	PL2x26	2	2	ba2		
							4	Pc. W24x146 (A992)	2	7 1/4	2M1	CUT TO 8 1/8	
							4	PL 3/8x4	1	0	SP4		
							2	Pc. W24x146 (A992)	2	2 1/2	2M3	CUT TO 8 1/8	
							2	PL 3/8x5	1	0	XP4		
							48	3/4" HVY HEX NUT			mb		
FIELD BOLTS							24	3/4" A325-TC x 2	48	3/4" A325-TC x 2 1/2			
24 1" A490 x 3							12	1" A490 x 3 1/4					



REVISIONS		
REV. NO.	DATE	DESCRIPTION
1	1-9-15	ADD WELD

**SCHLOSSER STEEL, Inc.**

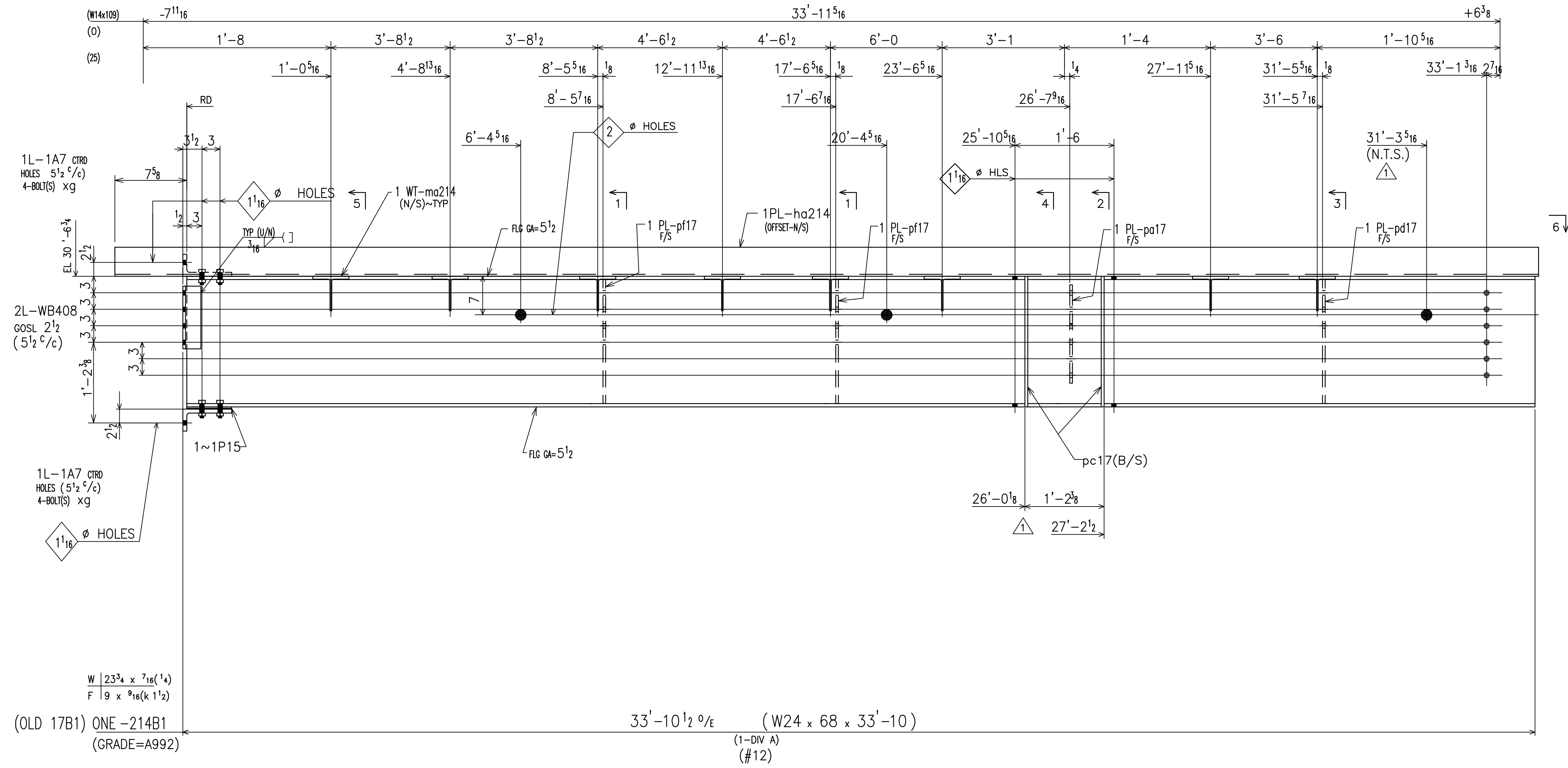
Structural Steel Fabricators  
2641 Township Line Rd. Hatfield, Pa.

STEEL DETAILS  
**THE CHILDRENS HOSPITAL OF PHILADELPHIA FAMILY CARE CENTER**  
PHILADELPHIA, PA

PREP: SSPC-SP2	WELD ELECT: E70xx (LH)	ORDER NO. C5847
PAINT: NONE	HOLES: 1 3/16 (UNO)	SHEET NO. 26
MAT'L: A36 (UNO)	MADE BY: H.I. CHK'D. BY: RJS	DATE: 10-01-12

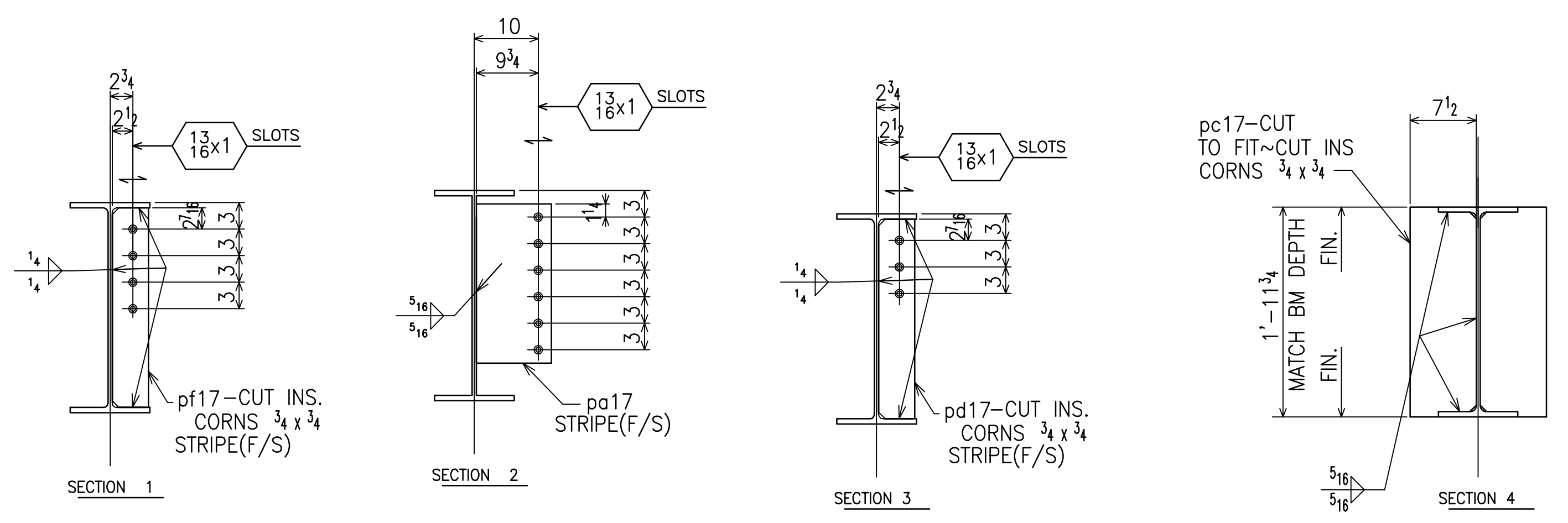
PRINT RECORD			
NO.	DT.	TO	FOR





BILL OF MATERIAL

SHIPMENT							NO.	SHAPE	LENGTH		MARK	REMARKS	WT.
A	B	C	D	H	J	K			FT	IN			
1							ONE	W24x68 (A992)	33	10	214B1		3409
							1	PL 2x11 1/2	1	5 1/2	pa17		
							2	L 4x3x 3/16	0	11 1/2	WB408		
							1	PL 3/8x4	1	10 5/8	pd17		
							2	PL 3/8x4	1	10 5/8	pf17		
							2	L 8x4x 7/8	0	8	1A7		
							1	PL 1/8x8	0	8	1P15	SHIM	
							8	1Ø A490-TC BOLT(S)	0	3	xg	F2280	
							8	WT6x17.5 (A992)	2	6 3/8	ma214		
							1	PL 3/8x10 1/2	34	6 1/4	ha214	BENT, BEV 1/8"	
							4	PL 3/8x7 1/2 (A572-50)	1	11 3/4	pc17	FIN 2 F MATCH BM. DEPTH	
FIELD BOLTS							11	3/4 A325-TC x 1 3/4	6	3/4 A325-TC x 2 1/4			
							6	3/4 A325-TC x 2					
4 1"Ø A325-TC x 3													



REVISIONS		
REV. NO.	DATE	DESCRIPTION
1	4-21-15	UPDATED

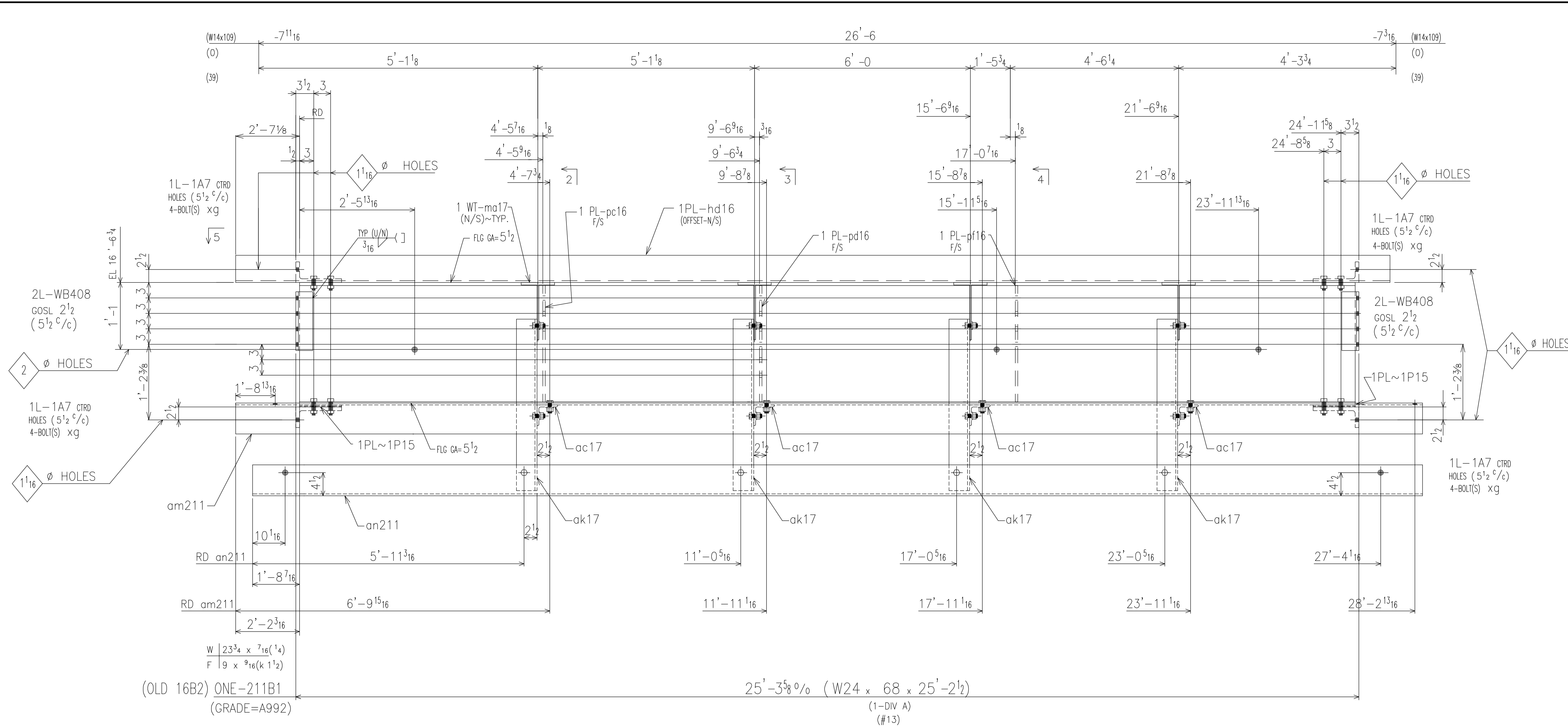
**SCHLOSSER STEEL, Inc.**  
*Structural Steel Fabricators*  
 2641 Township Line Rd. Hatfield, Pa.

STEEL DETAILS  
**THE CHILDRENS HOSPITAL OF PHILADELPHIA FAMILY CARE CENTER**  
 PHILADELPHIA, PA

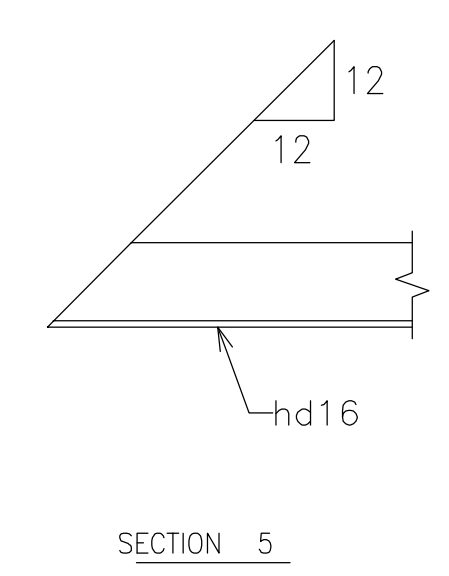
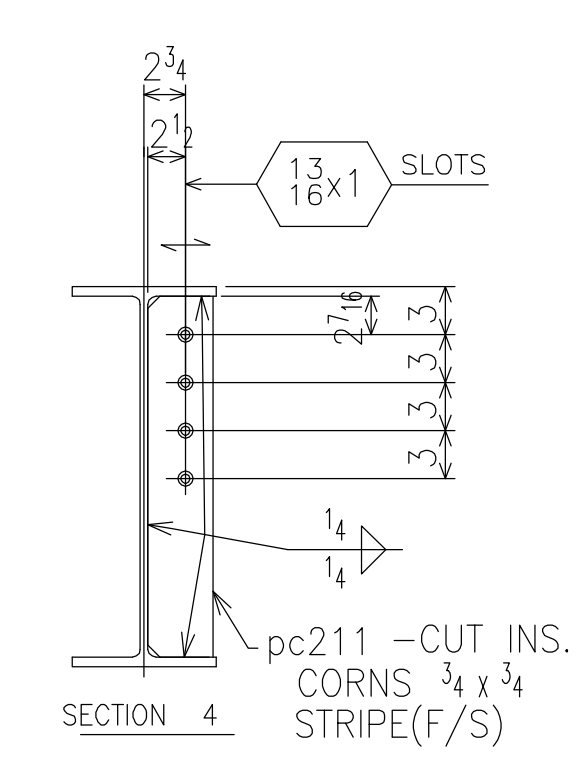
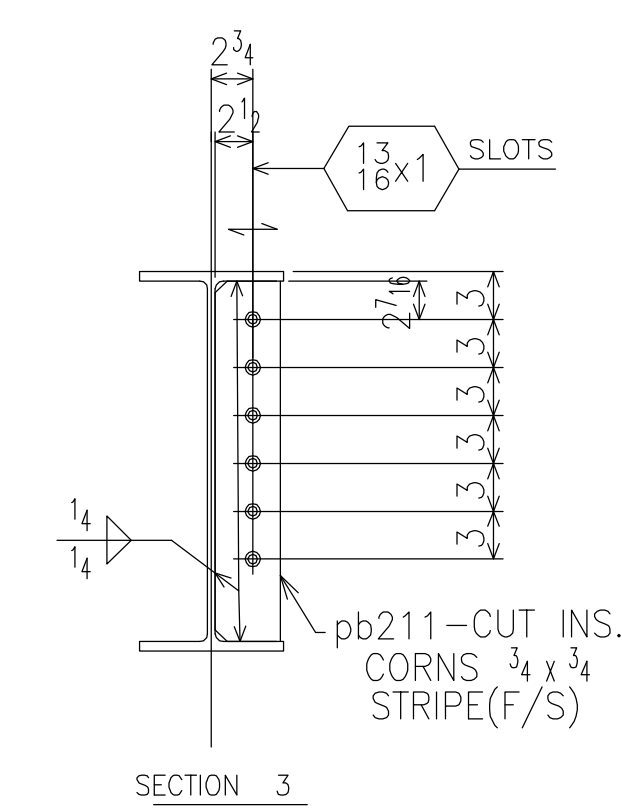
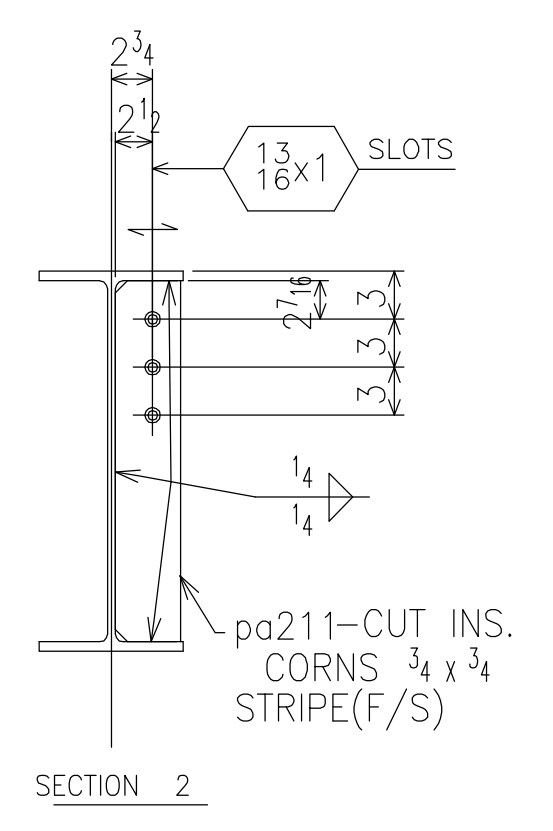
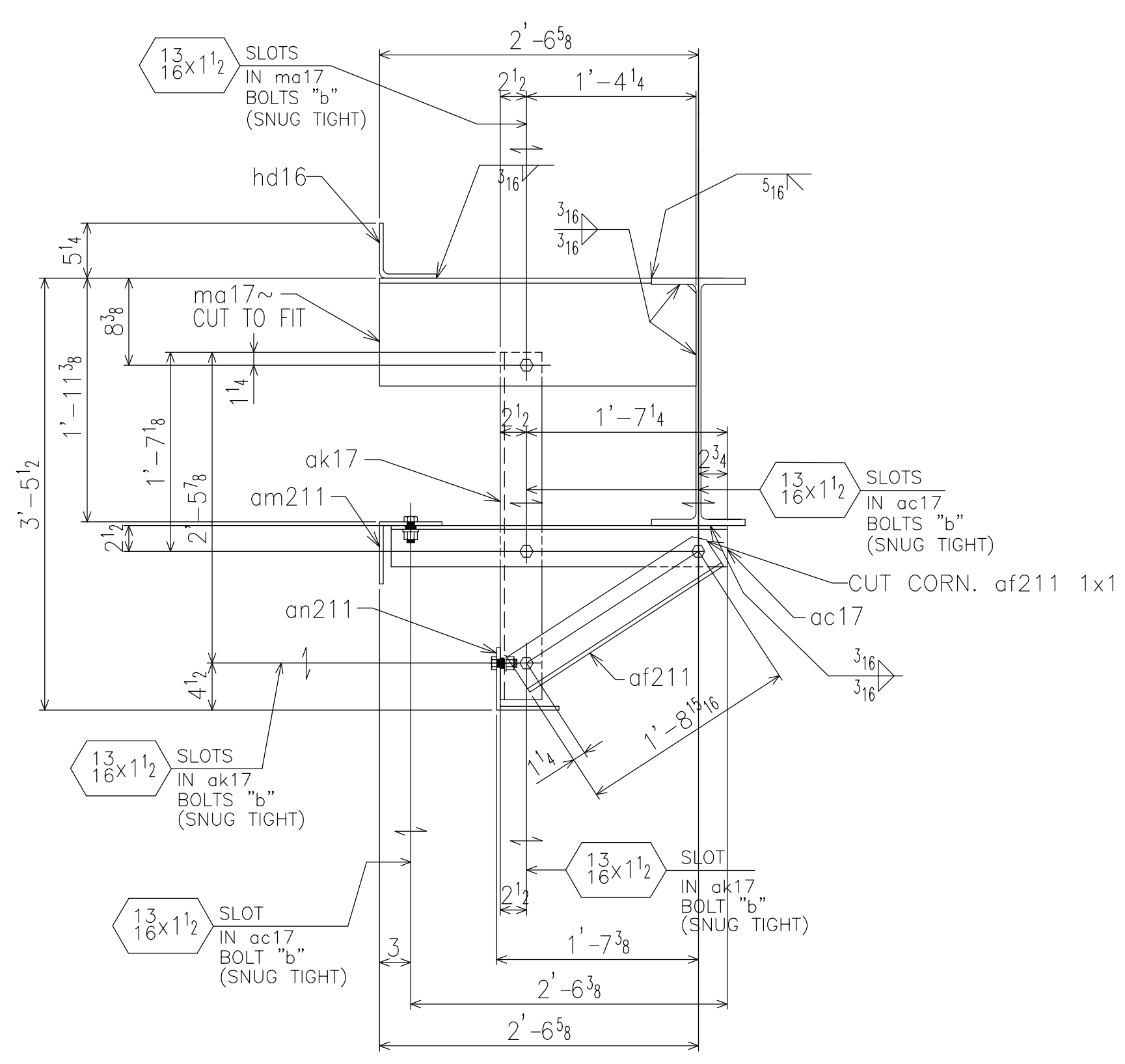
PREP: SSPC-SP2	WELD ELECT: E70xx (LH)	ORDER NO. C5847
PAINT: NONE	HOLES: 13/16 (UNO)	SHEET NO. 214
MAT'L: A36 (UNO)	MADE BY: H.I.	DATE: 10-28-14
	CHK'D. BY: RJS	

PRINT RECORD			
NO.	DT.	TO	FOR





SHIPMENT							NO.	SHAPE	LENGTH		MARK	REMARKS	WT.
A	B	C	D	H	J	K			FT	IN			
1							ONE	W24x68 (A992)	25	2 1/2	211B1		3415
							4	L4x3x 5/16	0	11 1/2	WB408		
							1	PL 3/8x4	1	10 5/8	pa211		
							1	PL 3/8x4	1	10 5/8	pb211		
							1	PL 3/8x4	1	10 5/8	pc211		
							4	L8x4x 7/8	0	8	1A7		
							2	PL 3/8x8	0	8	1P15	SHIM	
							16	10 A490-TC BOLT(S)	0	3	xg	F2280	
							4	WT10.5x22 (A992)	2	6 3/8	ma17		
							1	PL 3/8x10 1/2	28	5 3/8	hd16	BENT; BEV.1E.	
							1	L6x6x 3/8	28	4 5/8	am211		
							1	L6x6x 3/8	27	10 5/8	an211		
							4	L4x4x 3/8	2	8 3/8	ac17		
							4	L4x4x 3/8	2	8 3/4	ak17		
							4	L4x4x 3/8	1	10 5/8	af211		
							24	3/4 A325-TC BOLT(S)	0	2	b	F1852	
							7	3/4 A325-TC x 1 3/4					
							6	3/4 A325-TC x 2					



REVISIONS		
REV. NO.	DATE	DESCRIPTION

**SCHLOSSER STEEL, Inc.**  
*Structural Steel Fabricators*  
 2641 Township Line Rd. Hatfield, Pa.

STEEL DETAILS  
**THE CHILDRENS HOSPITAL OF PHILADELPHIA FAMILY CARE CENTER**  
 PHILADELPHIA, PA

PREP: SSPC-SP2	WELD ELECT: E70xx (LH)	ORDER NO. C5847
PAINT: NONE	HOLES: 13/16 (UNO)	SHEET NO. 211
MAT'L: A36 (UNO)	MADE BY: H.I.	DATE: 10-28-14
	CHK'D. BY: RJS	

PRINT RECORD			
NO.	DT.	TO	FOR

