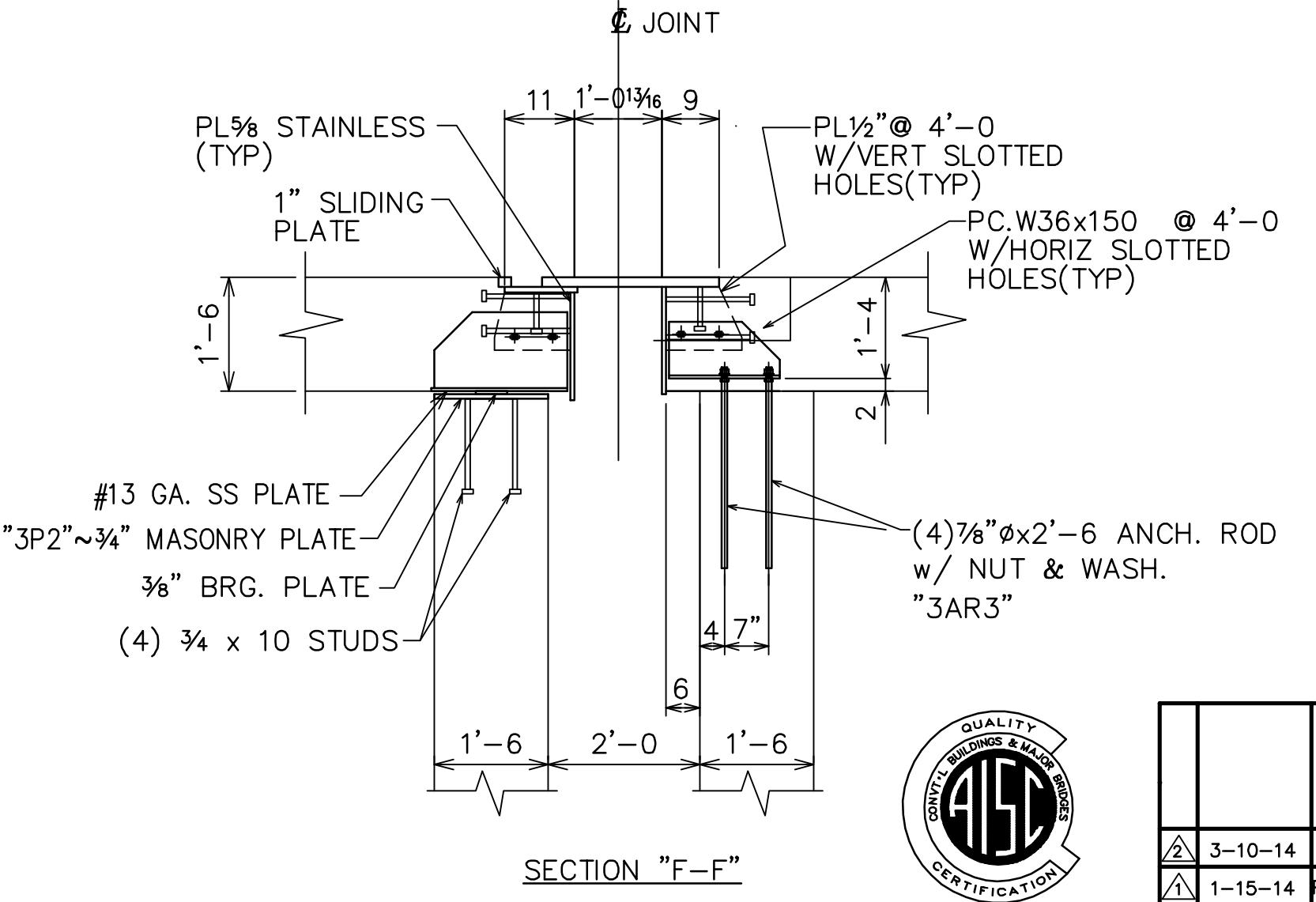


NOTE FOR GENERAL NOTES, SEE GN1



DESIGNER CERTIFICATION	CONTRACTOR APPROVAL STAMP AND SIGNATURE
------------------------	---

PELET'S WELDING, INC.
STEEL FABRICATORS
19 NORTH 12TH AVENUE
COATESVILLE, PA 19320
PHONE: 610-384-4556
FAX: 610-380-0608

CHESTER AND MONTGOMERY COUNTIES
SR 0422 SEC M1A
SEG 0040 OFFSET 0000 EB SEG. 0041 OFFSET 0000 WB
OVER SCHUYLKILL RIVER

S-26325A REF.DWG. 4, 129, 131, 139, BC-762M
TOOTH DAM AT ABUTMENT 1

DWN: TLN DATE: 4-22-13 CKD: ALY DATE: 8-12-13
CONTR. NO. j12-141 DRAWING NO. E1

NO	DATE	REVISION
3-10-14		PER APPROVAL OF 2-24-14
1-15-14		PER PADOT CHANGES E-MAILED 12/10/13