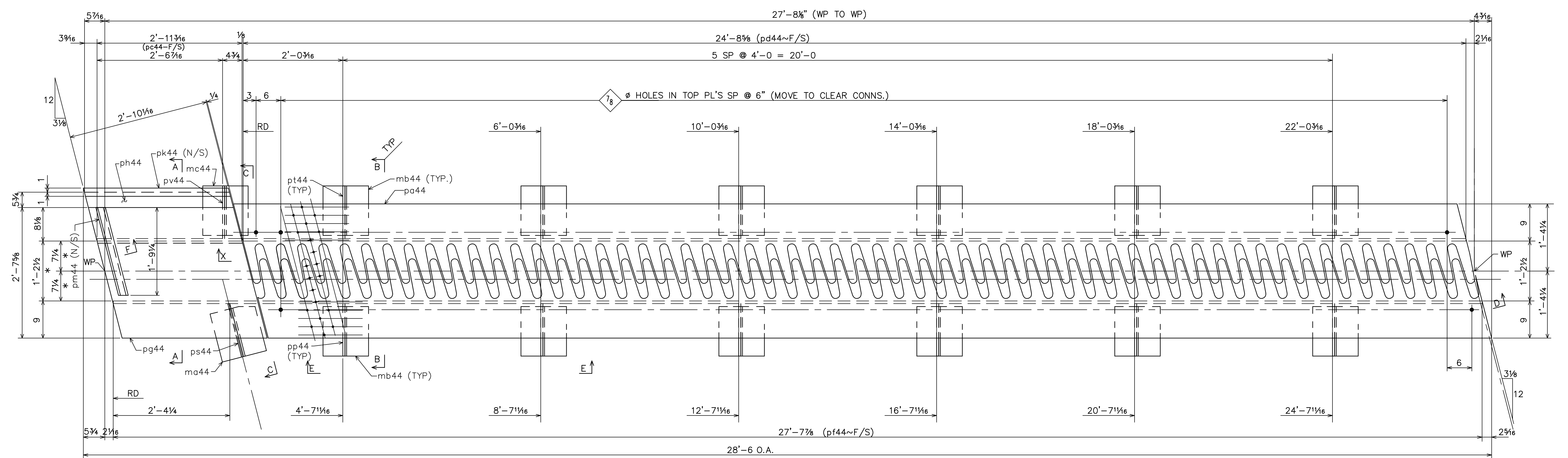


CALC. "W":
 $(3\frac{3}{4} + 6\frac{3}{4} + 3\frac{3}{4} + 1\frac{1}{2} - 5\frac{1}{2}) \cos 14.5^\circ = 1'-11\frac{1}{4}$
 $1'-11\frac{1}{4} + (2 \times 9\frac{1}{2}) = 1'-2\frac{1}{2}$

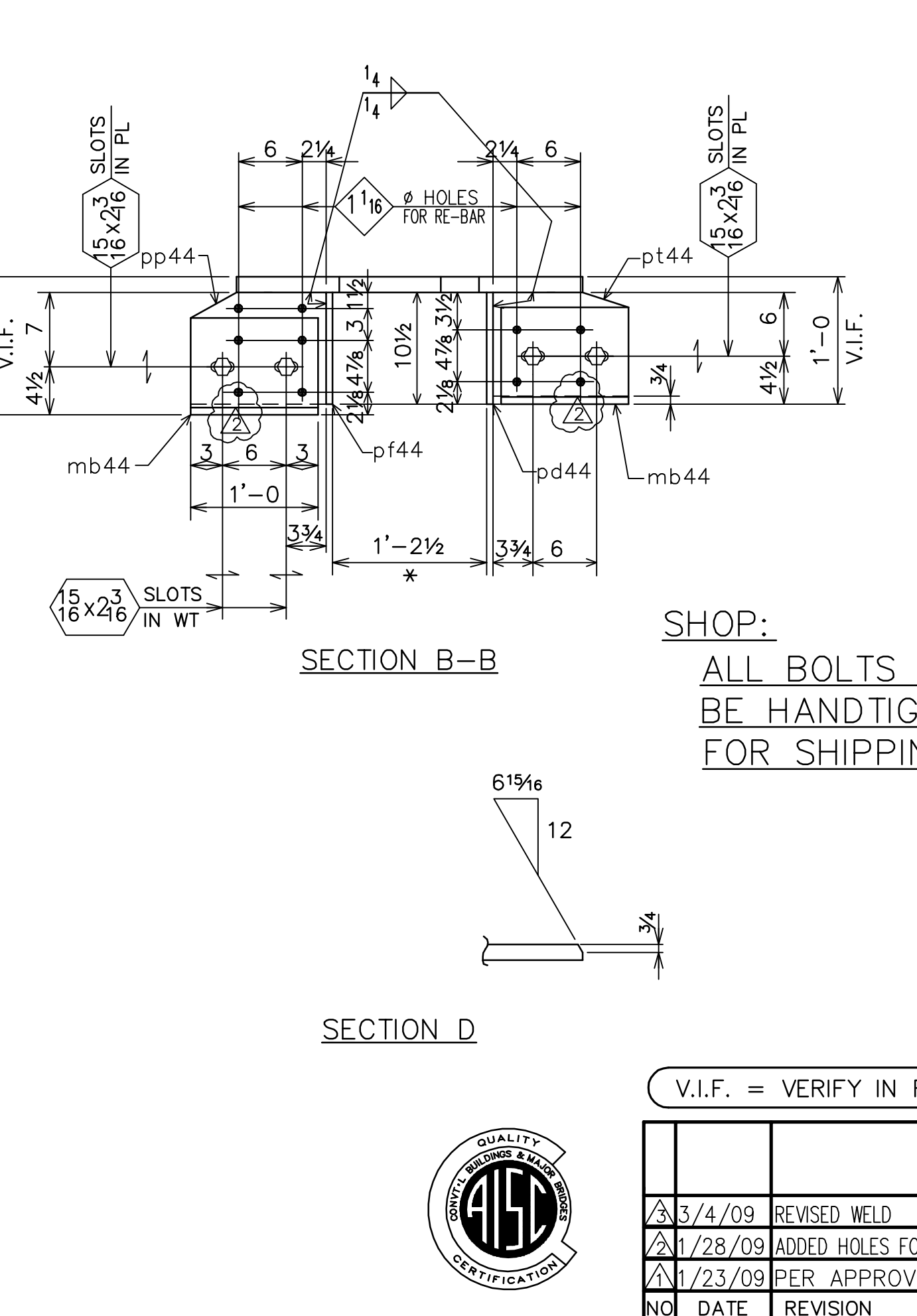
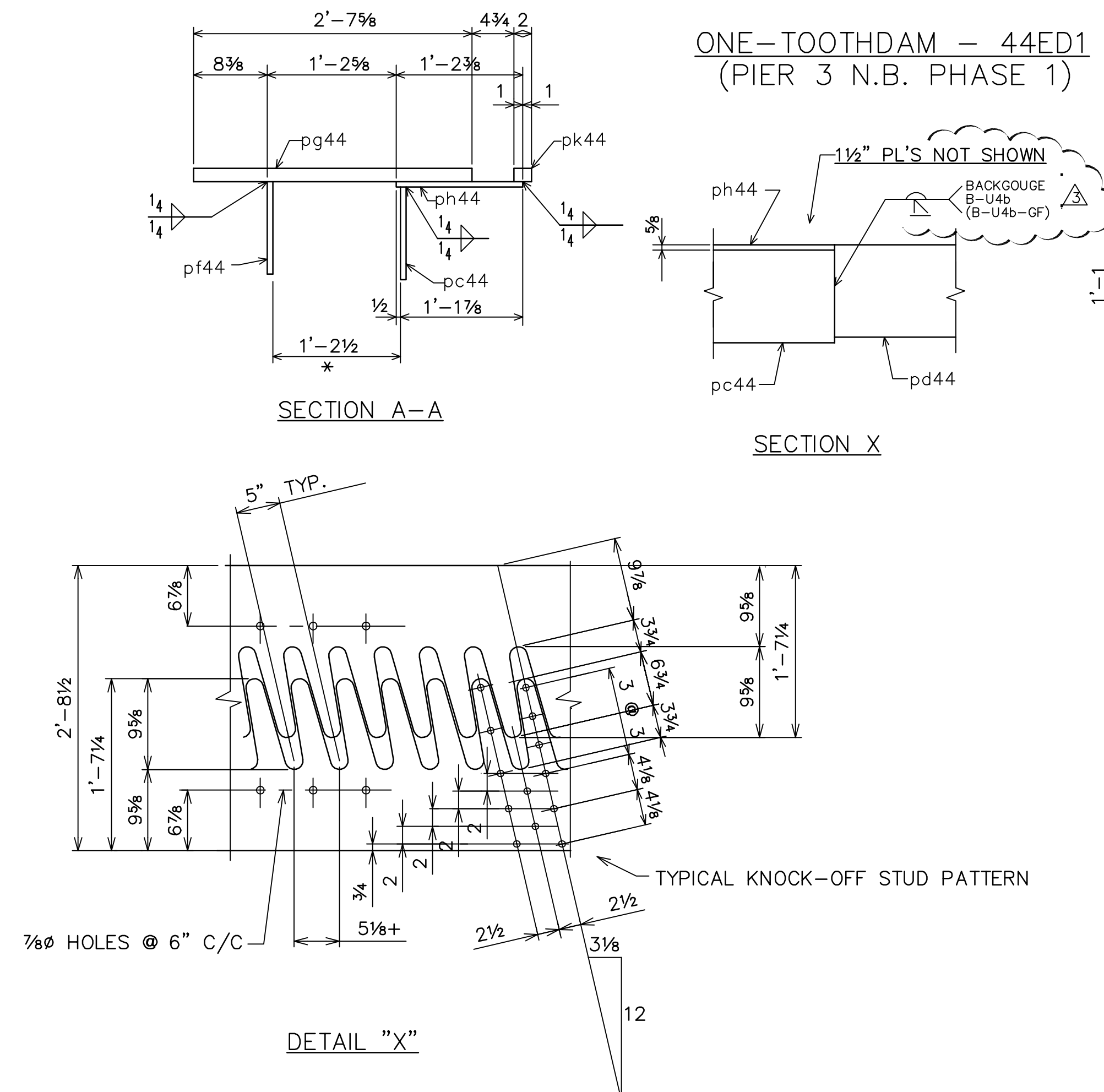
TYPICAL TOOTH JOINT - PIER 3 N.B.

DESIGNER CERTIFICATION	CONTRACTOR APPROVAL STAMP AND SIGNATURE
PELET'S WELDING, INC. STEEL FABRICATORS 19 NORTH 12TH AVENUE COATESVILLE, PA 19320 PHONE: 610-384-4556 FAX: 610-380-0608	
MONTGOMERY COUNTY S.R. 0476 SECTION RES SEG 0164 OFFS 1055 NB SEG 0165 OFFS 1166 SB OVER SCHUYLKILL RIVER	
S-26793 REF.DWG. 168, BC-762M	
TOOTH DAM - PIER 3 N.B.	
DWN: RGY DATE: 9-12-08	CKD: RJS DATE: 9/17/08
CONTR. NO. 08-004	DRAWING NO. E16





BILL OF MATERIAL								
BRIDGE NB	SB	ABM	MARK	NO. REQ'D.	DESCRIPTION	LENGTH FT. IN.	TOTAL WEIGHT	REMARKS
1			44ED1	ONE	TOOTHDAM		8060	
			pa44	ONE	PL1 1/2x29	25 4 3/16		CUTS 2
			pc44	ONE	PL 3/8x10 1/2	2 1 11/16		SS
			pd44	ONE	PL 3/8x10 1/2	24 8 9/16		SS
			pf44	ONE	PL 3/8x10 1/2	27 7 7/8		SS
			pg44	ONE	PL 1 1/2x3 1/8	3 7 3/8		
			ph44	ONE	PL 3/8x14 3/8	3 2 7/8		
			pk44	ONE	PL 1 1/2x2	2 1 11/16		
			pm44	ONE	PL 1/2x6	1 10 1/2		BENT
			pp44	6	PL 1/2x10 1/2	1 0 3/4		
			ps44	ONE	PL 1/2x6 3/4	1 1 1/4		
			pt44	6	PL 1/2x9 3/4	1 0 3/4		
			pv44	ONE	PL 1/2x9 1/8	1 0 3/4		
			ma44	ONE	PC W18x76	1 0		CUT TO 6"
			mb44	12	WT9x38	1 0		
			mc44	ONE	PC W18x76	1 0		CUT TO 8"
			md44	28	3/4 Ø HEADED STUD	1 4		
			mf44	28	3/4 Ø HEADED STUD	0 10		
			pw44	4	PL 1/4x1 1/2	13 10 9/16		SS
			px44	2	PL 3/8x19 3/4	27 10 1/8		SS BENT
			mg44	56	THD. STUDS 3/8	0 1		SS
				56	3/8 LOCK NUT			SS
				56	3/8 PL WASHER			SS
				916	KNOCK OFF STUDS	0 0 1/4		
				28	7/8 Ø A325 BOLTS	0 2 1/2		W/HN & 2-Ø
FIELD BOLTS(MECH. GALV.)								



WORK THIS DWG W/44A, B, C
* SHOP ASSEMBLE @ THIS DIM. @ 68"

PAINT PER SPECS.	
MATERIAL A709 GRADE 36 U.N. ~ SS=TYPE 304 SS	
HOLES 1 1/16 Ø U.N.	
ELECTRODES AS REQ'D	
TOTAL WEIGHT 8060	
REF. DWGS: GN2, E16	

DESIGNER CERTIFICATION	CONTRACTOR APPROVAL STAMP AND SIGNATURE
------------------------	---

PELET'S WELDING, INC.
STEEL FABRICATORS
19 NORTH 12TH AVENUE
COATESVILLE, PA 19320
PHONE: 610-384-4556
FAX: 610-380-0608

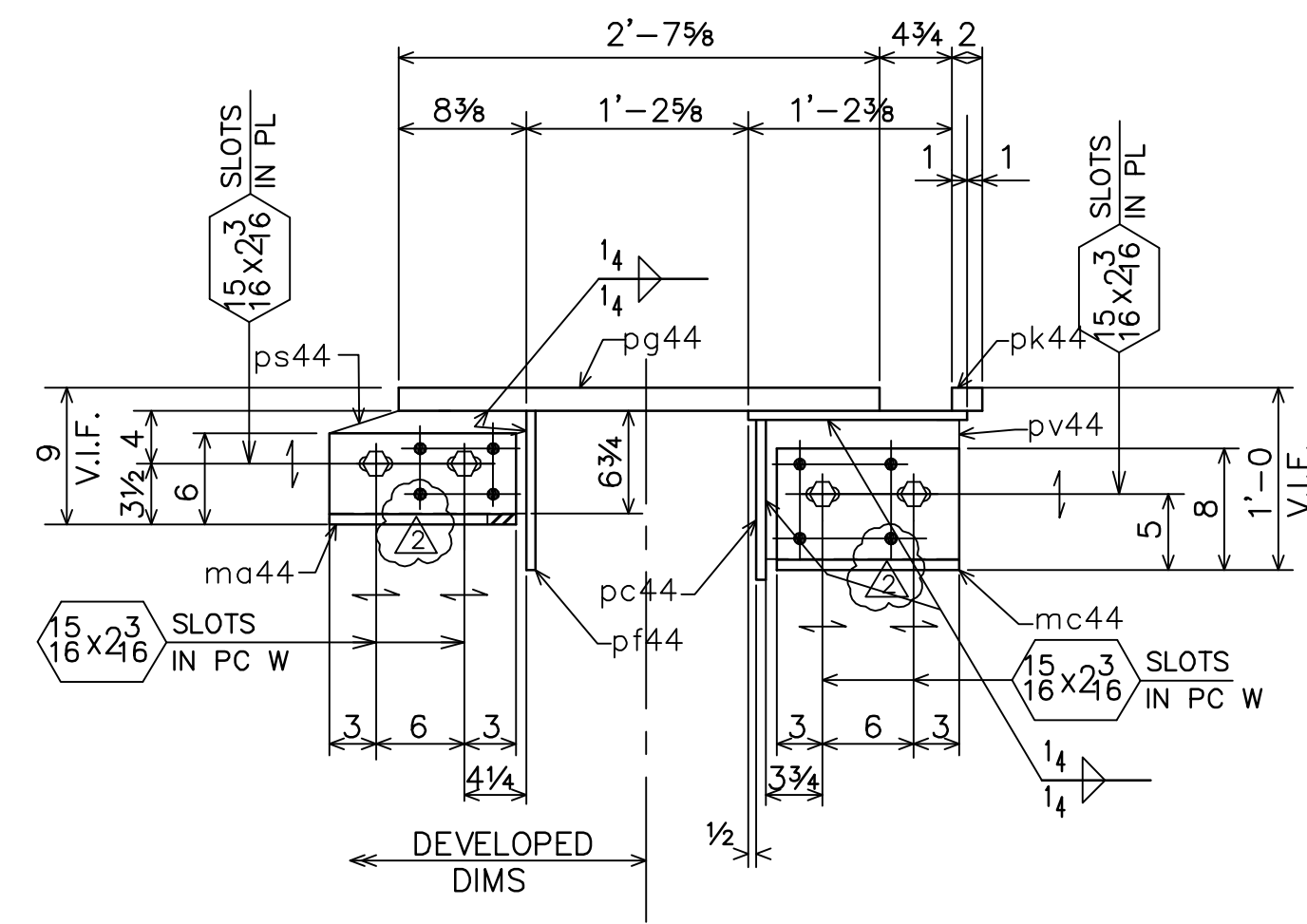
MONTGOMERY COUNTY
S.R. 0476 SECTION RES
SEG 0164 OFFS 1055 NB SEG 0165 OFFS 1166 SB
OVER SCHUYLKILL RIVER

S-26793	REF.DWG. E16, GN2, 168
TOOTH DAM - PIER 3 N.B.	
DWN: DAN	DATE: 11-14-08
CKD: RGY	DATE: 1-19-09
CONTR. NO. 08-004	DRAWING NO. 44

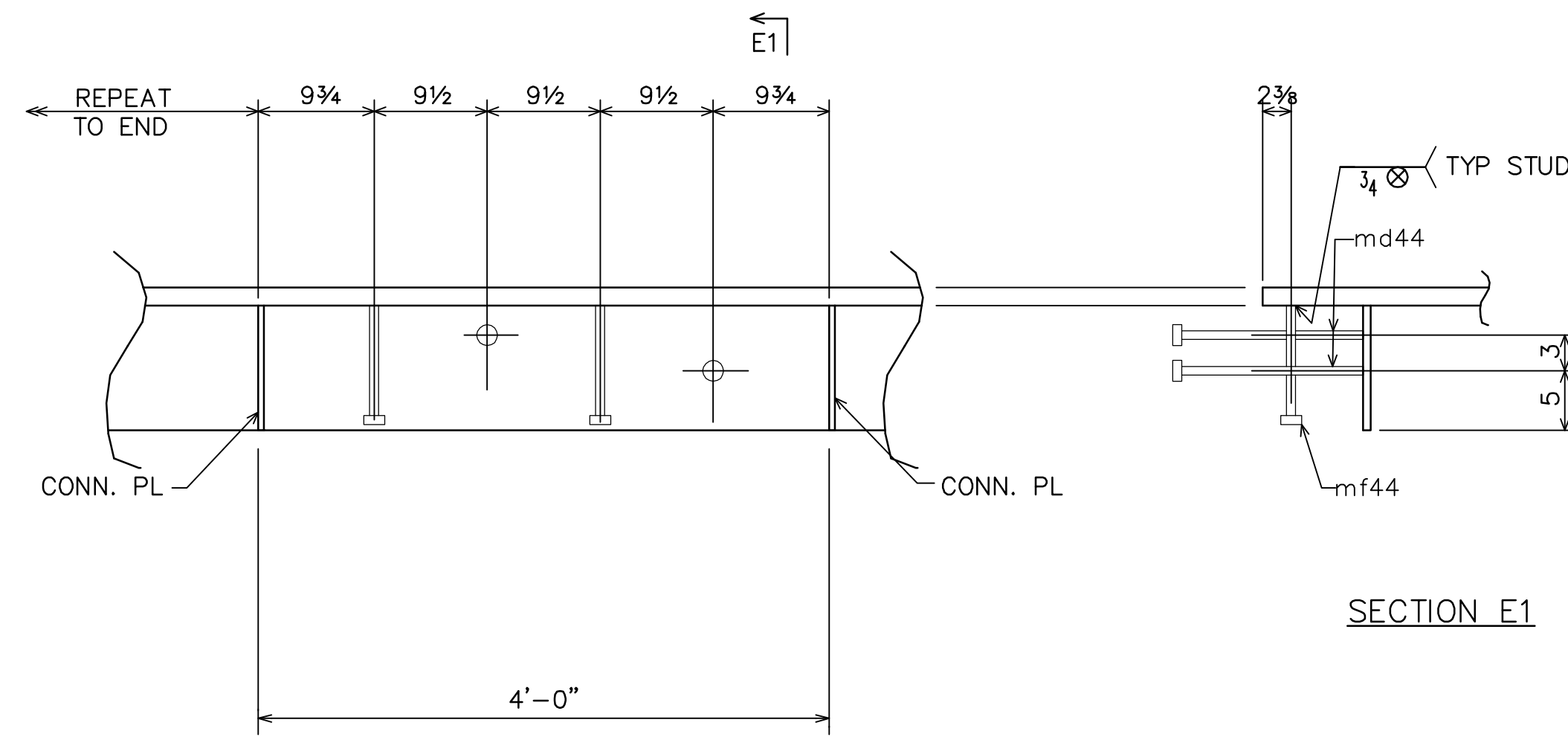
V.I.F. = VERIFY IN FIELD



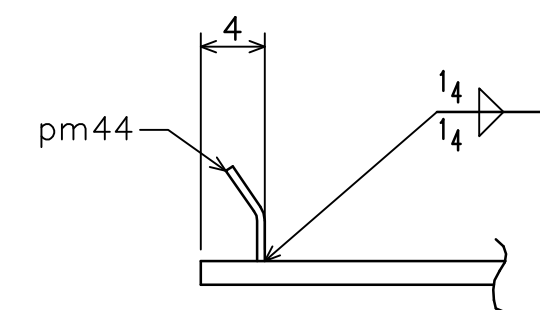
NO.	DATE	REVISION
3	3/4/09	REVISED WELD
1	1/28/09	ADDED HOLES FOR RE-BAR
1	1/23/09	PER APPROVAL
NO		



SECTION C-C



SECTION E-E



SECTION F

PAIN T PAINT PER SPECS.
MATERIAL A709 GRADE 36 U.N. ~ SS = TYPE 304 SS
HOLES 1 9/16 Ø U.N.
ELECTRODES
TOTAL WEIGHT .
REF. DWGS: GN2, E16

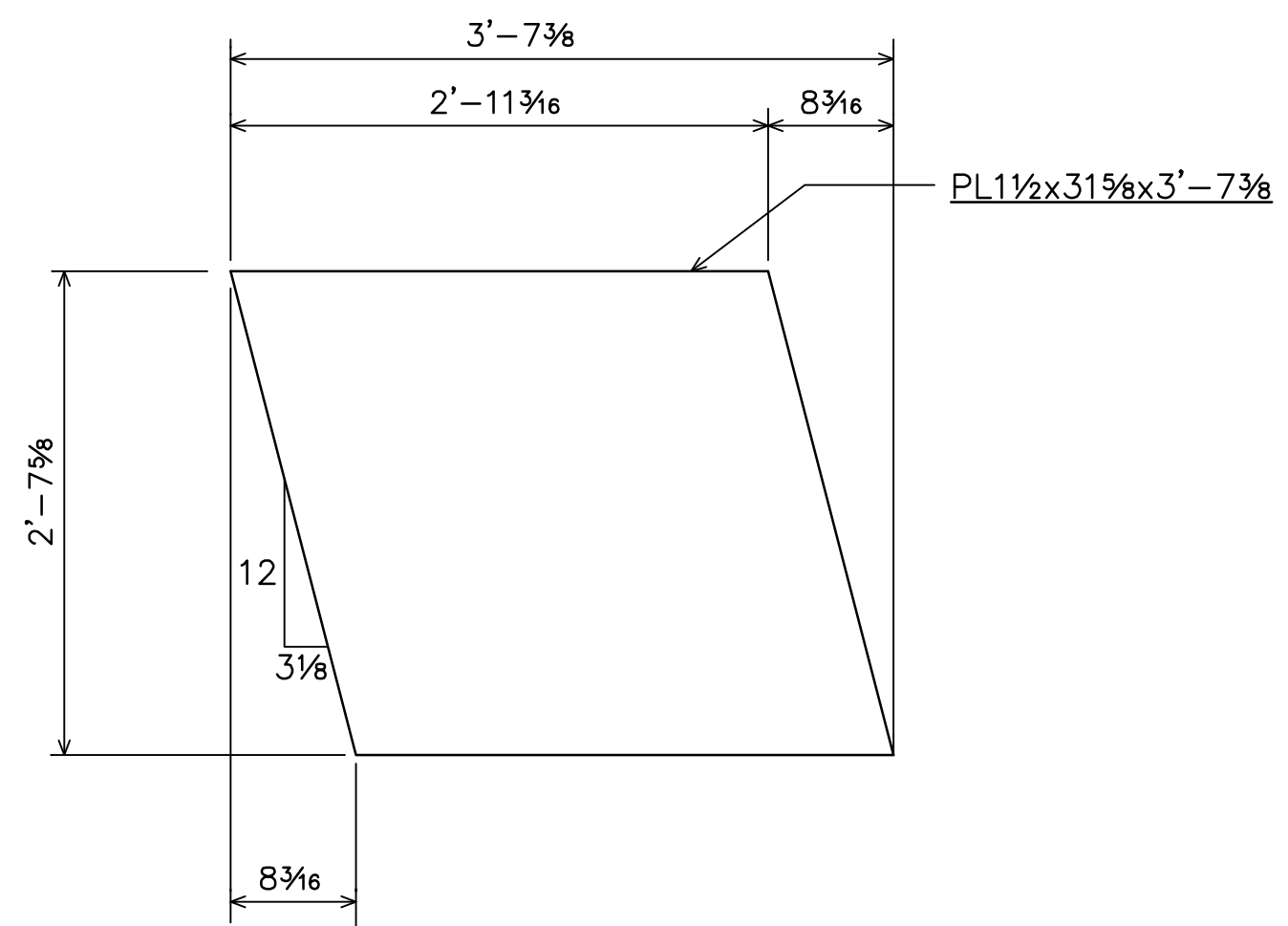
DESIGNER CERTIFICATION	CONTRACTOR APPROVAL STAMP AND SIGNATURE

PELET'S WELDING, INC.
 STEEL FABRICATORS
 19 NORTH 12TH AVENUE
 COATESVILLE, PA 19320
 PHONE: 610-384-4556
 FAX: 610-380-0608

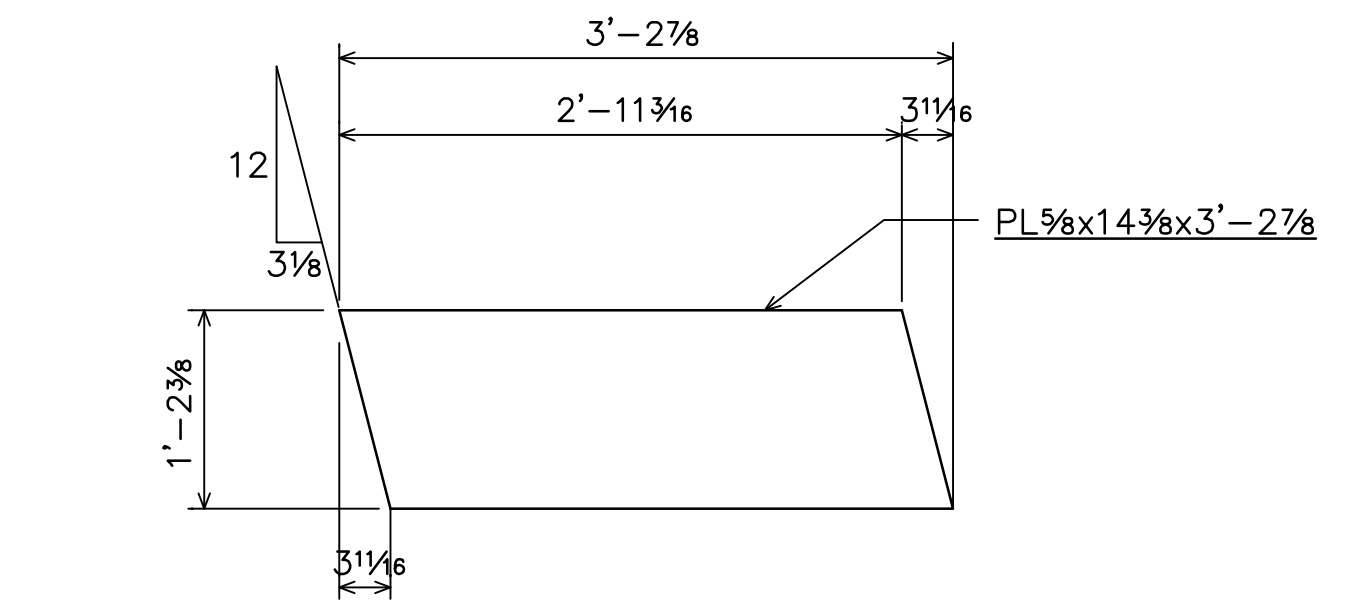
MONTGOMERY COUNTY S.R. 0476 SECTION RES SEG 0164 OFFS 1055 NB SEG 0165 OFFS 1166 SB OVER SCHUYLKILL RIVER
S-26793 REF.DWG. E16, GN2, 168 TOOTH DAM - PIER 3 N.B.
DWN: DAN DATE: 11-17-08 CKD: RGY DATE: 1-20-09
CONTR. NO. 08-004 DRAWING NO. 44A



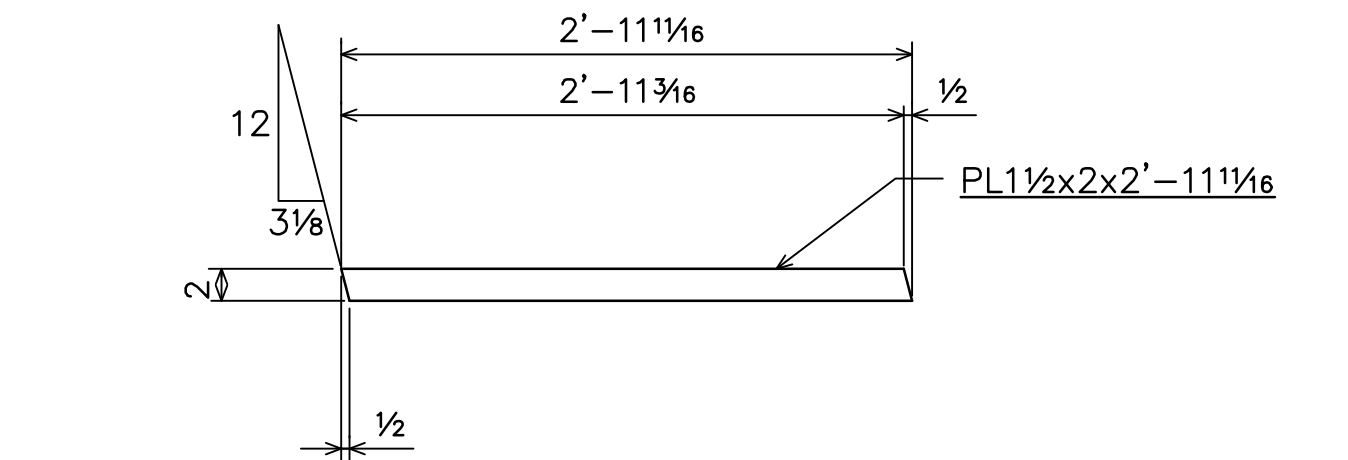
NO	DATE	REVISION
1	1/28/09	ADDED HOLES FOR RE-BAR
2	1/26/09	PER APPROVAL



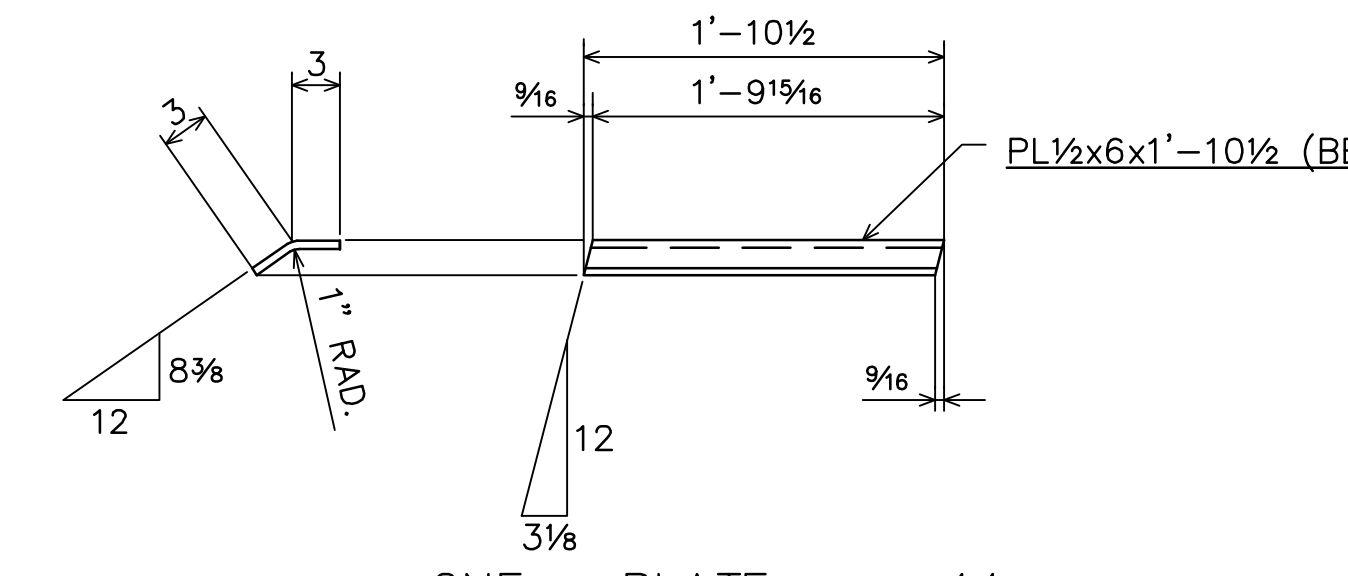
ONE - PLATE - pg44



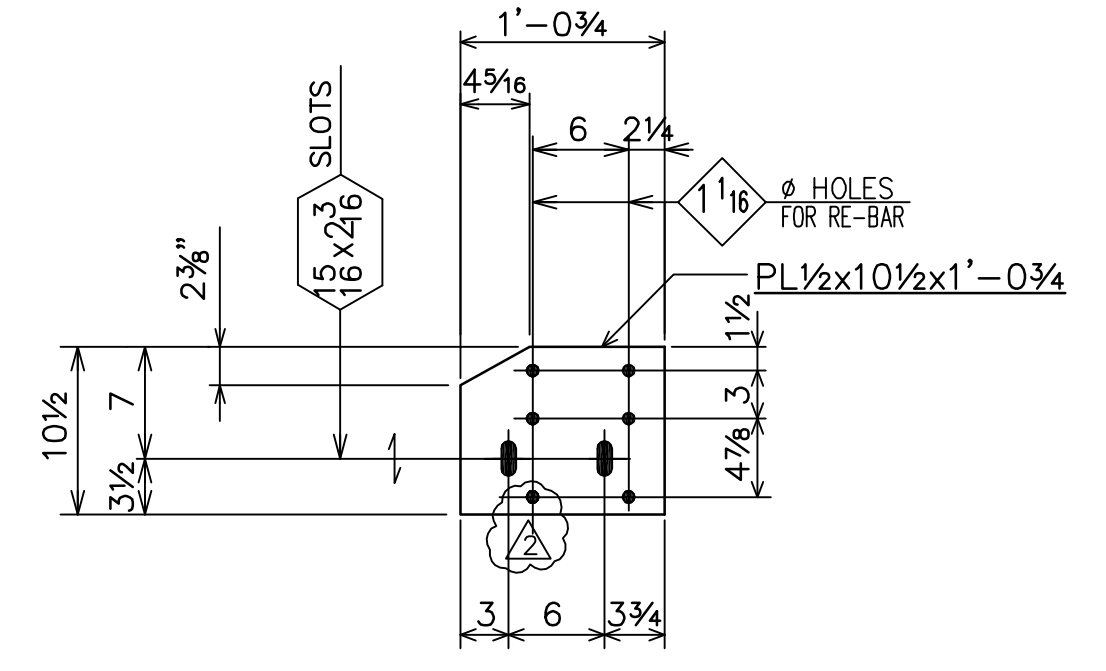
ONE - PLATE - ph44



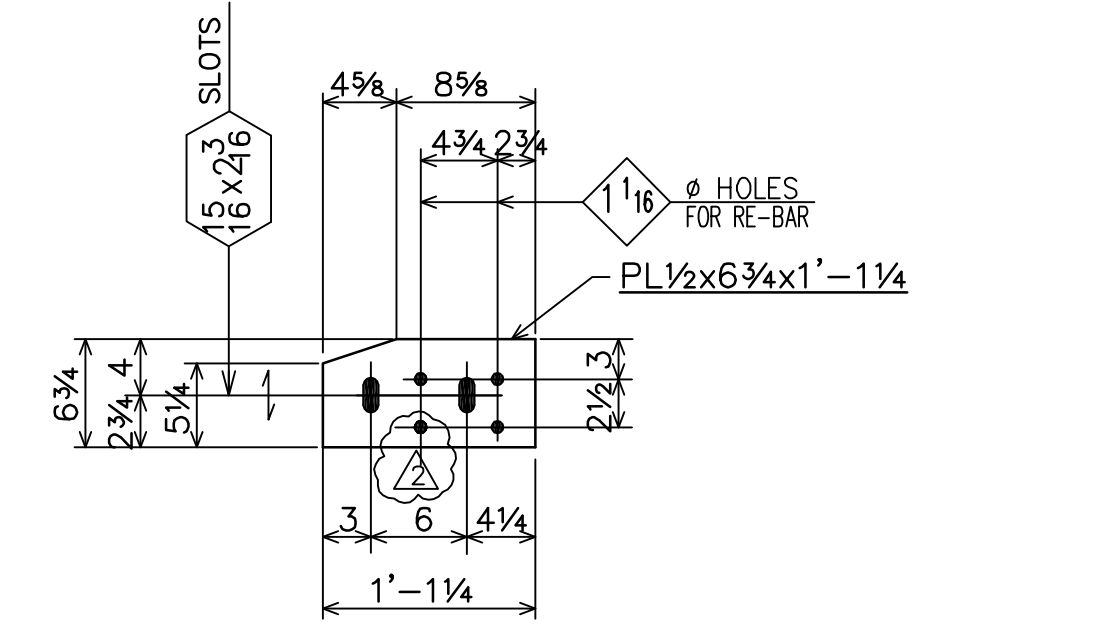
ONE - PLATE - pk44



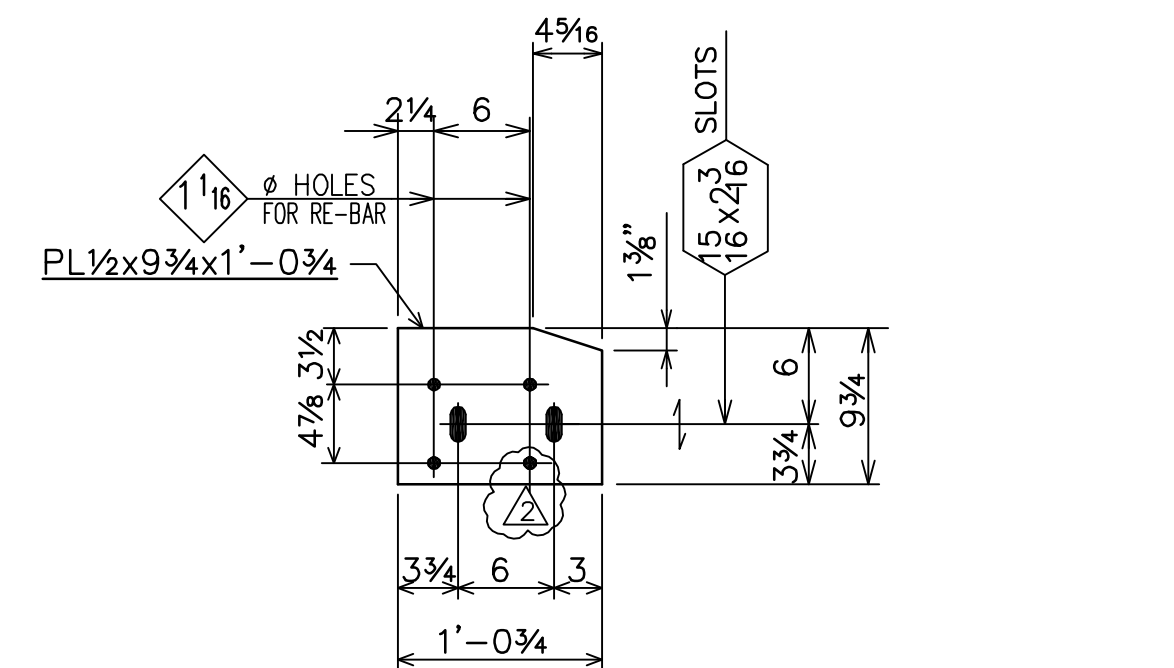
ONE - PLATE - pm44



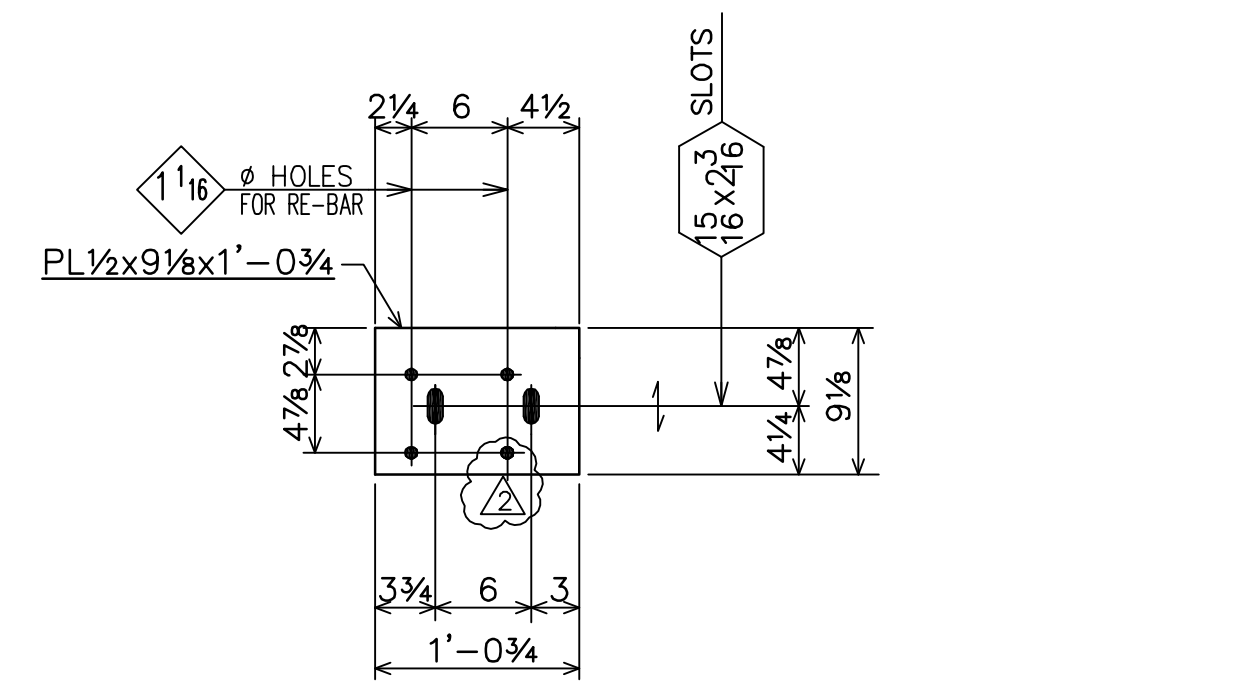
6 - PLATES - pp44



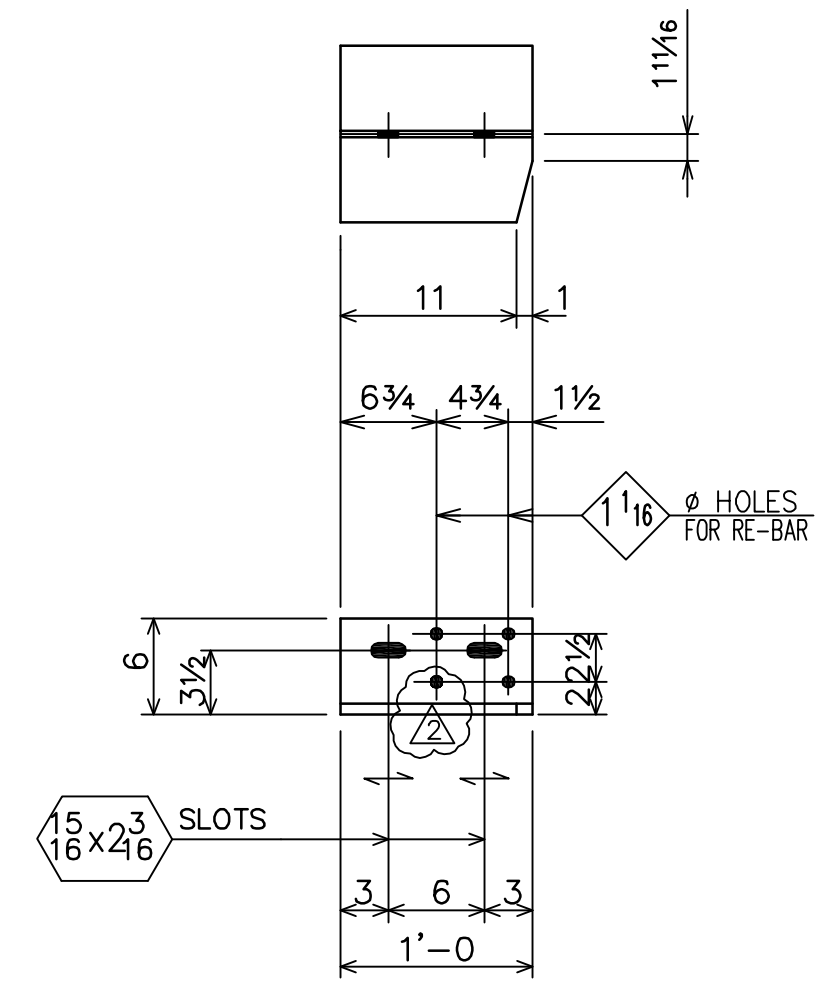
ONE - PLATE - ps44



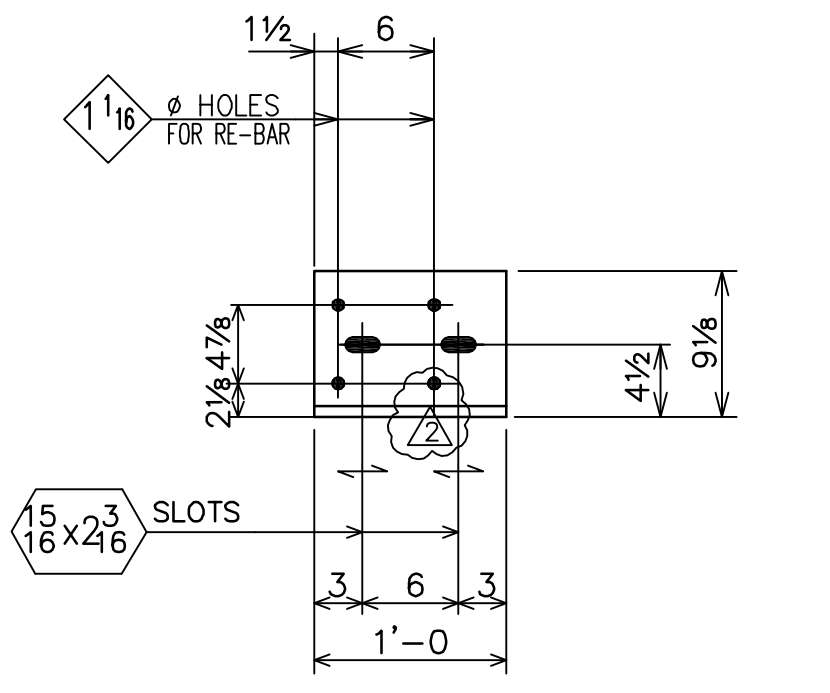
6 - PLATES - pt44



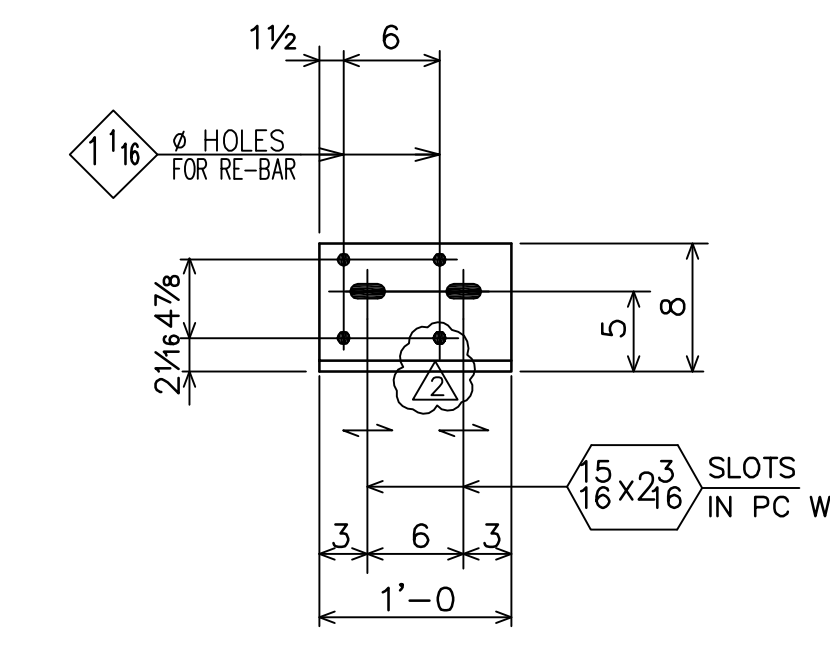
ONE - PLATE - pv44



ONE - PC W18x76 x 1'-0 - ma44



12 - WT9x38 x 1'-0 - mb44



ONE - PC W18x76 x 1'-0 - mc44

PAINT PAINT PER SPECS.	
MATERIAL A709 GRADE 36 U.N. ~ SS=TYPE 304 SS	
HOLES 1 9/16" U.N.	
ELECTRODES AS REQ'D	
TOTAL WEIGHT .	
REF. DWGS:	

DESIGNER CERTIFICATION	CONTRACTOR APPROVAL STAMP AND SIGNATURE
------------------------	--

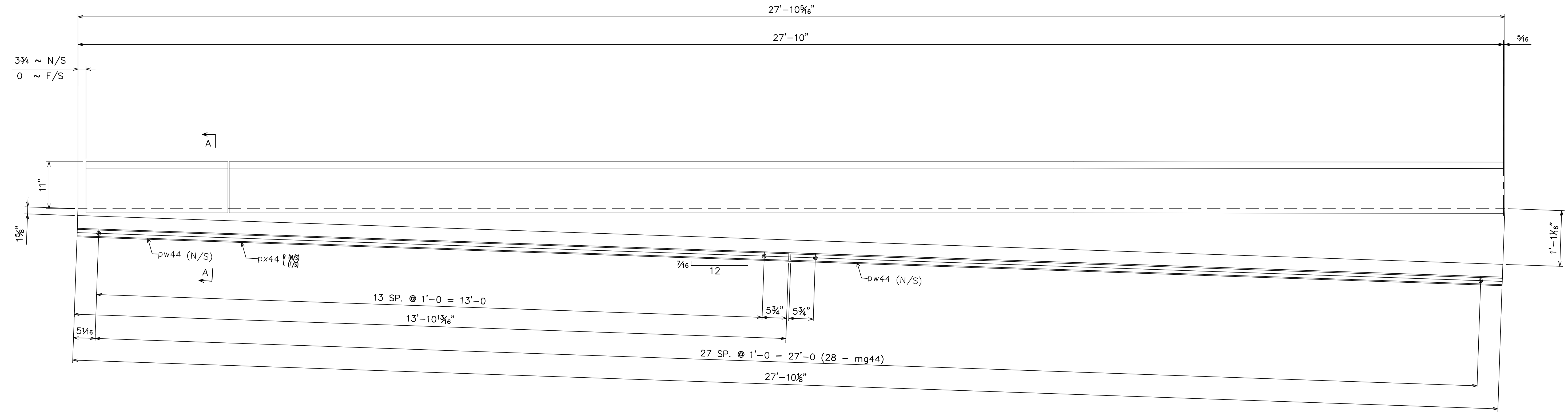
PELET'S WELDING, INC.
STEEL FABRICATORS
 19 NORTH 12TH AVENUE
 COATESVILLE, PA 19320
 PHONE: 610-384-4556
 FAX: 610-380-0608

MONTGOMERY COUNTY
 S.R. 0476 SECTION RES
 SEG 0164 OFFS 1055 NB SEG 0165 OFFS 1166 SB
 OVER SCHUYLKILL RIVER

S-26793	REF.DWG. E16 G2, 168
TOOTH DAM - PIER 3 N.B.	
DWN: DAN	DATE: 11-18-08
CKD: RGY	DATE: 1-22-09
CONTR. NO. 08-004	DRAWING NO. 44B



NO	DATE	REVISION
1	1/28/09	ADDED HOLES FOR RE-BAR
2	1/26/09	PER APPROVAL



ELEVATION-SS DRAIN TROUGH

* SHOP ASSEMBLE @ THIS DIM. @ 68°

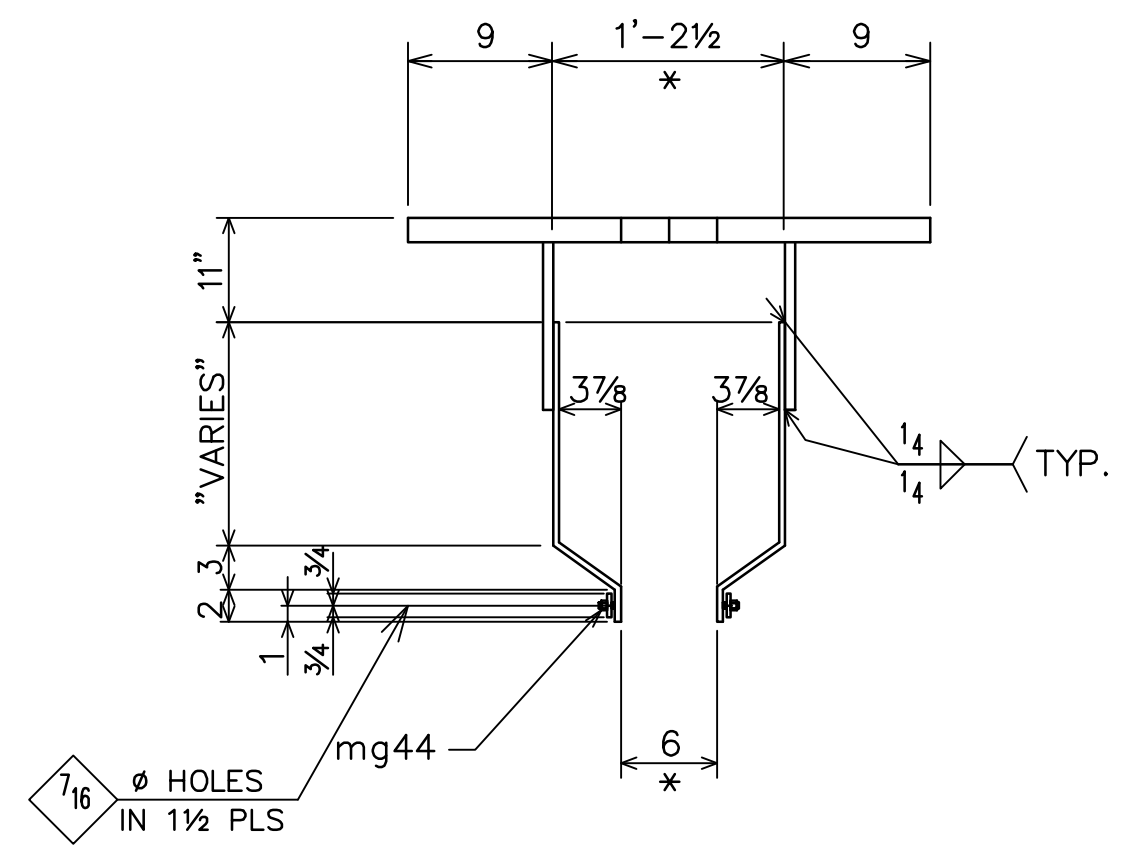
PAIN PAINT PER SPECS.
MATERIAL 304 SS
HOLES 7/16" U.N.
ELECTRODES AS REQ'D
TOTAL WEIGHT .
REF. DWGS:

DESIGNER CERTIFICATION	CONTRACTOR APPROVAL STAMP AND SIGNATURE
------------------------	--

PELET'S WELDING, INC.
STEEL FABRICATORS
 19 NORTH 12TH AVENUE
 COATESVILLE, PA 19320
 PHONE: 610-384-4556
 FAX: 610-380-0608

MONTGOMERY COUNTY
 S.R. 0476 SECTION RES
 SEG 0164 OFFS 1055 NB SEG 0165 OFFS 1166 SB
 OVER SCHUYLKILL RIVER

S-26793	REF.DWG. E16
SS TROUGH ~ TOOTH DAM - PIER 3 N.B.	
DWN: RGY DATE: 11-18-08	CKD: SAI DATE: 1-22-09
CONTR. NO. 08-004	DRAWING NO. 44C



SECTION A-A
(DEVELOPED)



NO	DATE	REVISION
	1/26/09	PER APPROVAL