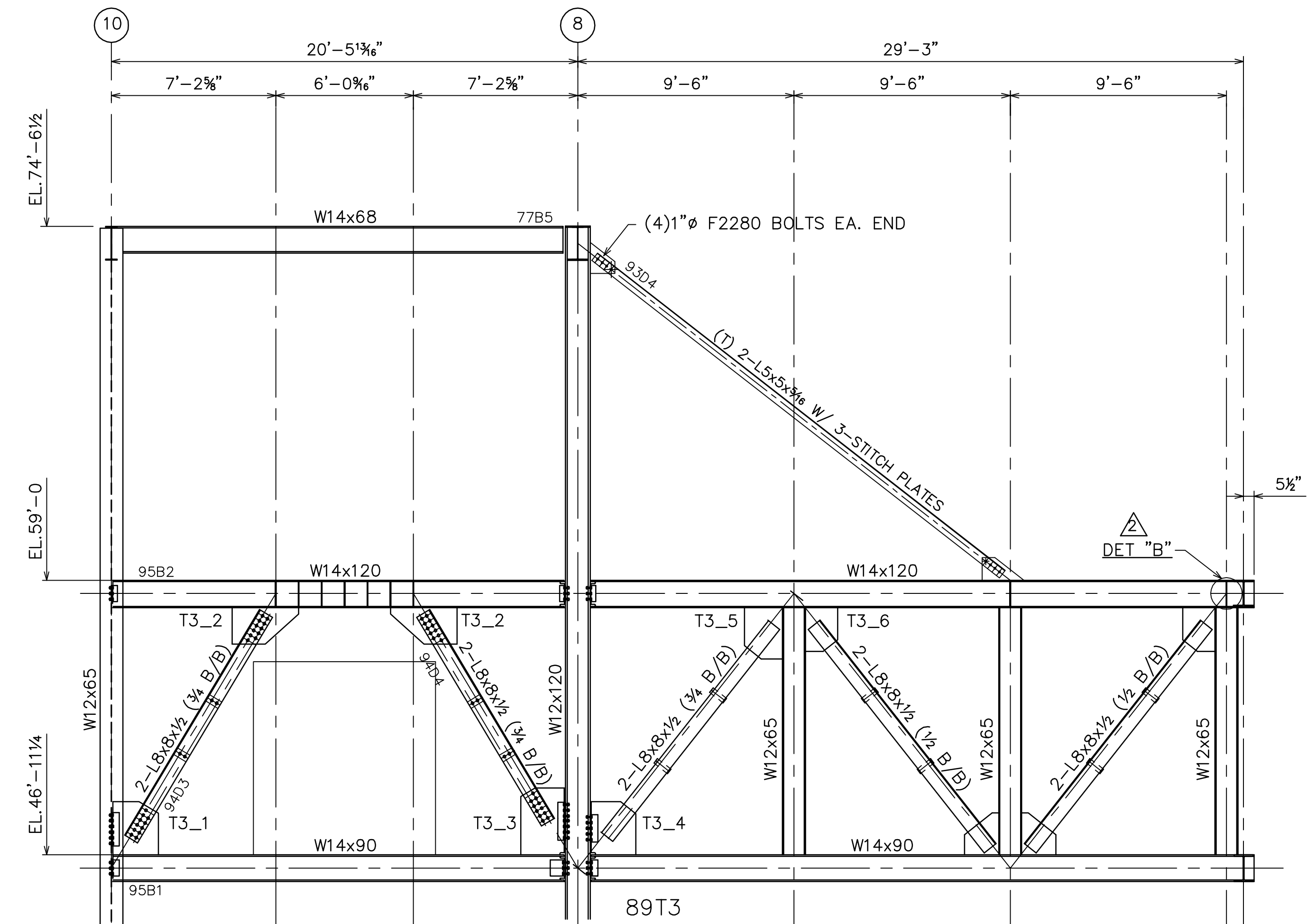


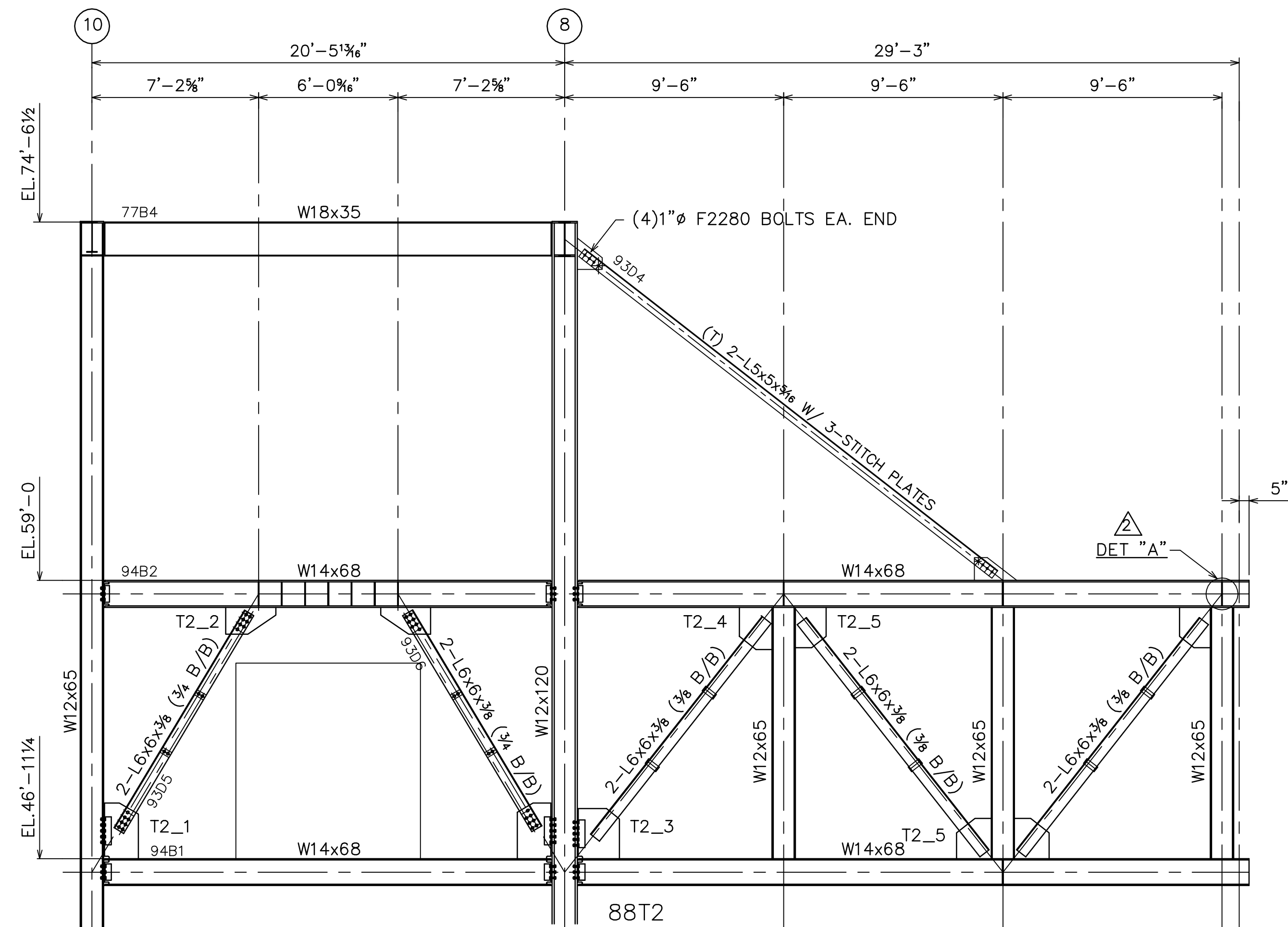
ERECTOR NOTE:  
 ALL TRUSS CONNECTIONS  
 TO BE MADE WITH 1" Ø  
 F2280 BOLTS (U.N.) 3/4  
 INDICATES 3/4 Ø F1852 BOLTS  
 (T) DENOTES TEMPORARY  
 SUPPORT MEMBERS TO  
 BE REMOVED AFTER FINAL  
 CONNECTIONS ARE MADE.

TRUSS T-1  
 LOOKING NORTH  
 SEQUENCE 1



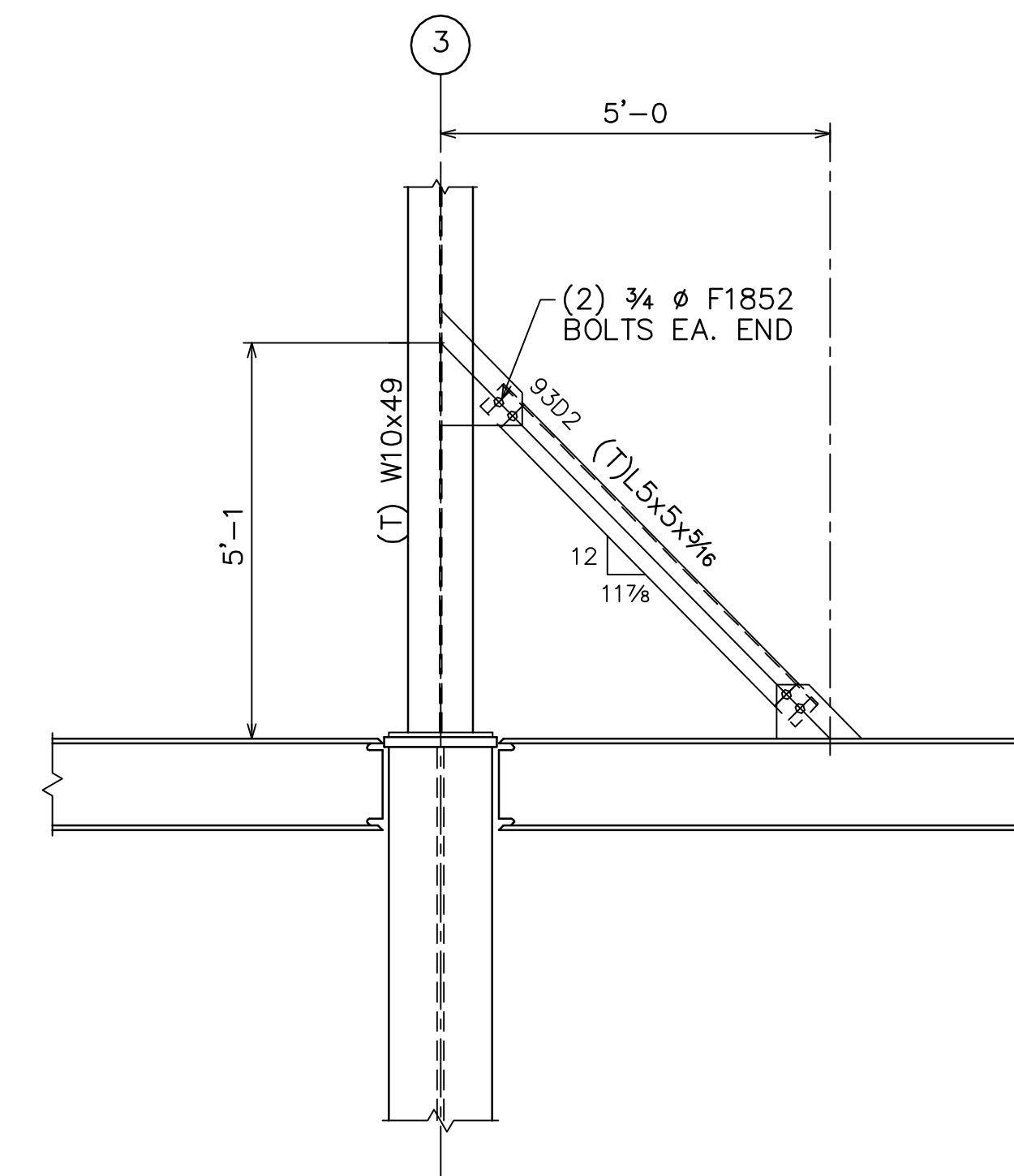
ERECTOR NOTE:  
 ALL TRUSS CONNECTIONS  
 TO BE MADE WITH 3/4" DIA.  
 F1852 BOLTS (U.N.).  
 (T) DENOTES TEMPORARY  
 SUPPORT MEMBERS TO  
 BE REMOVED AFTER FINAL  
 CONNECTIONS ARE MADE.

TRUSS T-3  
 LOOKING EAST  
 SEQUENCE 2

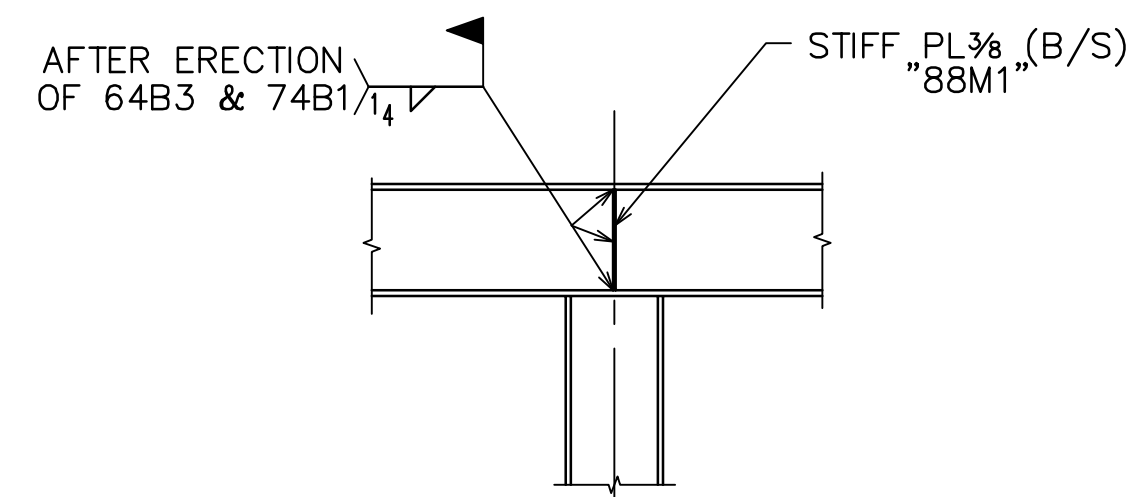


ERECTOR NOTE:  
 ALL TRUSS CONNECTIONS  
 TO BE MADE WITH 3/4" DIA.  
 F1852 BOLTS (U.N.).  
 (T) DENOTES TEMPORARY  
 SUPPORT MEMBERS TO  
 BE REMOVED AFTER FINAL  
 CONNECTIONS ARE MADE.

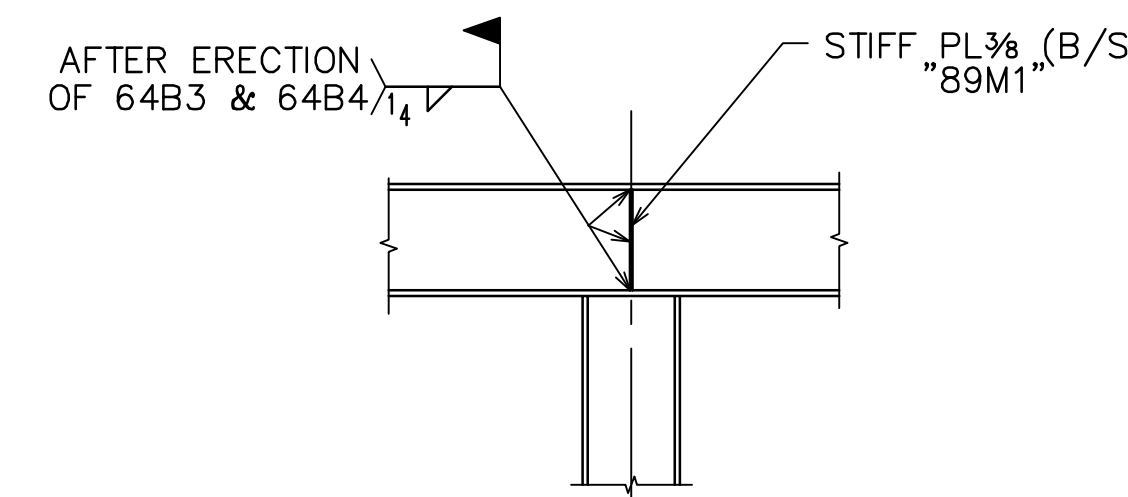
TRUSS T-2  
 LOOKING EAST  
 SEQUENCE 2



SECTION 1  
 LOOKING WEST



DETAIL "A"



DETAIL "B"

APPROVER NOTE:  
 T1\_1 INDICATES NUMBER OF CONNECTION DESIGN AT THAT LOCATION.

REVISIONS		
REV. NO.	DATE	DESCRIPTION
1	9/7/12	ADDED PIECE MARKS
2	9/17/12	PER CHECKING & APPROVAL

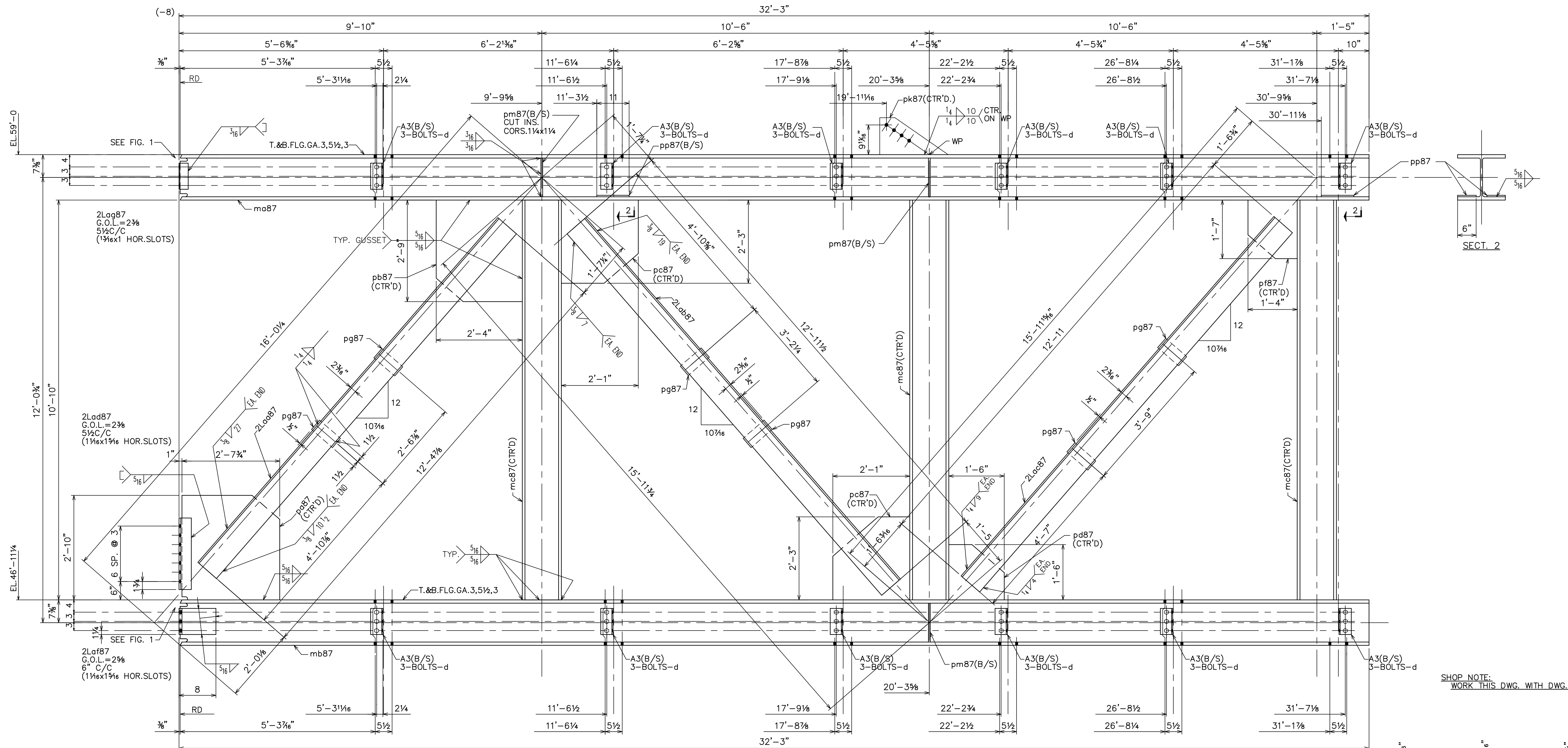
**SCHLOSSER STEEL, Inc.**  
 Structural Steel Fabricators  
 2641 Township Line Rd. Hatfield, Pa.

TRUSS ELEVATIONS  
**CANCER TREATMENT CENTERS OF AMERICA**  
 PHILADELPHIA, PENNSYLVANIA

PREP: SEE DETAILS	WELD: E70xx (LH)	ORDER NO. C5728
PAINT: SEE DETAILS	HOLES: 13/16 (UNO)	SHEET NO. E8
MATL: A36 (UNO)	MADE BY: RGY	DATE: 8-2-2012
	CHK'D BY: ALY	

PRINT RECORD			
NO.	DT.	TO	FOR





ONE - TRUSS - 87T1

BILL OF MATERIAL

NO.	SHAPE	LENGTH		MARK	REMARKS	WT.	NO.	SHAPE	LENGTH		MARK	REMARKS	WT.
		FT	IN						FT	IN			
ONE	TRUSS			87T1		15821							
1	W14x145 (A992)	32	2 5/8	ma87	PREP.1E.								
1	W14x145 (A992)	32	2 5/8	mb87	PREP.1E.								
3	W12x96 (A992)	10	10	mc87	SQ.2E.								
2	L8x8x1/2	12	4 7/8	oa87									
2	L8x8x1/2	12	11 1/2	ob87									
2	L8x8x1/2	12	11	oc87									
2	L4x4x3/8	1	9 1/2	od87									
2	L8x6x1	0	8 1/2	of87									
2	L4x4x1/2	0	8 1/2	og87									
24	L4x4x3/8	0	8 1/2	A3									
1	PL 3/4 x 31 3/4	2	10	pa87	A572-50								
1	PL 3/4 x 28	2	9	pb87	A572-50								
2	PL 3/4 x 25	2	3	pc87	A572-50								
1	PL 3/4 x 18	1	6	pd87	A572-50								
1	PL 3/4 x 16	1	7	pe87	A572-50								
6	PL 3/4 x 3	0	9	pg87									
1	PL 1/2 x 12	1	10 1/4	pk87									
6	PL 3/8 x 7	1	0 1/2	pm87									
36	3/8 F1852 BOLTS	0	2 1/2	d			FIELD BOLTS						
4	PL 1/2 x 6	0	11	pp87	A572-50		72	3/8 F1852 BOLTS x 2	4-1" F2280 x 2 1/2				

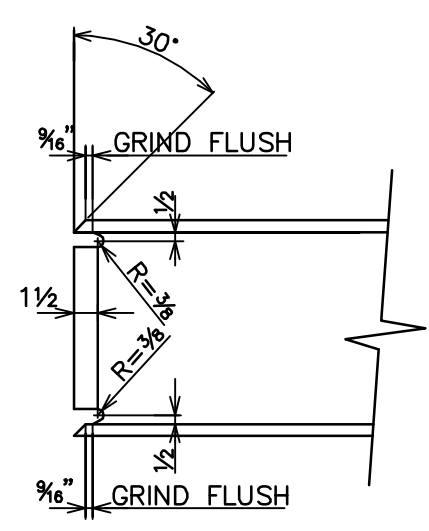


FIGURE 1

REVISIONS		
REV. NO.	DATE	DESCRIPTION
1	9-10-12	REV. PL "pp87" GRADE TO A572-50

**SCHLOSSER STEEL, Inc.**  
 Structural Steel Fabricators  
 2641 Township Line Rd. Hatfield, Pa.

TRUSS T-1 DETAILS  
**CANCER TREATMENT CENTERS OF AMERICA**  
 PHILADELPHIA, PENNSYLVANIA

PREP: SSPC-SP2	WELD: E70xx (LH)	ORDER NO. C5728
PAINT: NONE	HOLES: 1 3/16 (UNO)	SHEET NO. 87
MAT'L: A36 (UNO)	MADE BY: RGY	DATE: 8-23-12
	CHK'D BY: ALY	

PRINT RECORD			
NO.	DT.	TO	FOR

