

LOW ROOF FRAMING PLAN

T.O. STEEL EL. AS NOTED (SEE PLAN)
 T.O. STEEL EL. INDICATES U/S DECK
 S = SLOPING MEMBER
 C = CAMBER

▶ INDICATES MOMENT CONNECTION
 FOR BRACING ELEVATIONS WB-1 ETC. SEE E4 & E5

▬▬▬ INDICATES SPLICE LOCATION
 P4 INDICATES 4" Ø STD PIPE
 FOR SECTIONS & DETAILS NOT SHOWN SEE DWG E9

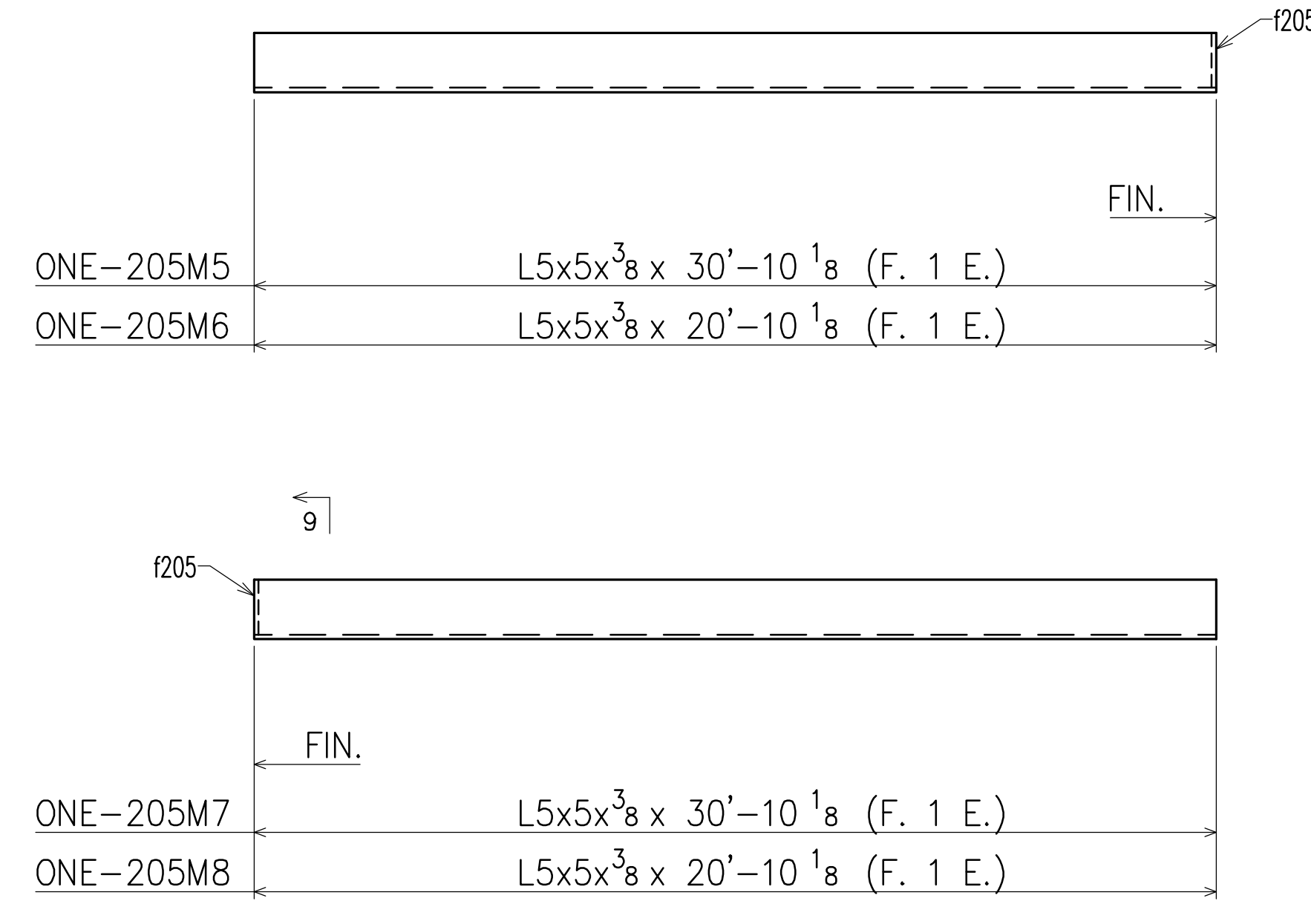
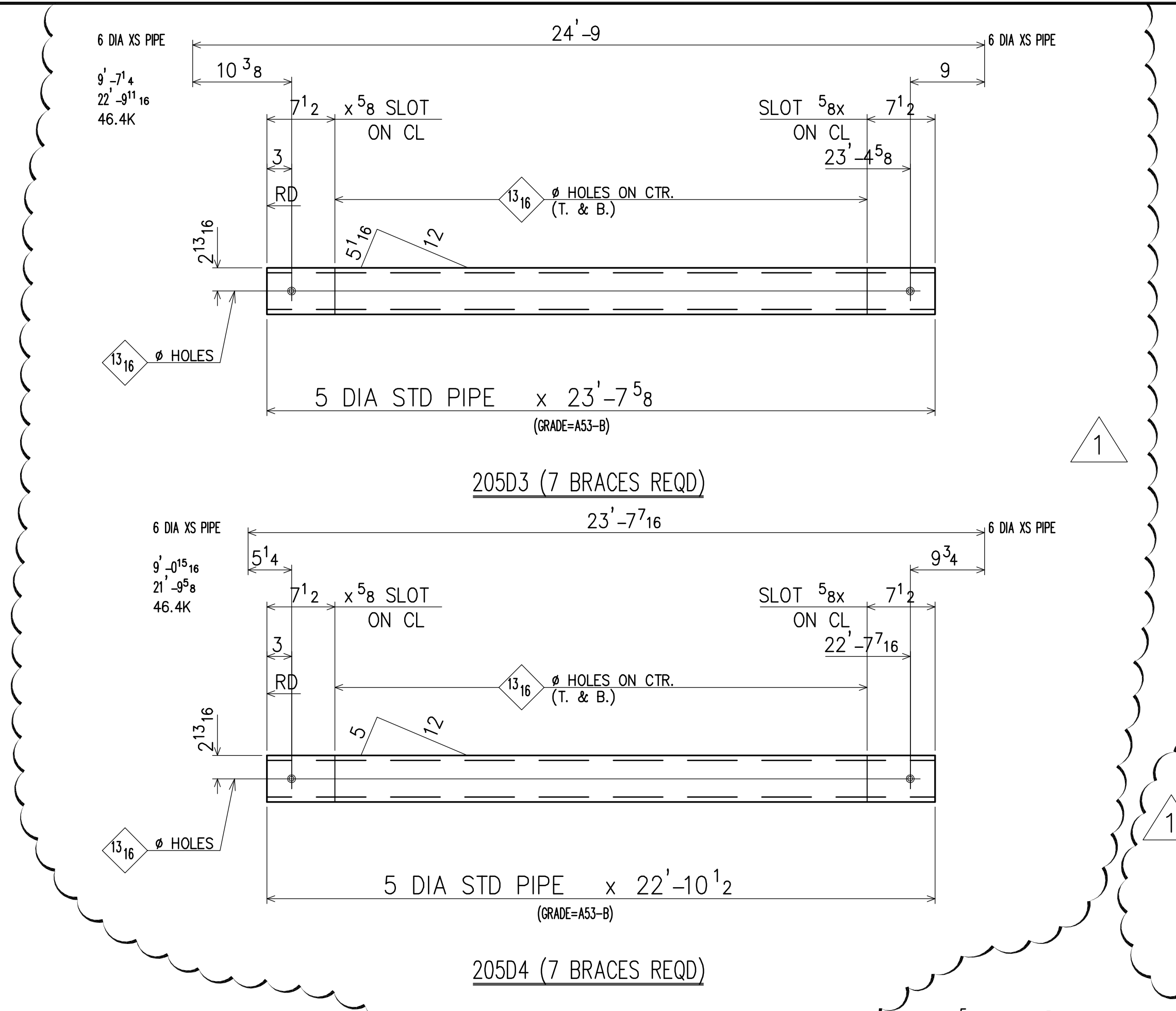
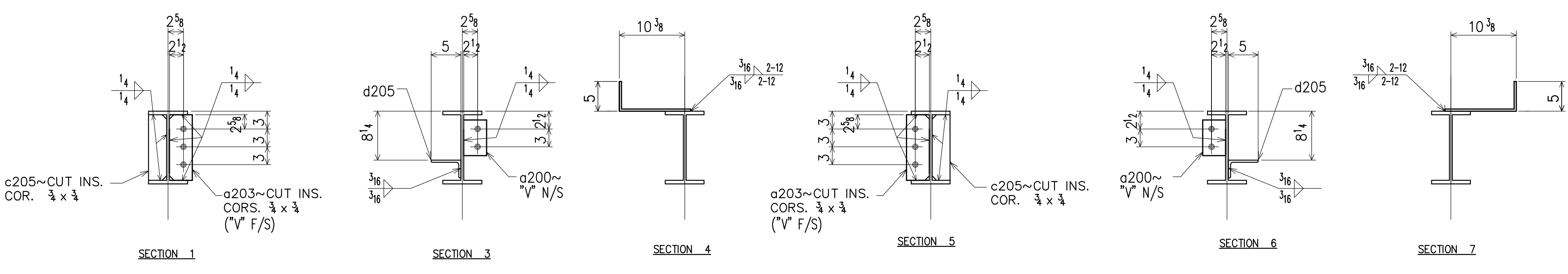
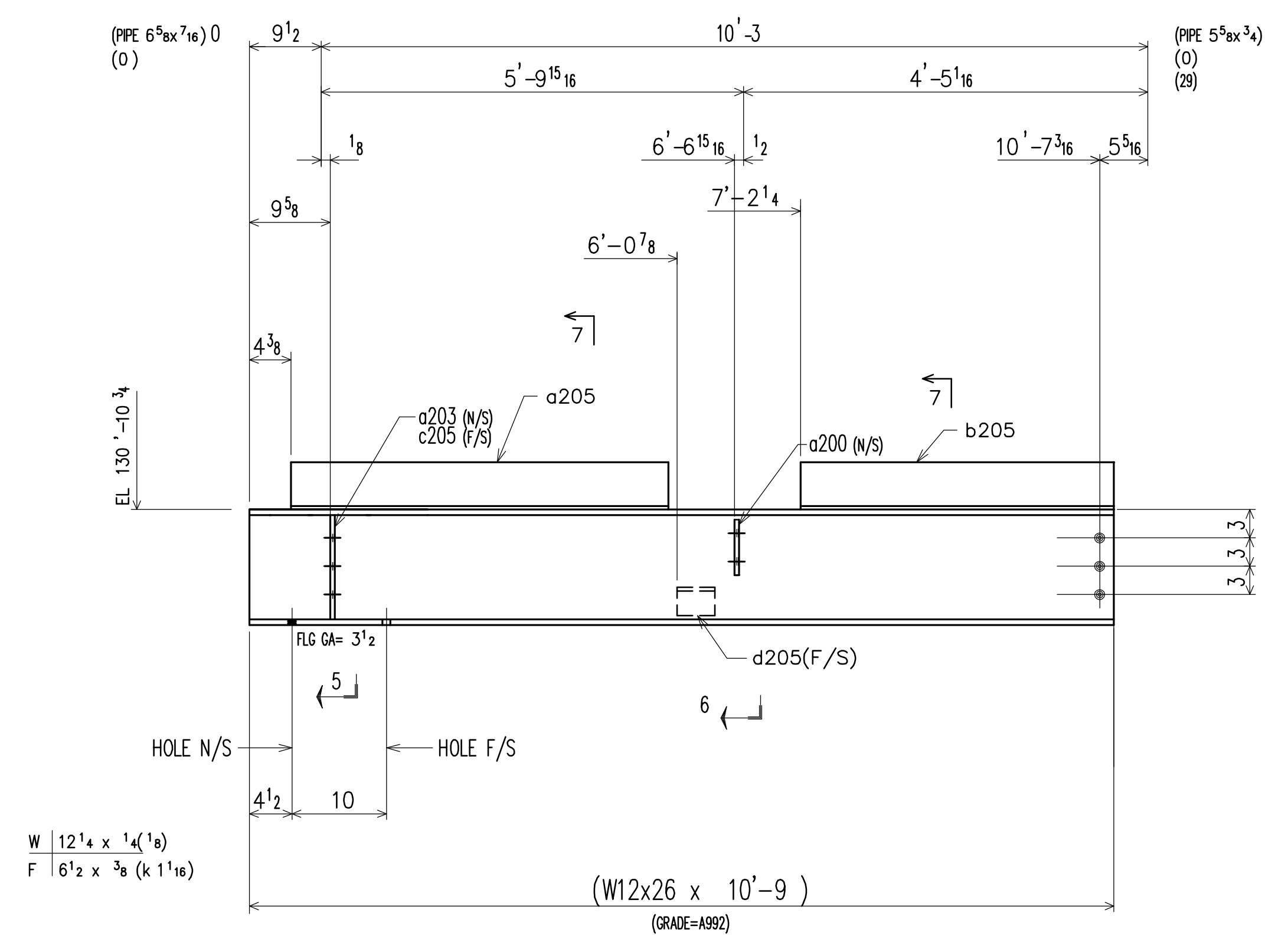
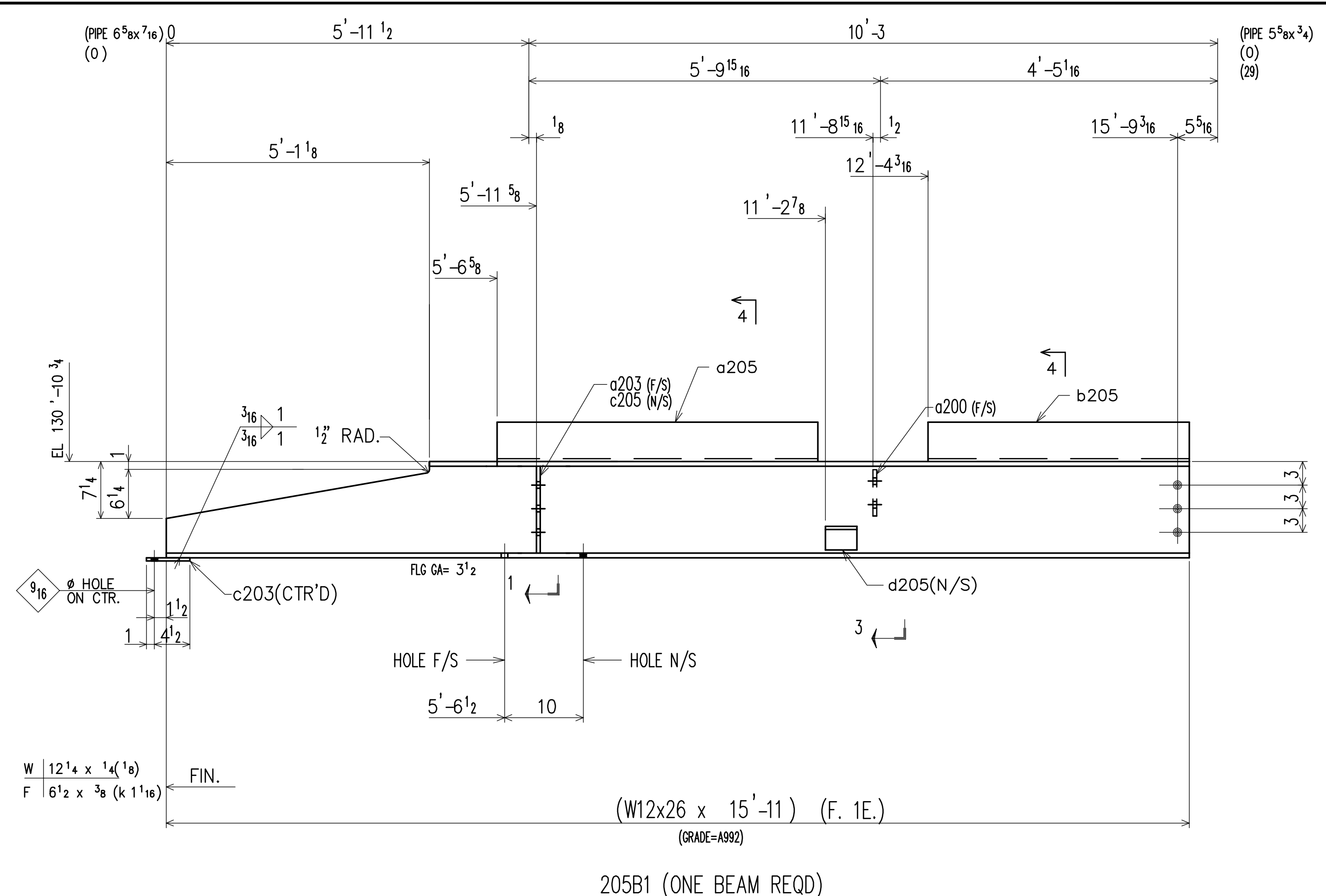
NOTE:
 ALL STEEL AT OR BELOW
 ELEV. 112'-0" SHALL BE
 ARCHITECTURALLY EXPOSED

Rev.	Date	Description	By
1	4/4/11	ADD ROOF FRAMES	ALY
2	2/28/11	REVISE DIM. ALONG GRID 4	ALY
3	2/17/11	RELEASED FOR CONSTRUCTION	SAI

IRWIN STEEL
 15740 Highway 114 ~ Justin, Texas 76247
 Phone (817) 636-2508 ~ Fax (817) 636-2506

PRINT RECORD					
Date	Quan.	For	Date	Quan.	For

Job Name:	UTD BOOKSTORE BUILDING
Location:	DALLAS, TEXAS
Customer:	UNIVERSITY OF TEXAS
Architect:	PAGE SOUTHERLAND PAGE, LLP
DRAWN:	DAN
CHECKED:	RJS
JOB NO.:	1104
CAD NO.:	
SHEET NO.:	E1



Bill of Materials										
Line	Mark	No.	Tot	Description	Length Ft	Length In	Piece Mark	Remarks	Weight	Order Item
1	205B1	ONE								
2		1	1	W12x26	15	11		F. 1E. A992		
3		1	1	PL 3/8x16	5	8 1/4	a205	BENT		
4		1	1	PL 3/8x16	3	6 3/4	b205	BENT		
5		1	1	PL 3/8x5	0	6	a200			
6		1	1	PL 3/8x5	0	11 1/2	a203			
7		1	1	PL 3/8x3	0	5 1/2	c203			
8		1	1	PL 3/8x3 1/8	0	11 1/2	c205			
9		1	1	L5x3x3/8	0	4	d205			
10										
11										
12	205B2	ONE								
13		1	1	W12x26	10	9		A992		
14		1	1				a205			
15		1	1				b205			
16		1	1				a200			
17		1	1				a203			
18		1	1				c203			
19		1	1				c205			
20		1	1				d205			
21										
22										
23	205D3	7								
24		1	7	5 DIA STD PIPE	23	7 3/4		A53-B		
25										
26										
27	205D4	7								
28		1	7	5 DIA STD PIPE	22	10 1/2		A53-B		
29										
30										
31										
32	205M5	ONE		L5x3x3/8	30	10 1/8		F. 1 E.		
33	205M6	ONE		L5x3x3/8	20	10 1/8		F. 1 E.		
34		1	2	PL 3/8x4 5/8	0	4 5/8	f205			
35										
36										
37	205M7	ONE		L5x3x3/8	30	10 1/8		F. 1 E.		
38	205M8	ONE		L5x3x3/8	20	10 1/8		F. 1 E.		
39		1	2				f205			
40										
41										
42										
43										
44				PLAIN MATERIAL (SHIP LOOSE)						
45	205M9	10		L5x3x3/8	29	11 1/2				
46										
47										
48										
49										
50										
FIELD BOLTS					10	7/8	A325 x 2 1/4			
2- 1/2" A307 x 1 3/4"										

SHOP NOTES
 1. ALL STEEL A36 U.N.
 WELD: E70XX
 HOLES: 15/16" U.N.O.
 PAINT: ONE SHOP COAT

PRINT RECORD					
Date	Quan.	For	Date	Quan.	For

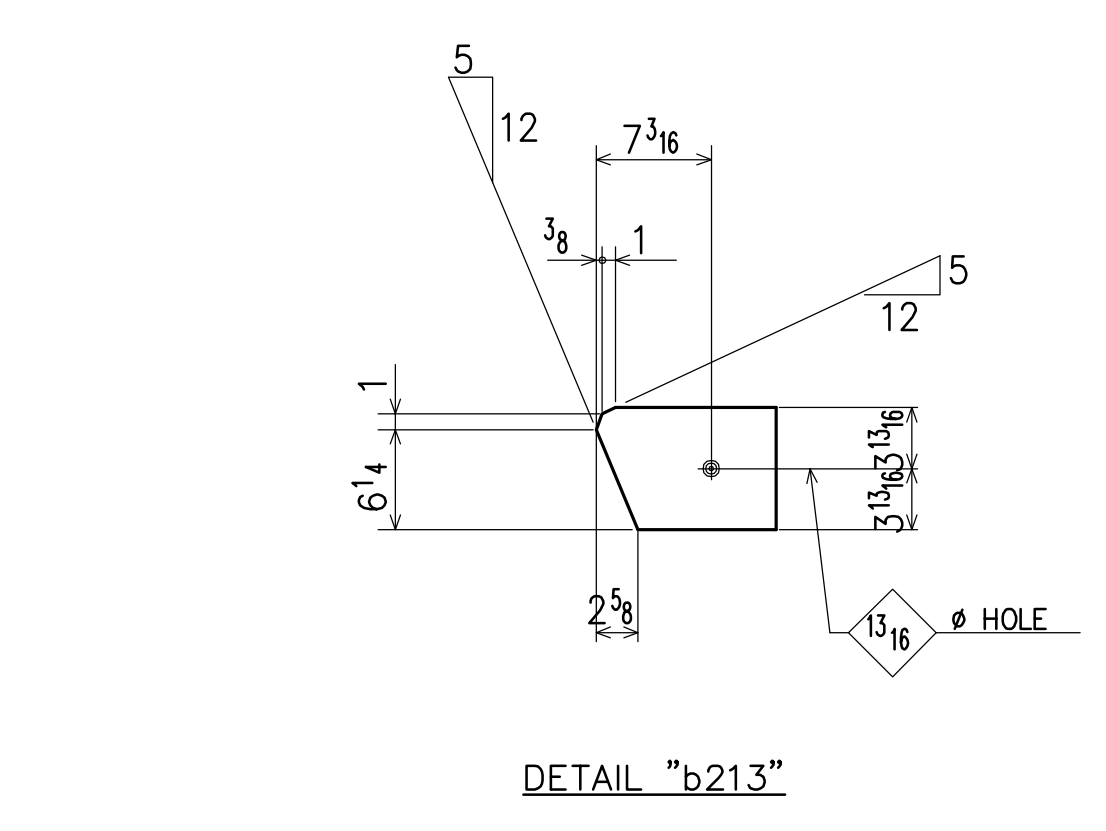
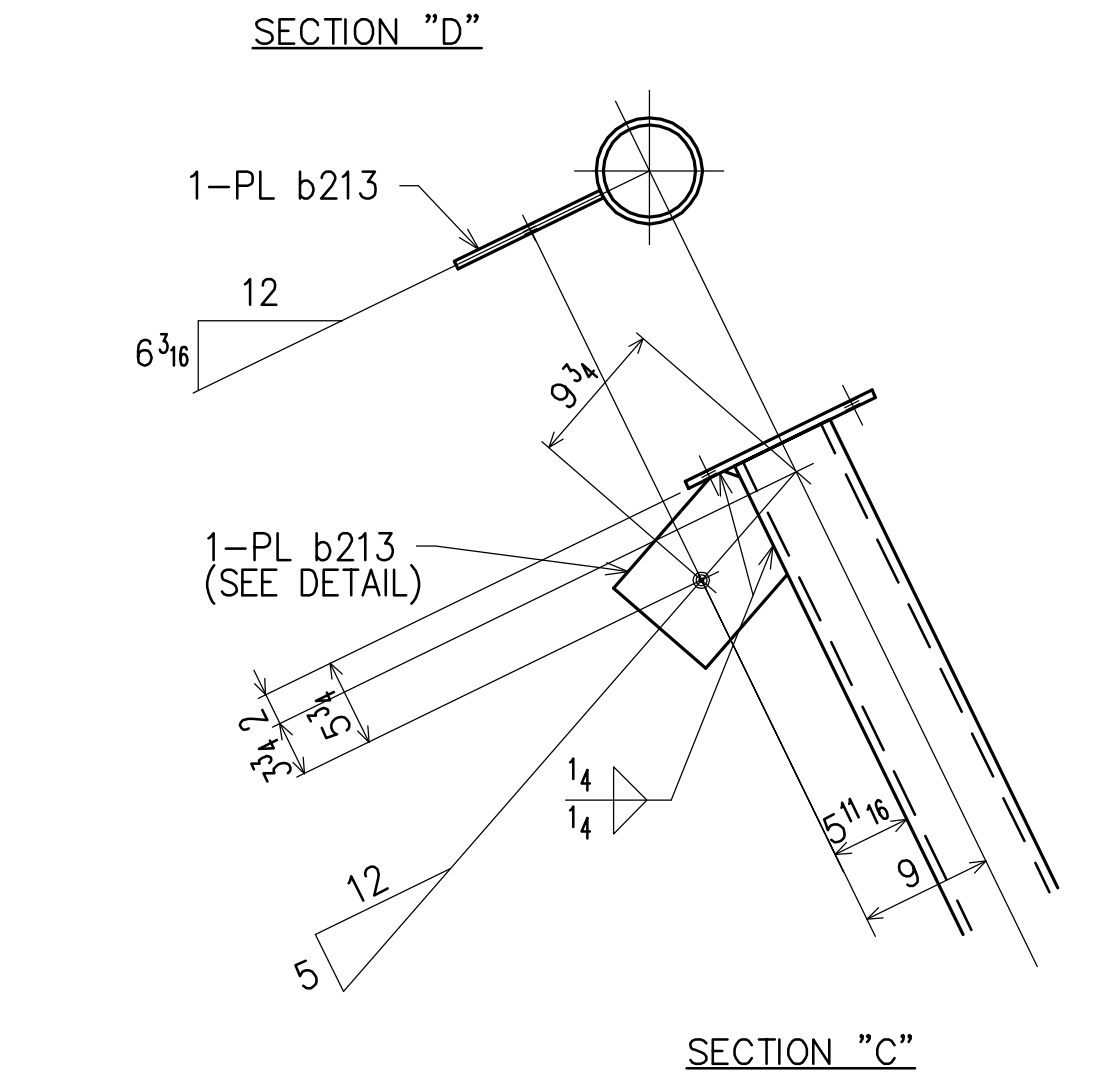
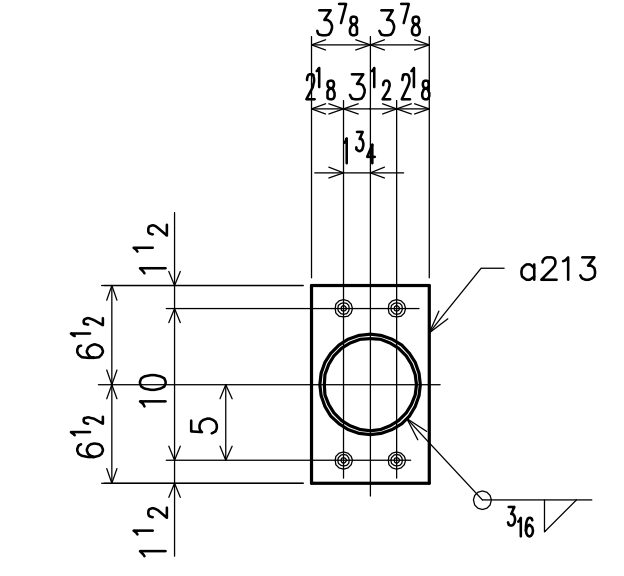
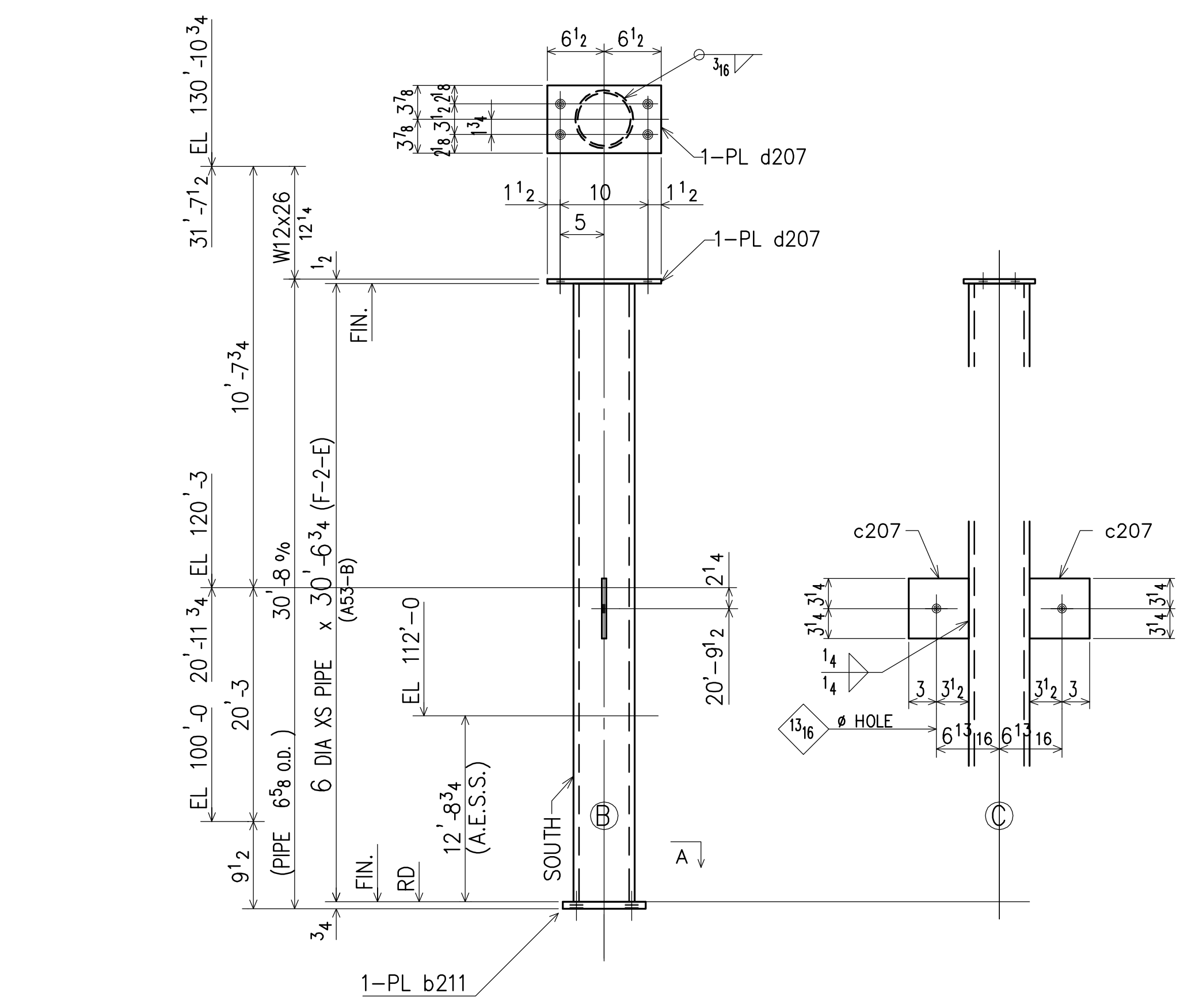
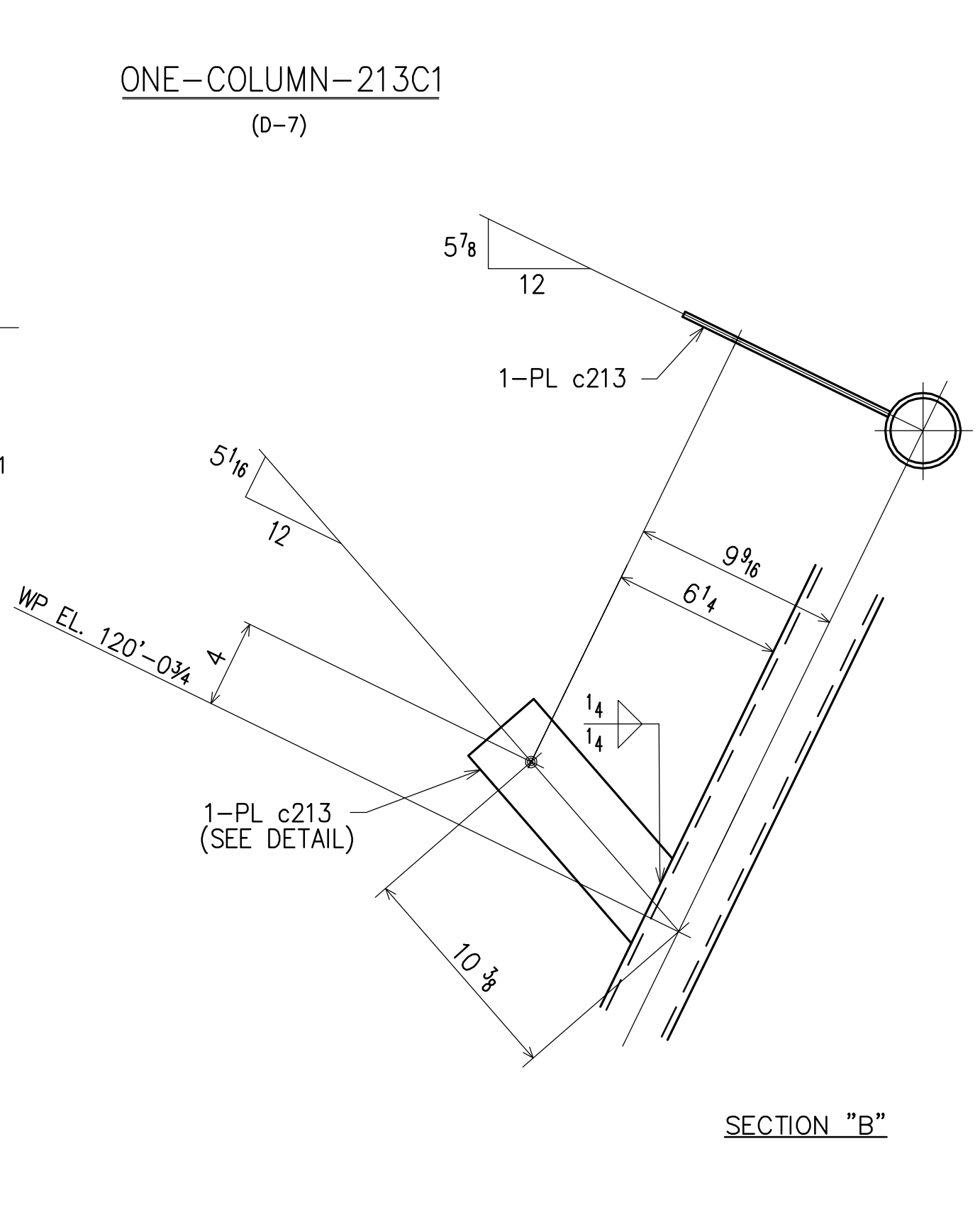
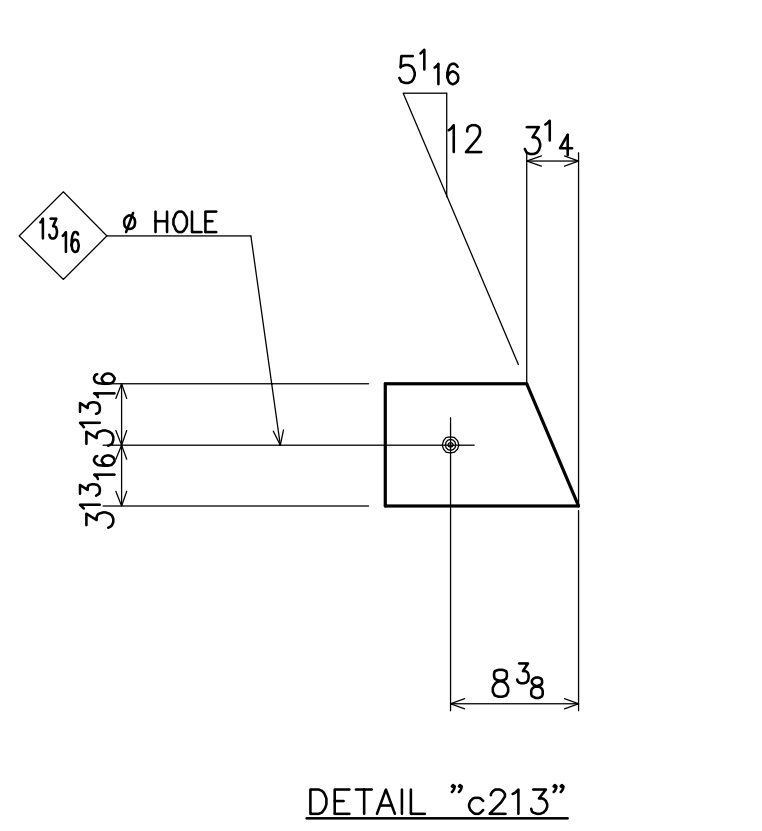
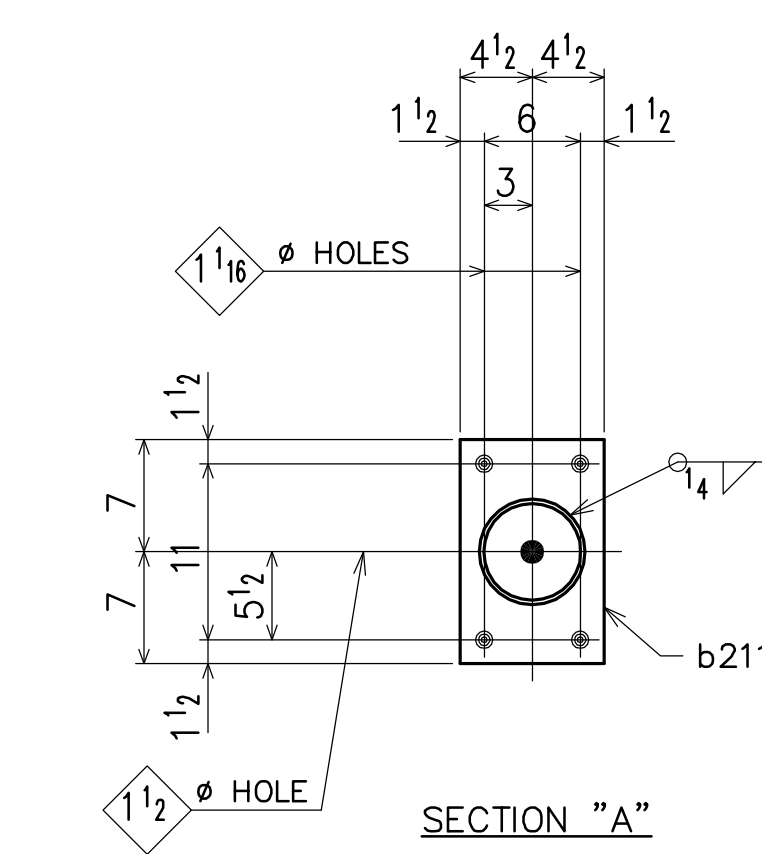
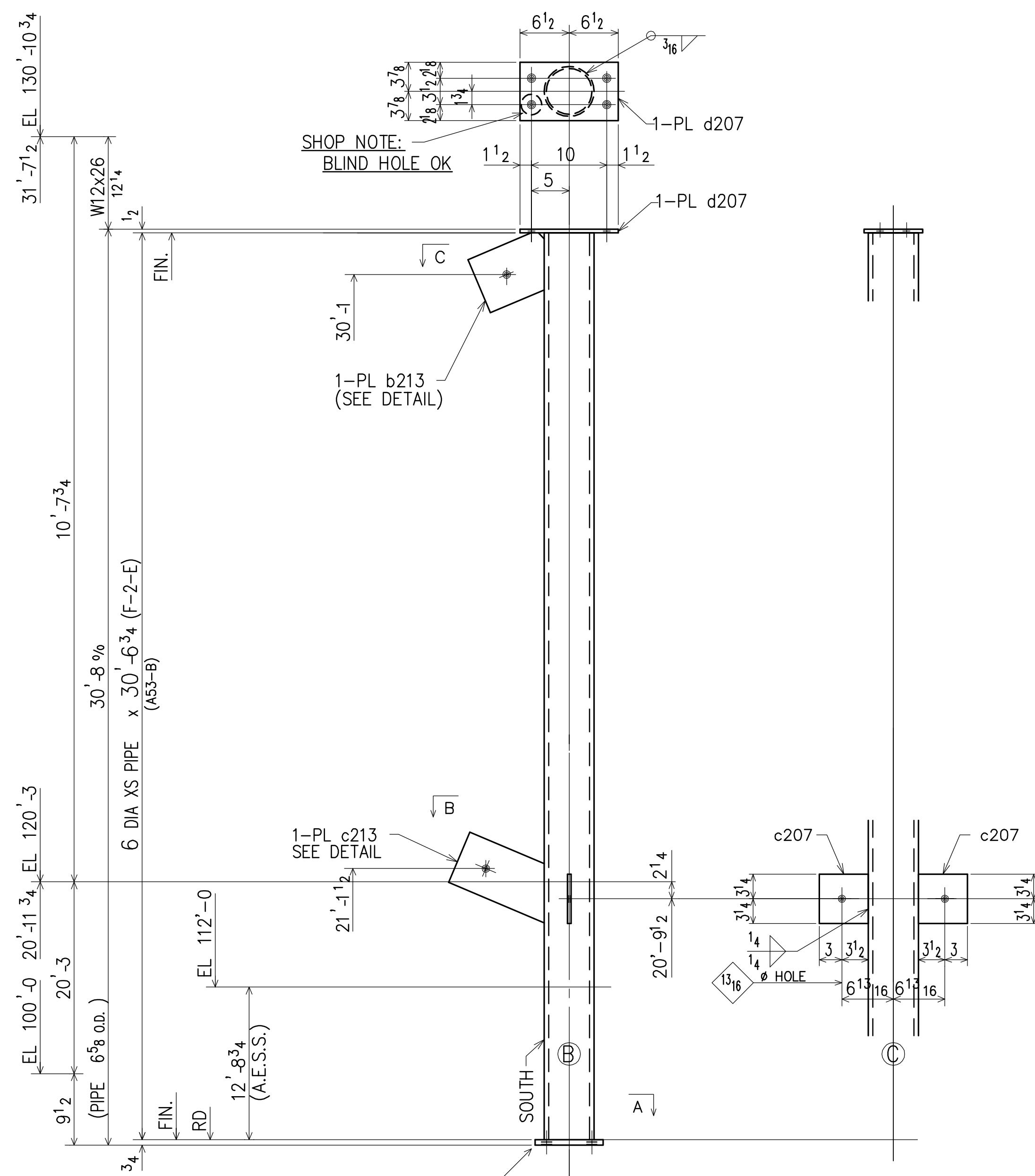
STEEL DETAILS 02-08-11

Rev.	Date	REVISION AND RELEASE 205D3 & D4	ALY

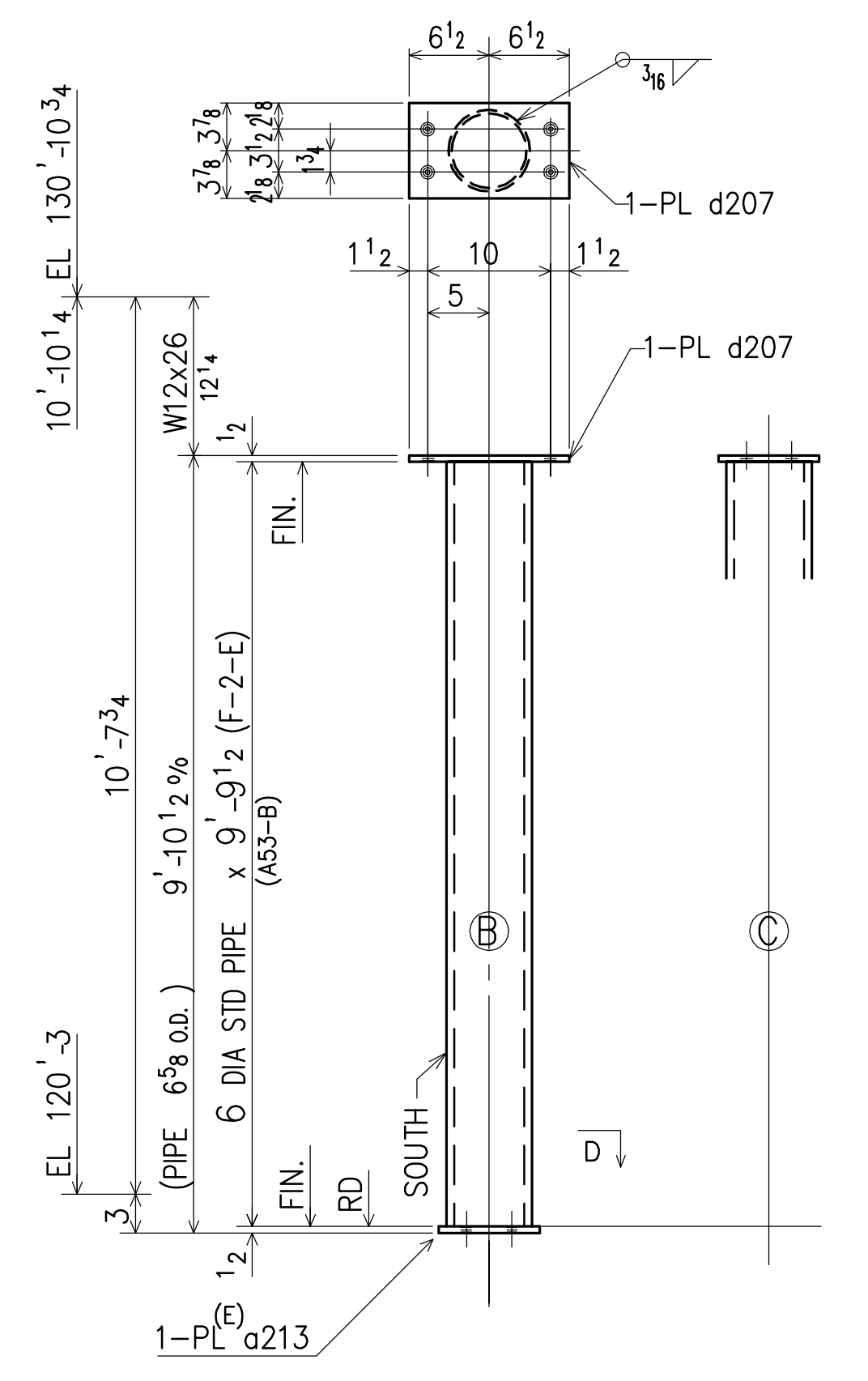
IRWIN STEEL
 15740 Highway 114 ~ Justin, Texas 76247
 Phone (817) 636-2508 ~ Fax (817) 636-2506

Job Name: UTD BOOKSTORE BUILDING
 Location: DALLAS, TEXAS
 Customer: UNIVERSITY OF TEXAS
 Architect: PAGE SOUTHERLAND PAGE, LLP

DRAWN: TLN JOB NO: 1104 SHEET NO: 205
 CHECKED: ALY CAD NO:



ONE-COLUMN-213C2
(D-7.2)



8-COLUMNS-213C3
(D-2.1,D-2.3,D-3.1,D-3.2,D-4.1,D-4.2,D-5.1,D-5.2)

SHOP NOTES
 1. ALL STEEL A36 U.N.
 WELD: E70XX
 HOLES: 15/16 U.N.O.
 PAINT: ONE SHOP COAT

PRINT RECORD					
Date	Quan.	For	Date	Quan.	For

Bill of Materials										
Line	Mark	No.	Tot	Description	Length Ft	In	Piece Mark	Remarks	Weight	Order Item
1	213C1	ONE								
2		1	1	6 DIA XS PIPE	30	6 3/4		A53-B F-2-E		
3		1	1	PL 3x9	1	2	b211			
4		1	1	PL 1x7 5/8	1	0 3/8	c213	SEE DETAIL		
5		2	2	PL 1x6 1/2	0	6 1/2	c207			
6		1	1	PL 1x7 5/8	0	11 1/4	b213	SEE DETAIL		
7		1	1	PL 1x7 3/4	1	1	d207			
8										
9										
10										
11										
12	213C2	ONE								
13		1	1	6 DIA XS PIPE	30	6 3/4		A53-B F-2-E		
14		1	1				b211			
15		2	2				c207			
16		1	1				d207			
17										
18										
19										
20										
21	213C3	8								
22		1	8	6 DIA STD PIPE	9	9 1/2		A53-B F-2-E		
23		1	8	PL 1x7 3/4	1	1	a213			
24		1	8				d207			
25										
26										
27										
28										
29										
30										
31										
32										
33										
34										
35										
36										
37										
38										
39										
40										
41										
42										
43										
44										
45										
46										
47										
48										
49										
50										
FIELD BOLTS					20	7/8	A325 x 2 1/4			
2- 3/4 A307 x 7					4-	3/4	A307 x 6			

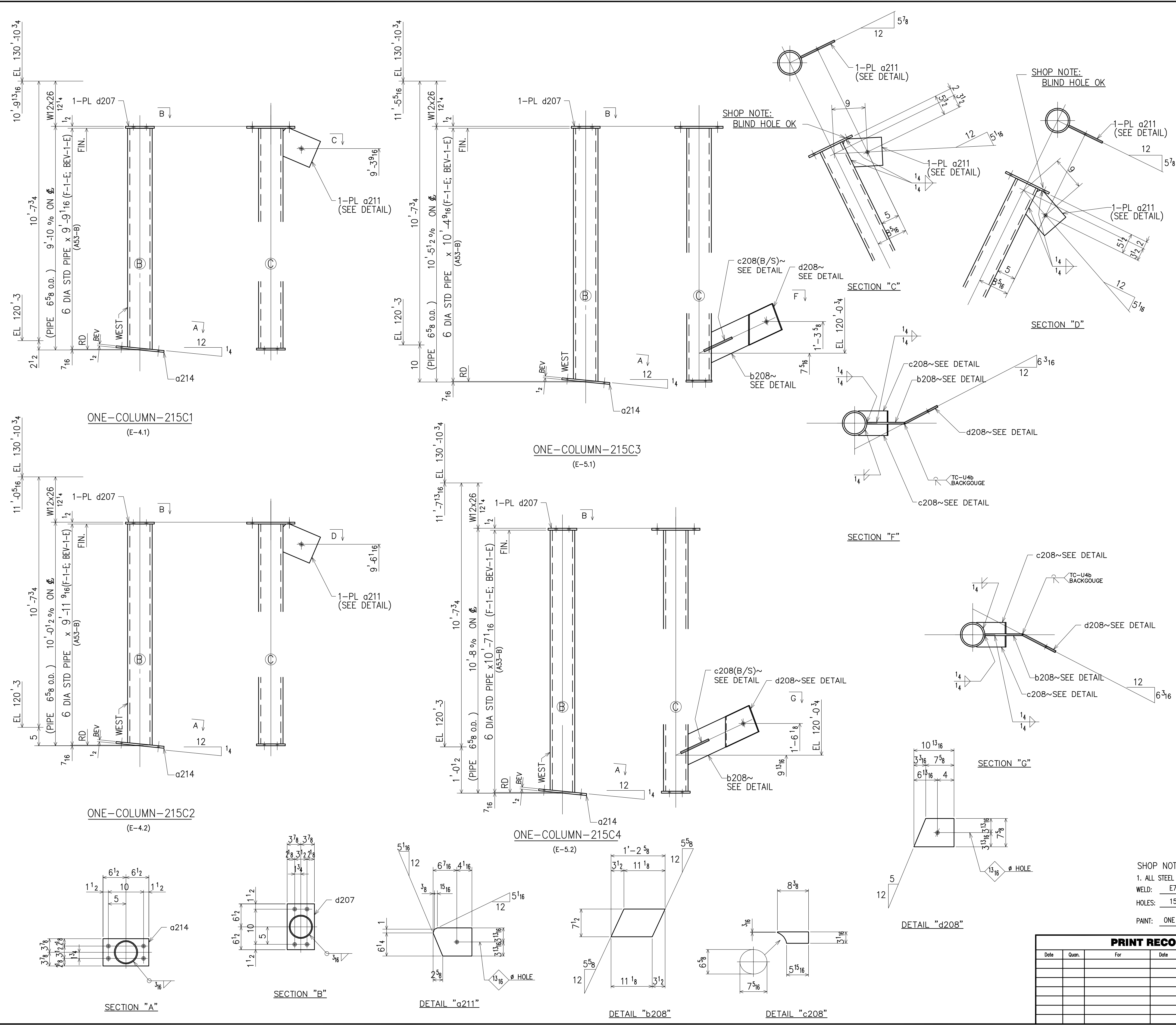
STEEL DETAILS 02-17-11

Rev.	Date	Description	By

IRWIN STEEL
 15740 Highway 114 ~ Justin, Texas 76247
 Phone (817) 636-2508 ~ Fax (817) 636-2506

Job Name: UTD BOOKSTORE BUILDING
 Location: DALLAS, TEXAS
 Customer: UNIVERSITY OF TEXAS
 Architect: PAGE SOUTHERLAND PAGE, LLP

DRAWN: TLN JOB NO: 1104 SHEET NO:
 CHECKED: ALY CAD NO: 213



Bill of Materials										
Line	Mark	No.	Tot	Description	Length Ft	In	Piece Mark	Remarks	Weight	Order Item
1	215C1	ONE								
2	1	1	1	6 DIA STD PIPE	9	9 1/16		A53-B F-1-E, BEV-1-E		
3	1	1	1	PL 1/2x7 3/4	1	1	a214			
4	1	1	1	PL 1/2x7 5/8	0	10 1/2	a211	SEE DETAIL		
5	1	1	1	PL 1/2x7 3/4	1	1	d207			
6										
7										
8										
9										
10	215C2	ONE								
11	1	1	1	6 DIA STD PIPE	9	9 1/16		A53-B F-1-E, BEV-1-E		
12	1	1	1				a214			
13	1	1	1				a211			
14	1	1	1				d207			
15										
16										
17										
18										
19	215C3	ONE								
20	1	1	1	6 DIA STD PIPE	10	4 9/16		A53-B F-1-E, BEV-1-E		
21	1	1	1				a214			
22	1	1	1	PL 1/2x7 1/2	1	2 5/8	b208	SEE DETAIL		
23	2	2	2	PL 1/2x3 1/16	0	8 3/8	c208	SEE DETAIL		
24	1	1	1	PL 1/2x7 5/8	0	10 13/16	d208	SEE DETAIL		
25	1	1	1				d207			
26										
27										
28										
29										
30	215C4	ONE								
31	1	1	1	6 DIA STD PIPE	10	7 1/16		A53-B F-1-E, BEV-1-E		
32	1	1	1				a214			
33	1	1	1				b208	SEE DETAIL		
34	2	2	2				c208	SEE DETAIL		
35	1	1	1				d208	SEE DETAIL		
36	1	1	1				d207			
37										
38										
39										
40										
41										
42										
43										
44										
45										
46										
47										
48										
49										
50										
FIELD BOLTS				8	7/8	A325 x 2 1/2	8	7/8	A325 x 2 1/4	
4	3/4	A307 x 7								

SHOP NOTES
 1. ALL STEEL A36 U.N.
 WELD: E70XX
 HOLES: 15/16" U.N.O.
 PAINT: ONE SHOP COAT

PRINT RECORD					
Date	Quan.	For	Date	Quan.	For

STEEL DETAILS 02-17-11 F

Rev.	Date	Description	By

IRWIN STEEL
 15740 Highway 114 ~ Justin, Texas 76247
 Phone (817) 636-2508 ~ Fax (817) 636-2506

Job Name: UTD BOOKSTORE BUILDING
 Location: DALLAS, TEXAS
 Customer: UNIVERSITY OF TEXAS
 Architect: PAGE SOUTHERLAND PAGE, LLP

DRAWN: TLN JOB NO: 1104 SHEET NO: 215
 CHECKED: ALY CAD NO: