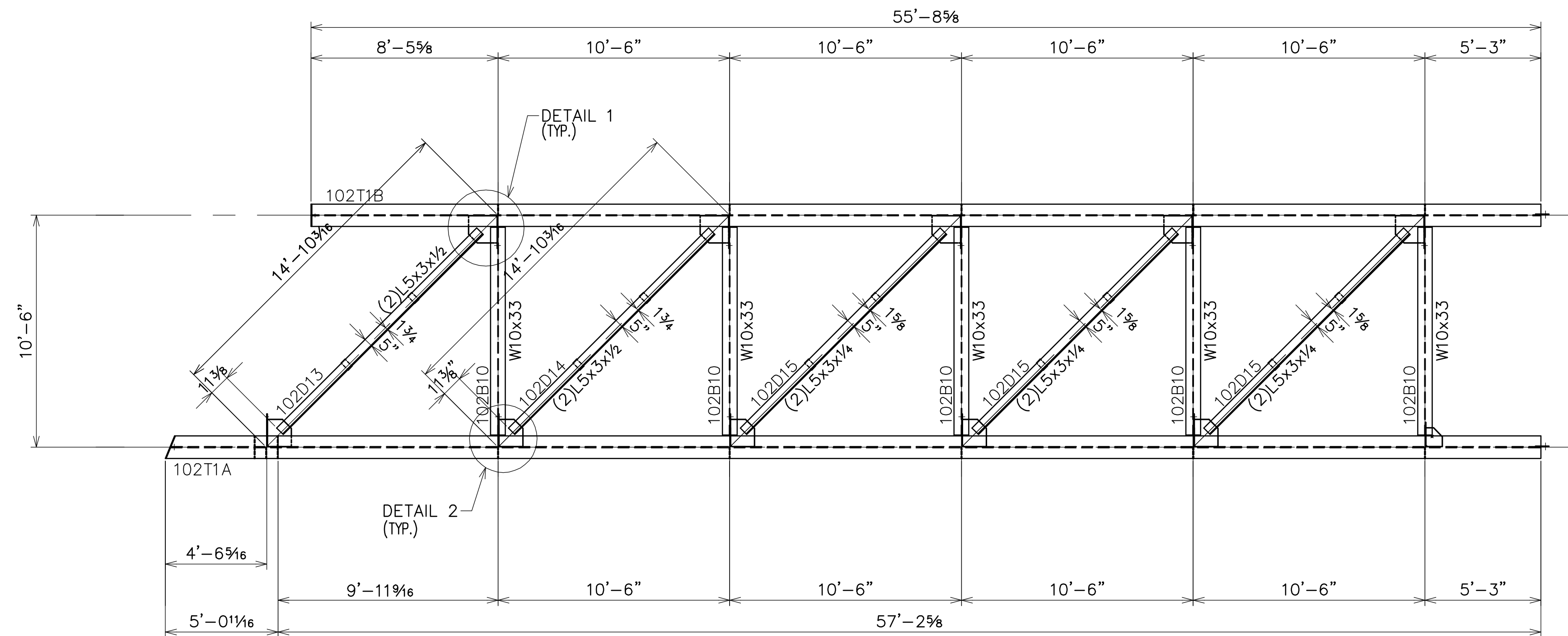


(PLAN @ TOP)



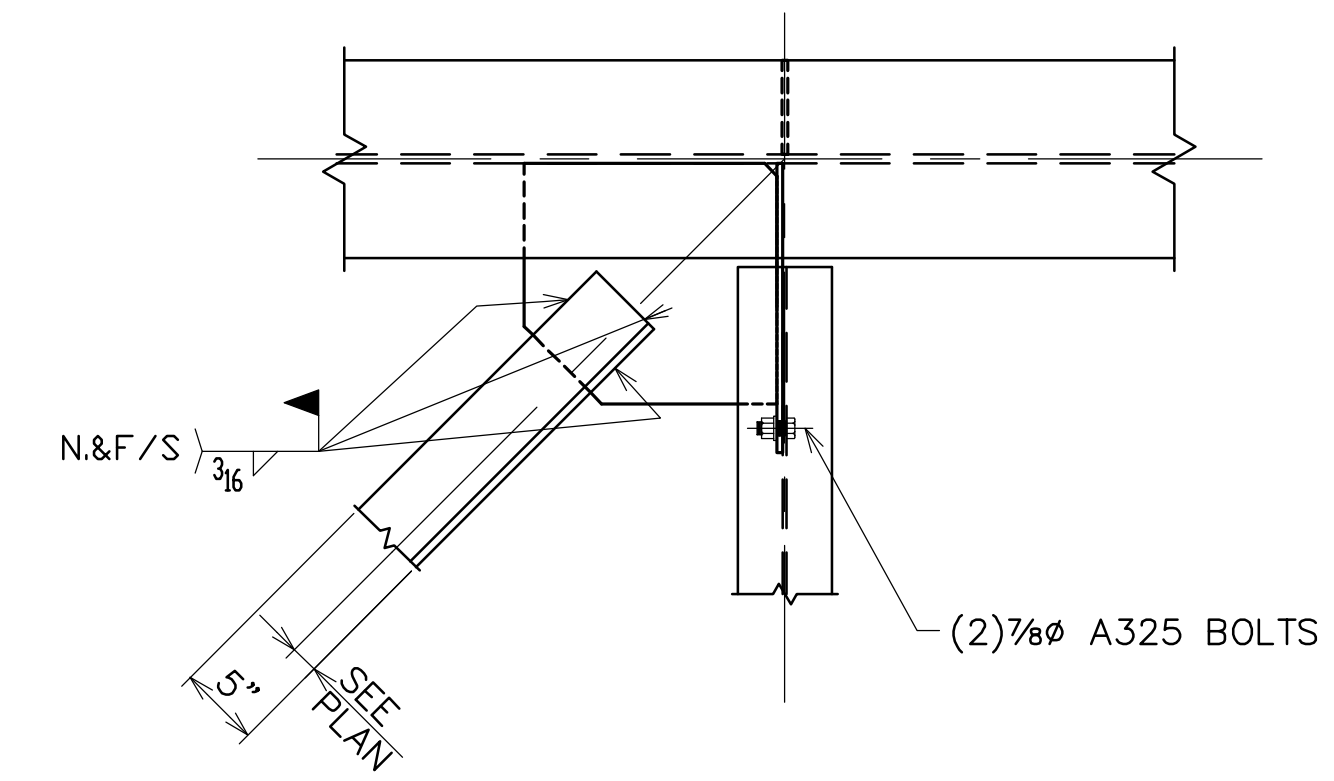
(PLAN @ BOTT.)

ONE - TRUSS - 102T1

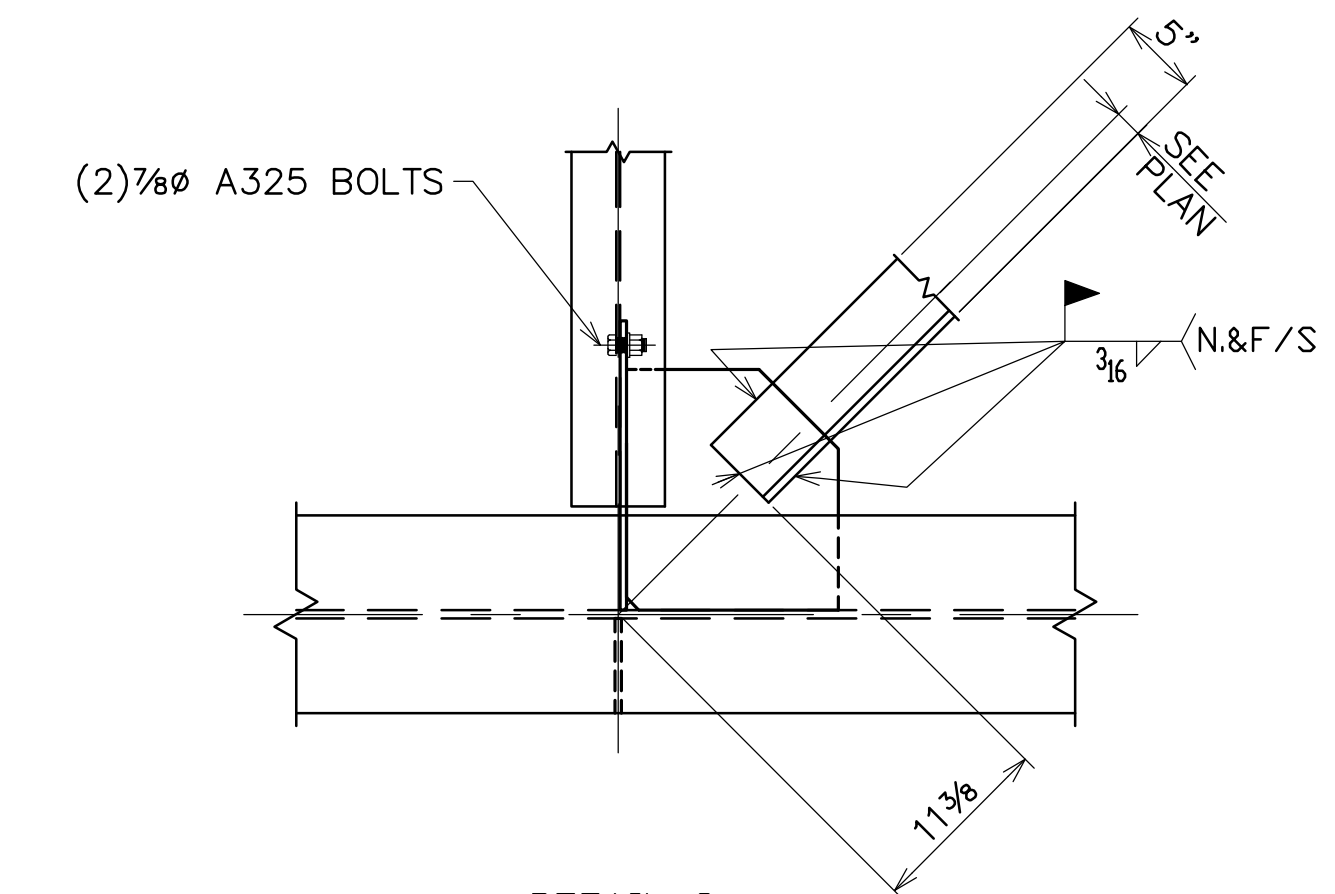
PAINT NOTE:

AREAS NOTED "AESS" TO BE SSPC-SP6
BLAST CLEANED & RECEIVE INEMEC
SERIES 66-1211 HI-BUILD EPOXOLINE PRIMER.
OTHER AREAS TO BE SSPC-SP1 TO SP3
CLEANED & TO RECEIVE STANDARD
OXIDE SHOP PRIMER.

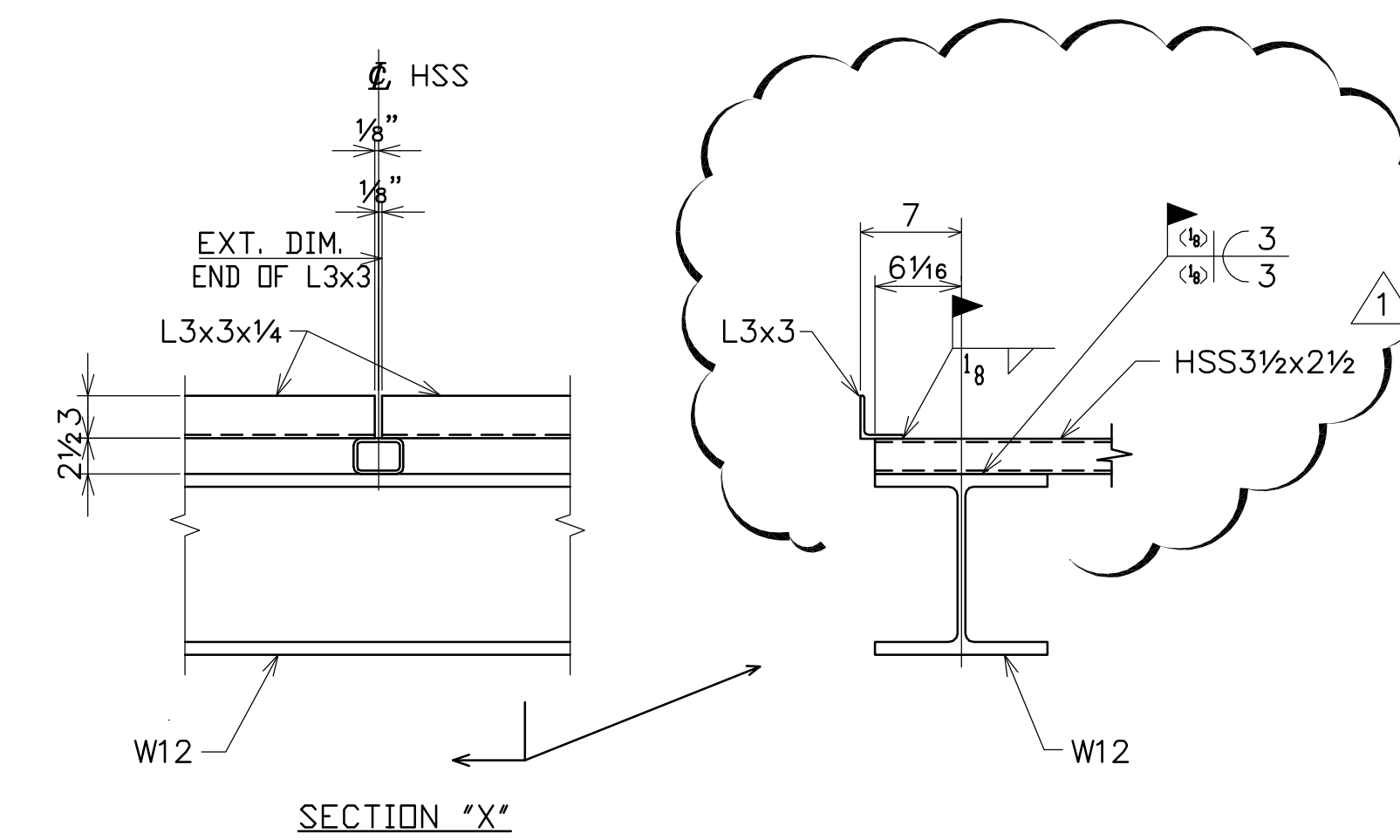
WORK THIS DRAWING WITH DRAWINGS 102BOM, 102A, 102B, 102C, 102D & 102E



DETAIL 1



DETAIL 2



SECTION "X"

SHOP NOTES

- 1. ALL STEEL A36 U.N.
- WELD: E70XX
- HOLES: 1/8 inch diameter U.N.O.
- PAINT: SEE NOTE

PRINT RECORD					
Date	Quan.	For	Date	Quan.	For

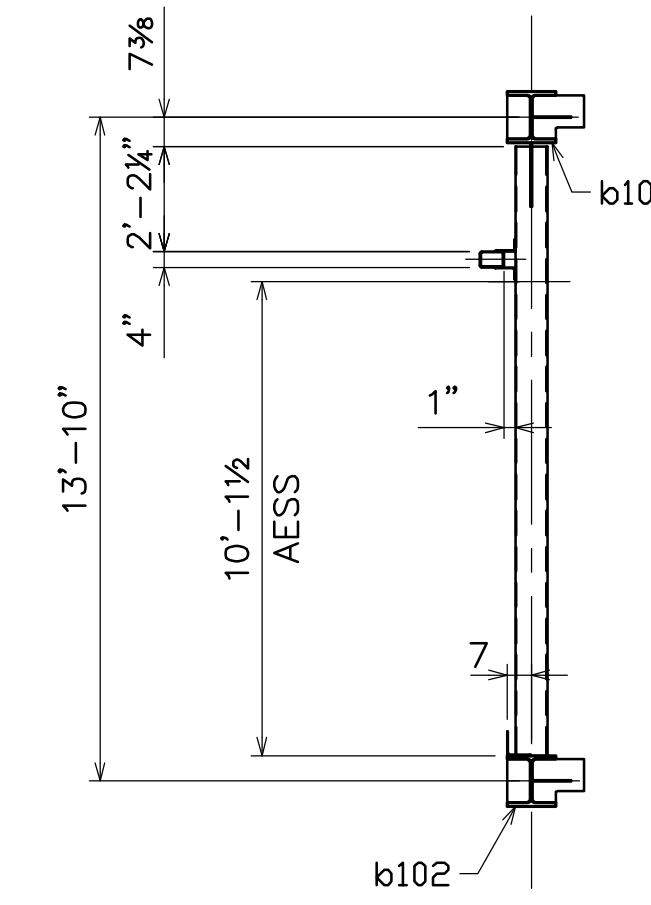
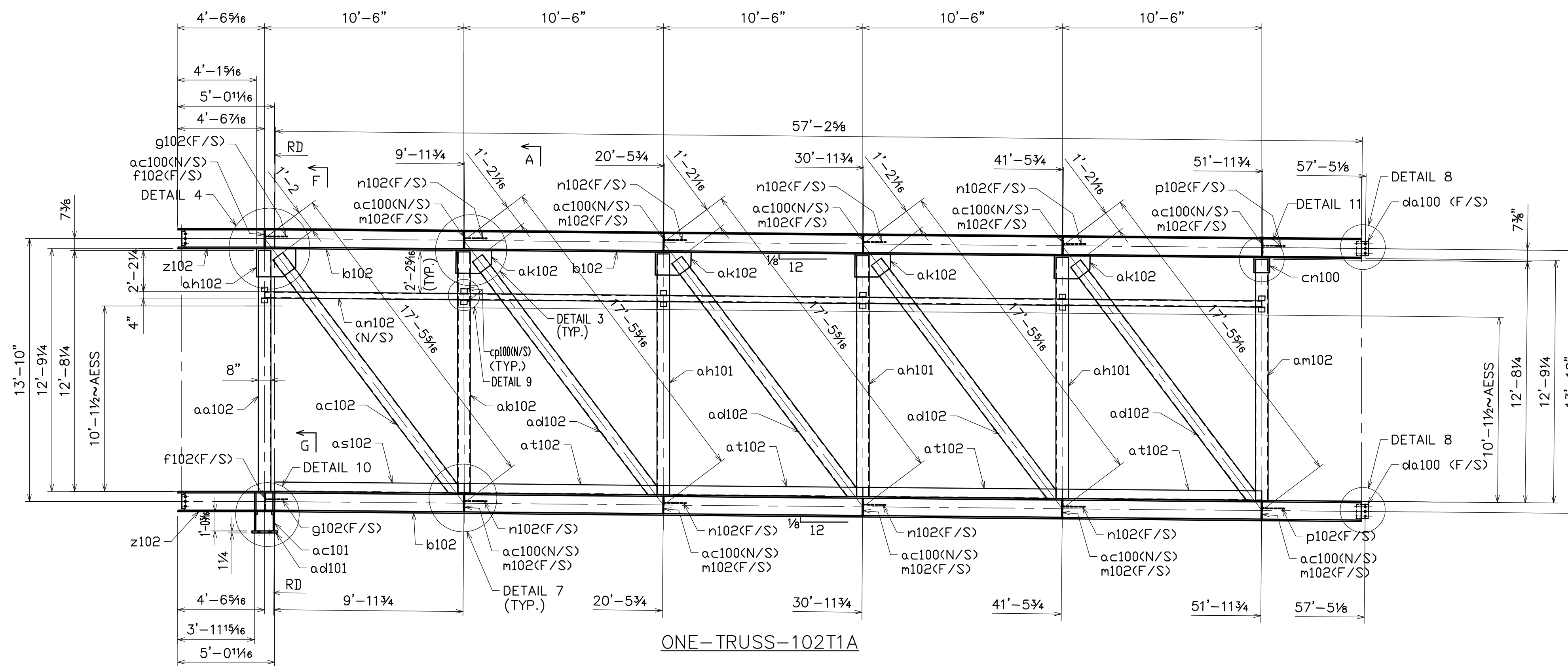
FIELD ASSEMBLY - TRUSS 102T1

Rev.	Date	Description	By
1	1/19/09	REVISED FIELD WELDS @ SECTION "X"	ALY

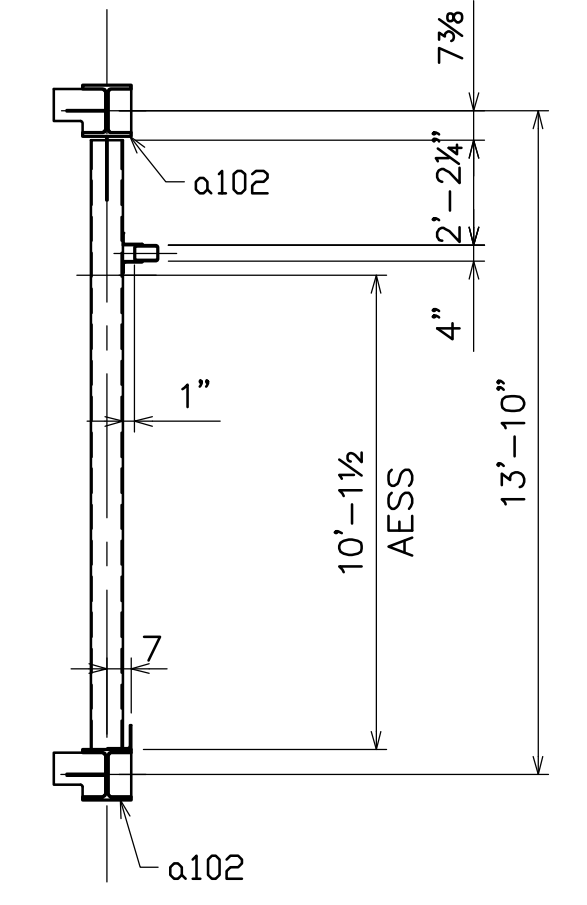
IRWIN STEEL
15740 Highway 114 ~ Justin, Texas 76247
Phone (817) 636-2508 ~ Fax (817) 636-2506

Job Name: UTSWMC - PHASE 5
Location: DALLAS, TEXAS
Customer: AUSTIN COMMERCIAL, L.P.
Architect: OMNIPLAN

DRAWN: TLN JOB NO: 0811 SHEET NO. E102A/1
CHECKED: ALY CAD NO:

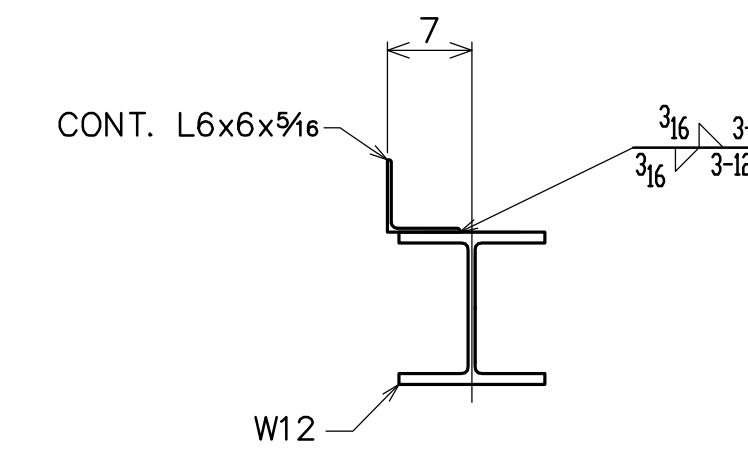
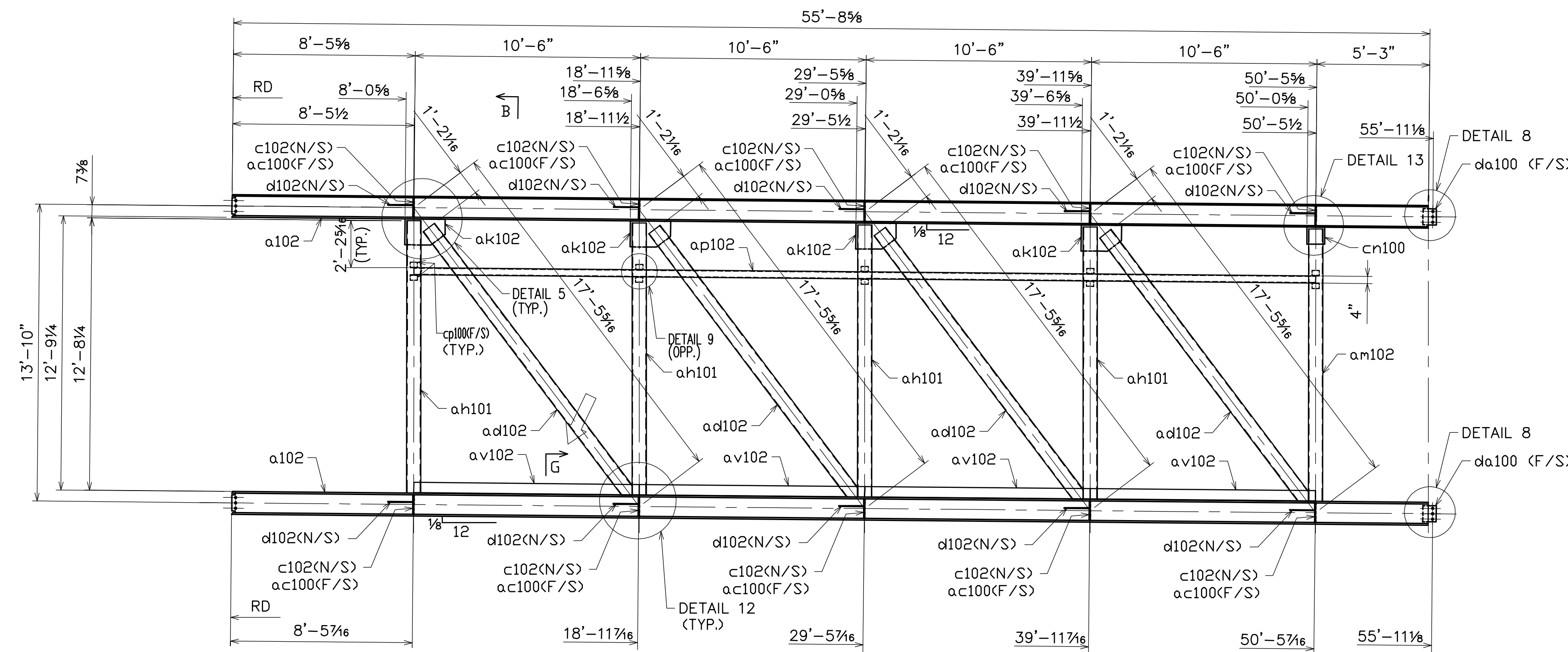


SECTION "A"



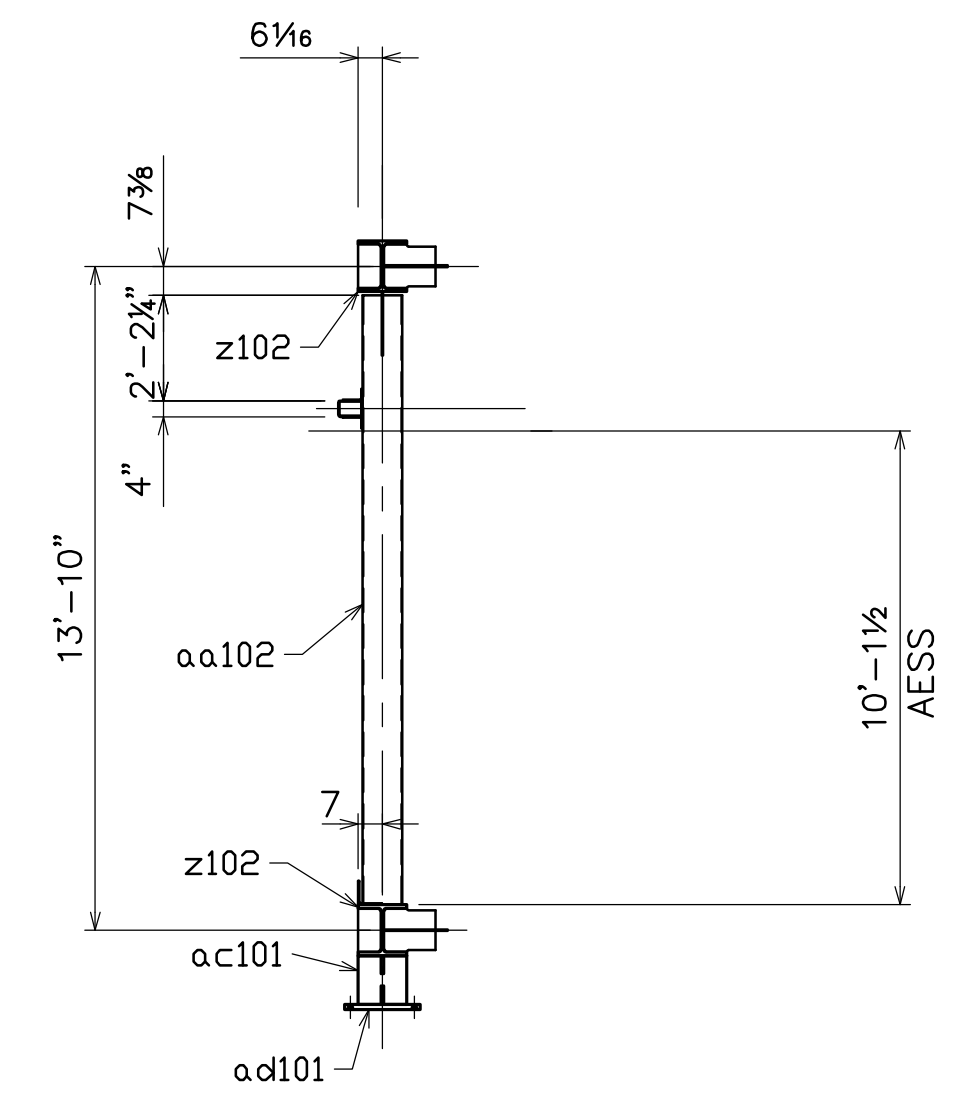
SECTION "B"

ONE-TRUSS-102T1A

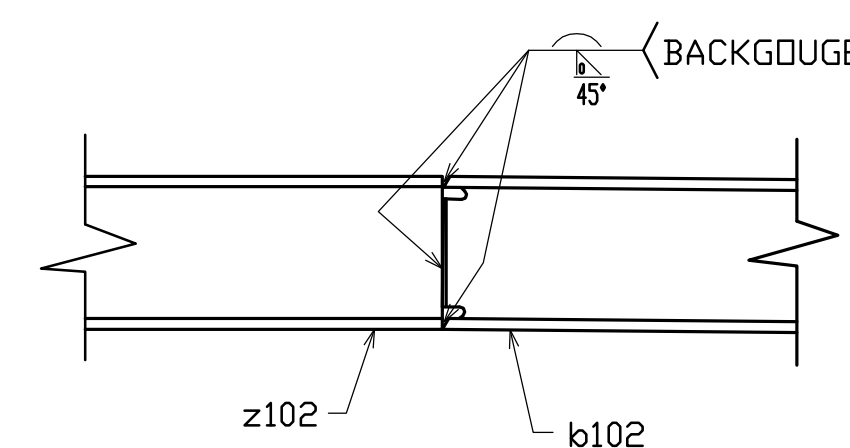


SECTION "G"

ONE-TRUSS-102T1B



SECTION "F"



TYP. CHORD SPLICE DETAIL

PAINT NOTE:
 AREAS NOTED "AESS" TO BE SSPC-SP6
 BLAST CLEANED & RECEIVE TNEMC
 SERIES 66-1211 HI-BUILD EPOXOLINE PRIMER.
 OTHER AREAS TO BE SSPC-SP1 TO SP3
 CLEANED & TO RECEIVE STANDARD
 OXIDE SHOP PRIMER.

WORK THIS DRAWING WITH DRAWINGS 102BOM, 102B, 102C & 102D

9-16-08

STEEL DETAILS - PEDESTRIAN BRIDGE

SHOP NOTES
 1. ALL STEEL A36 U.N.
 WELD: E70XX
 HOLES: 1/16" Ø U.N.O
 PAINT: SEE NOTE

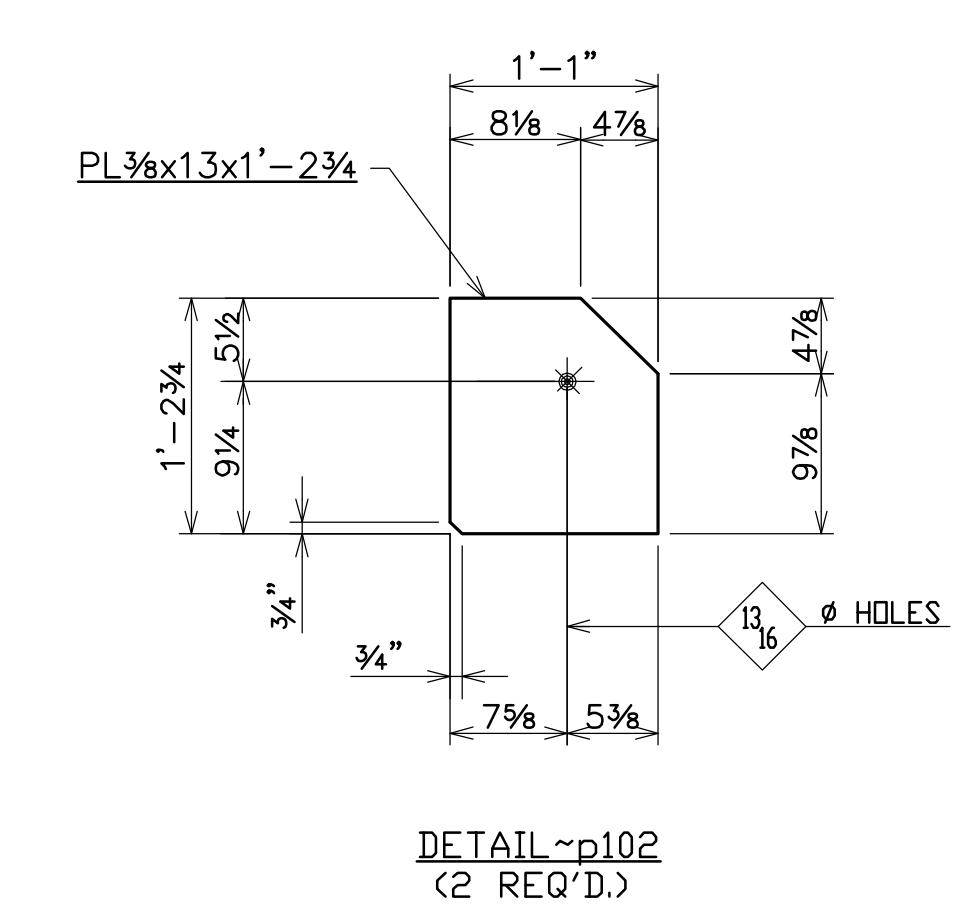
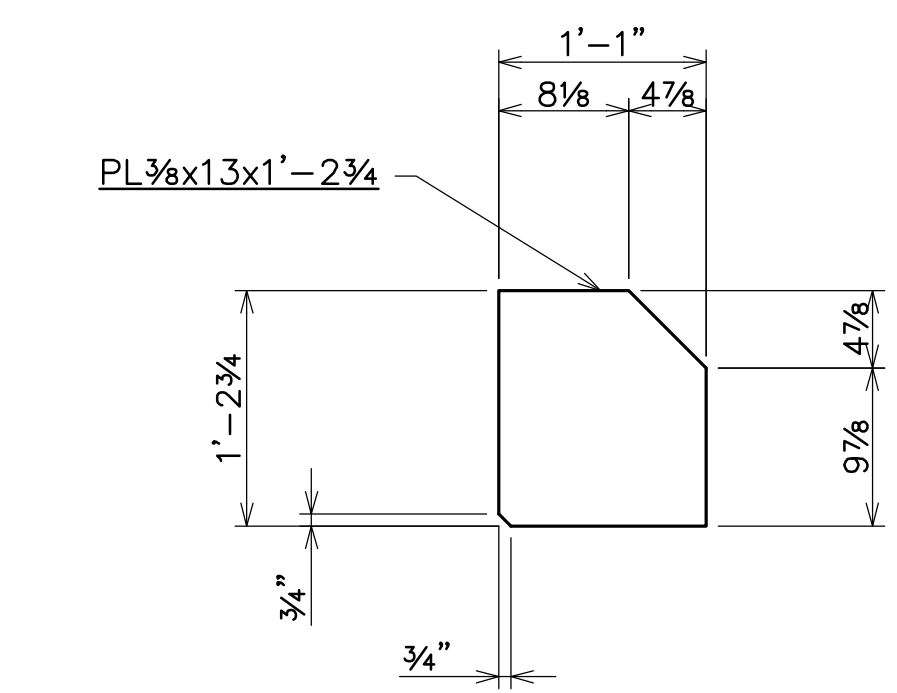
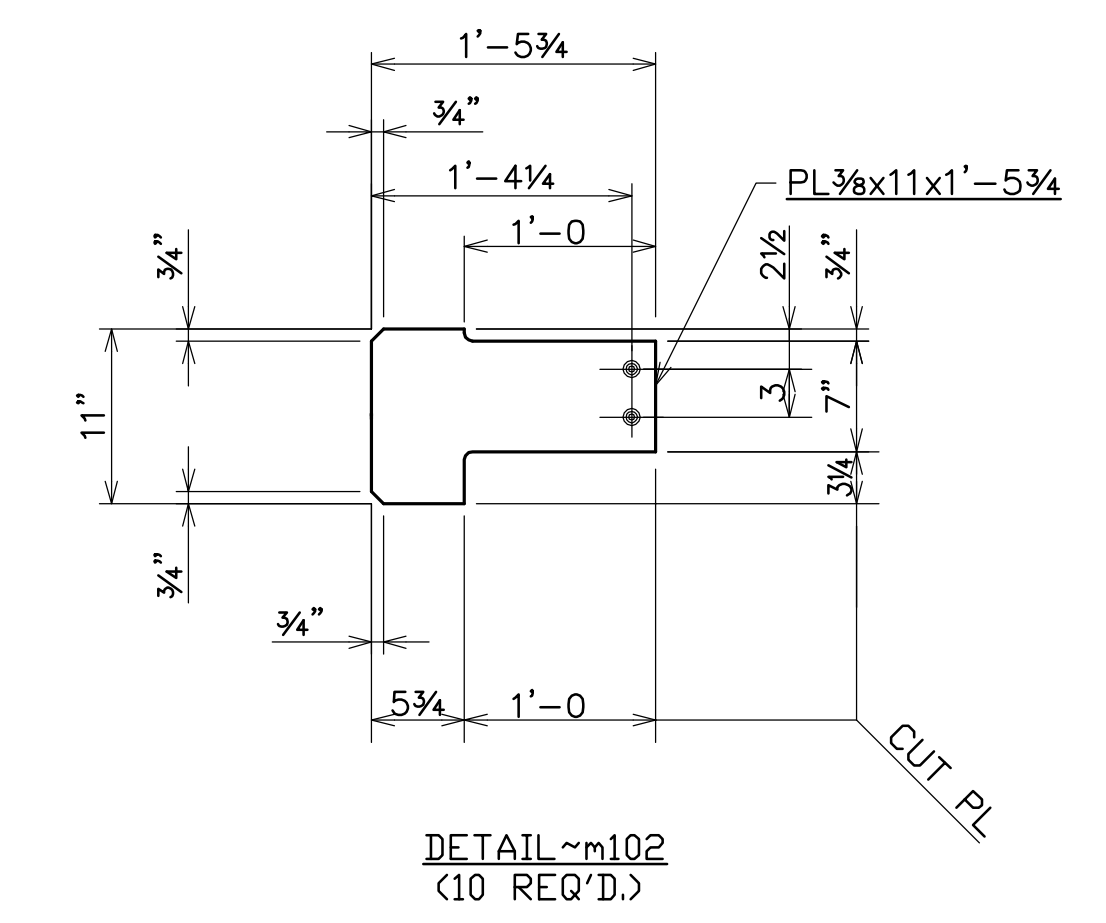
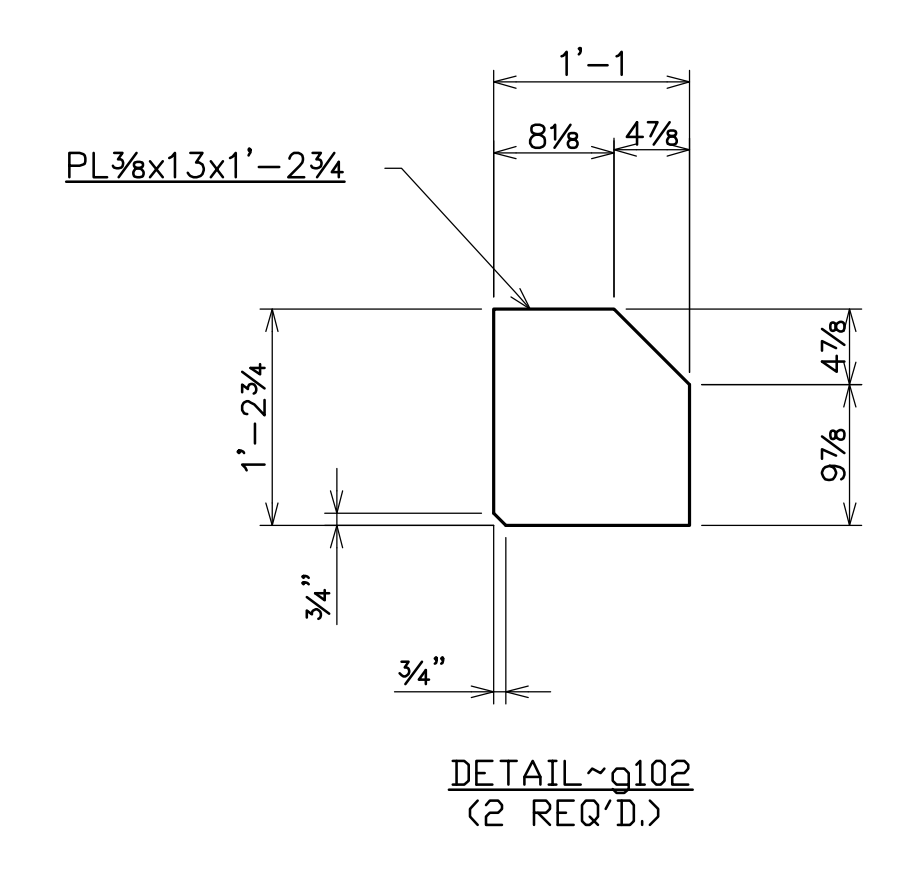
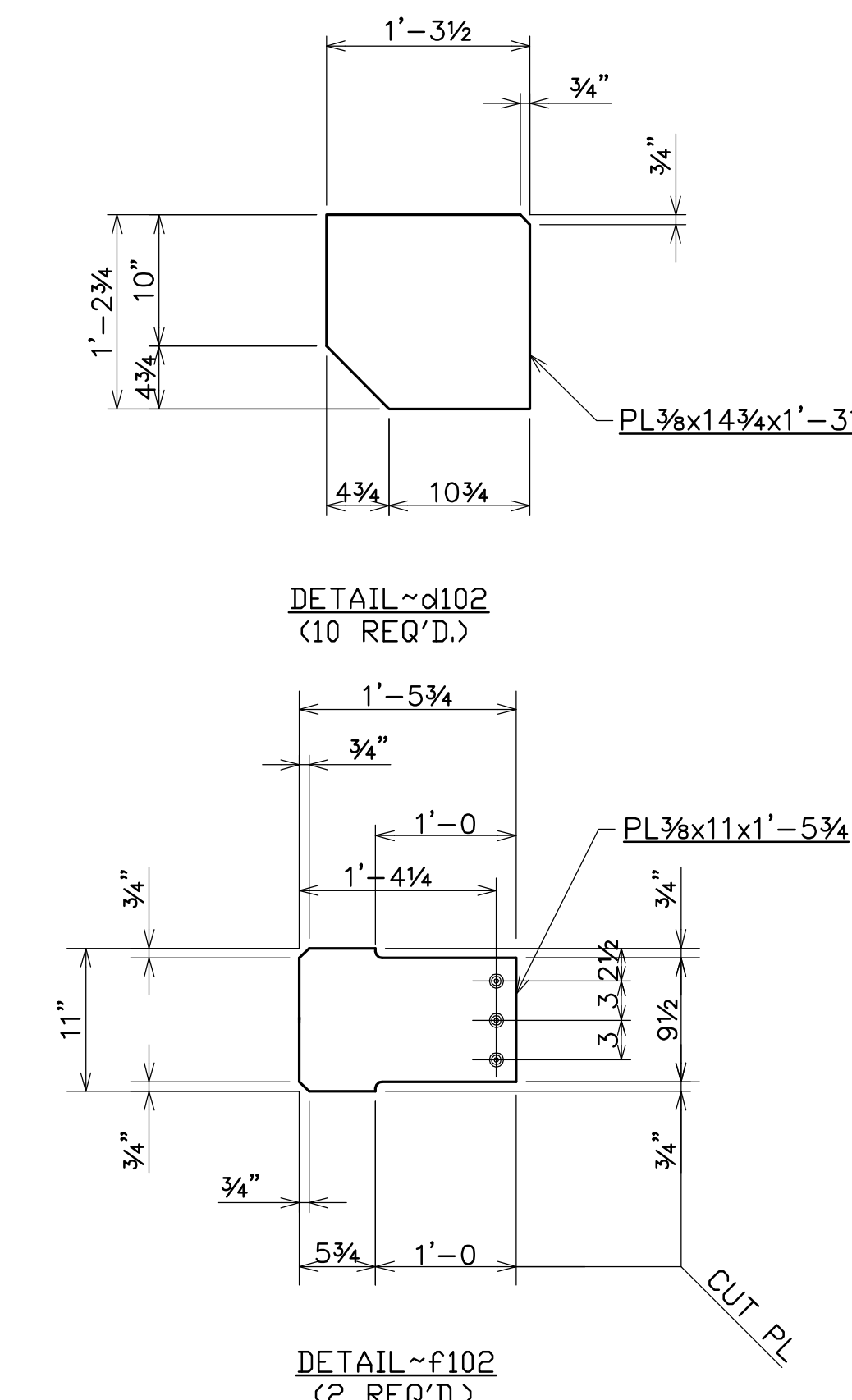
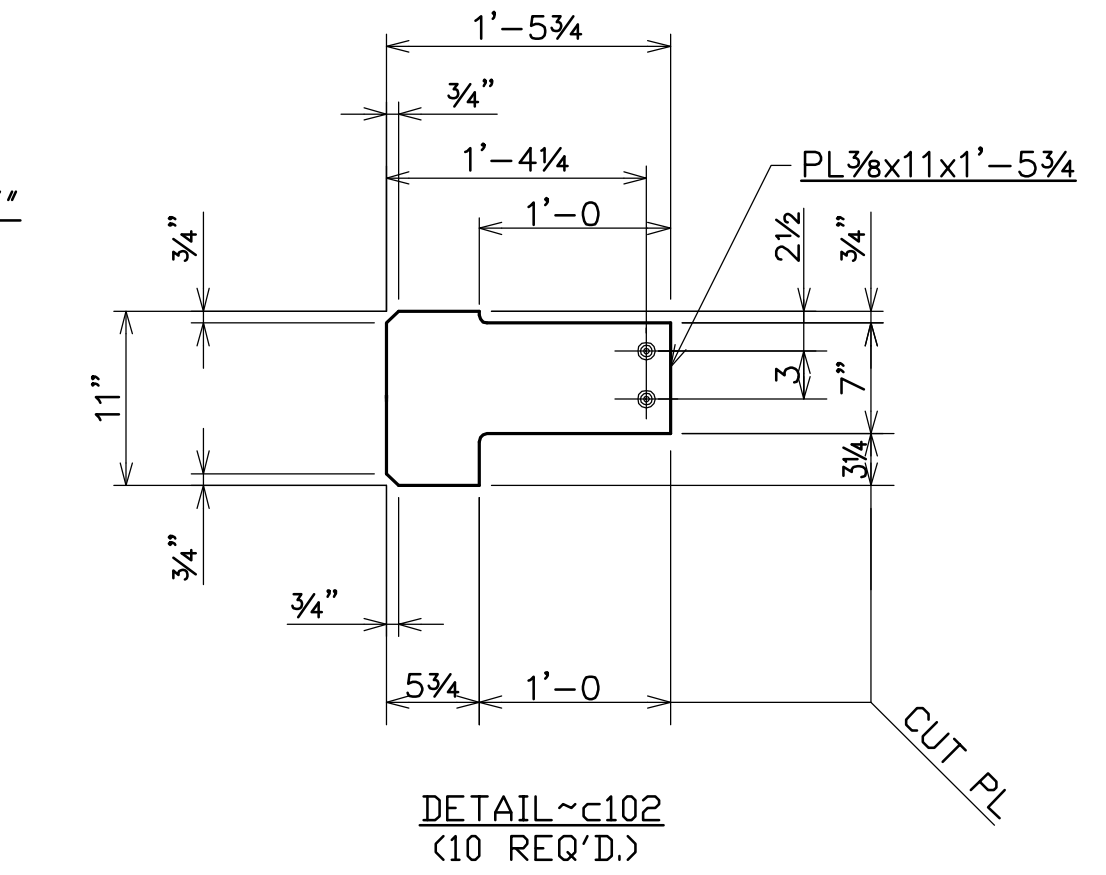
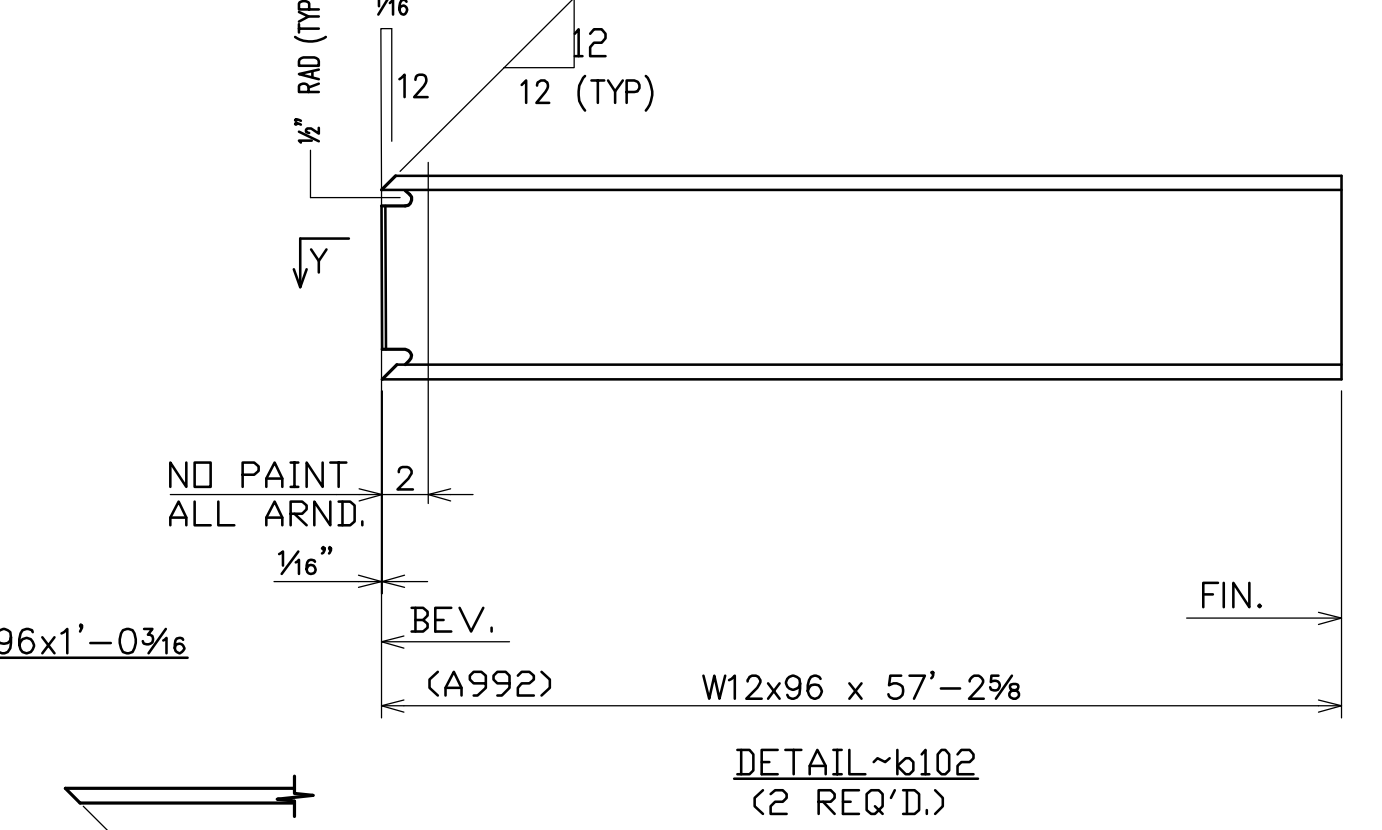
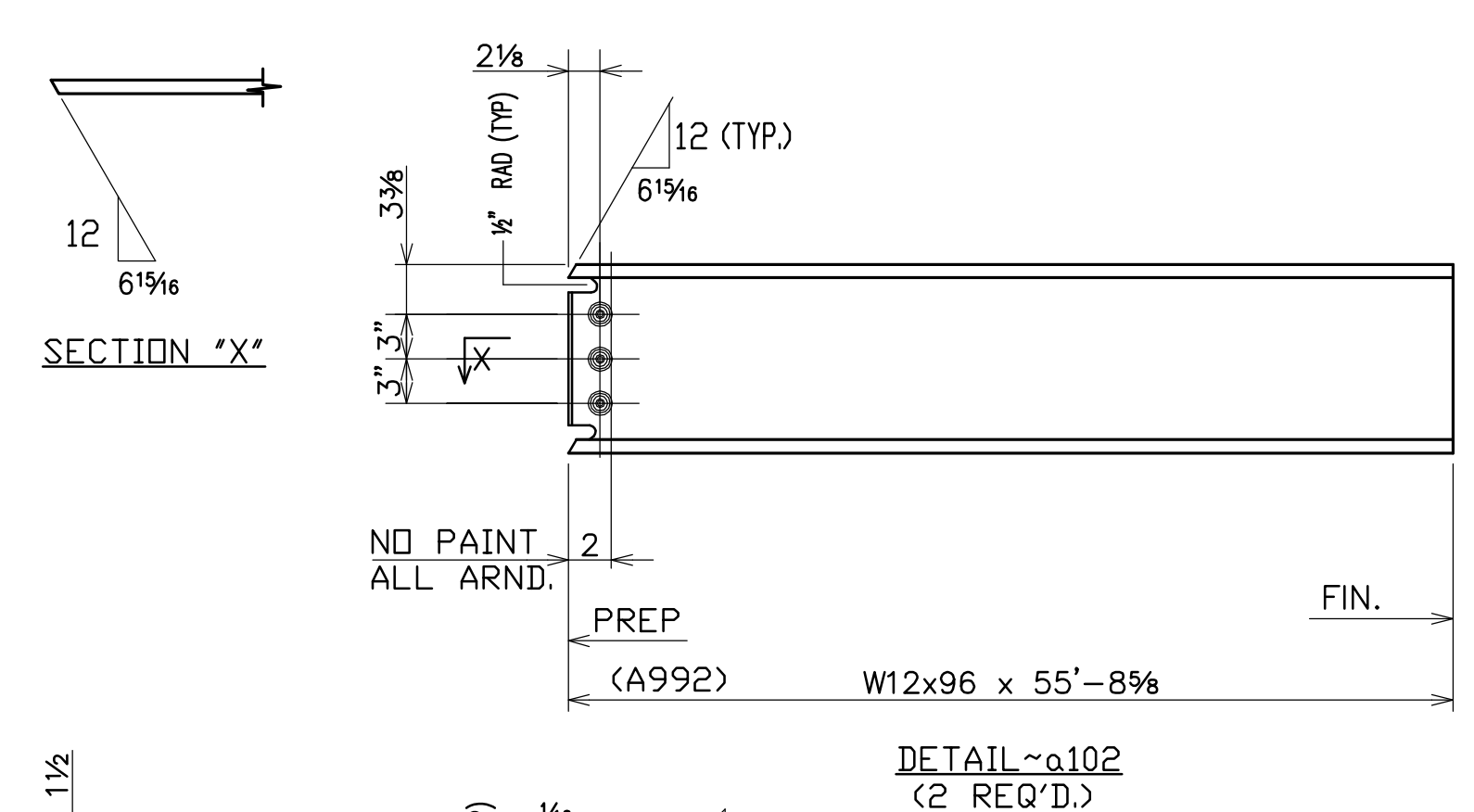
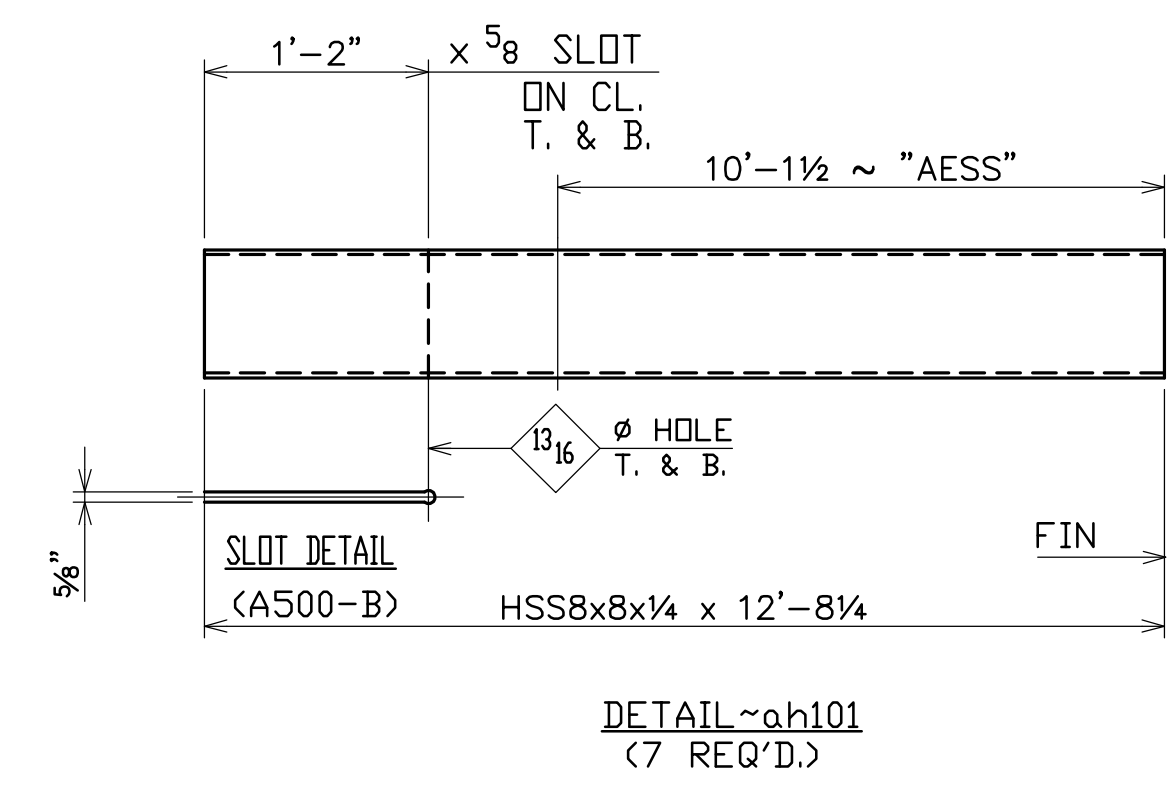
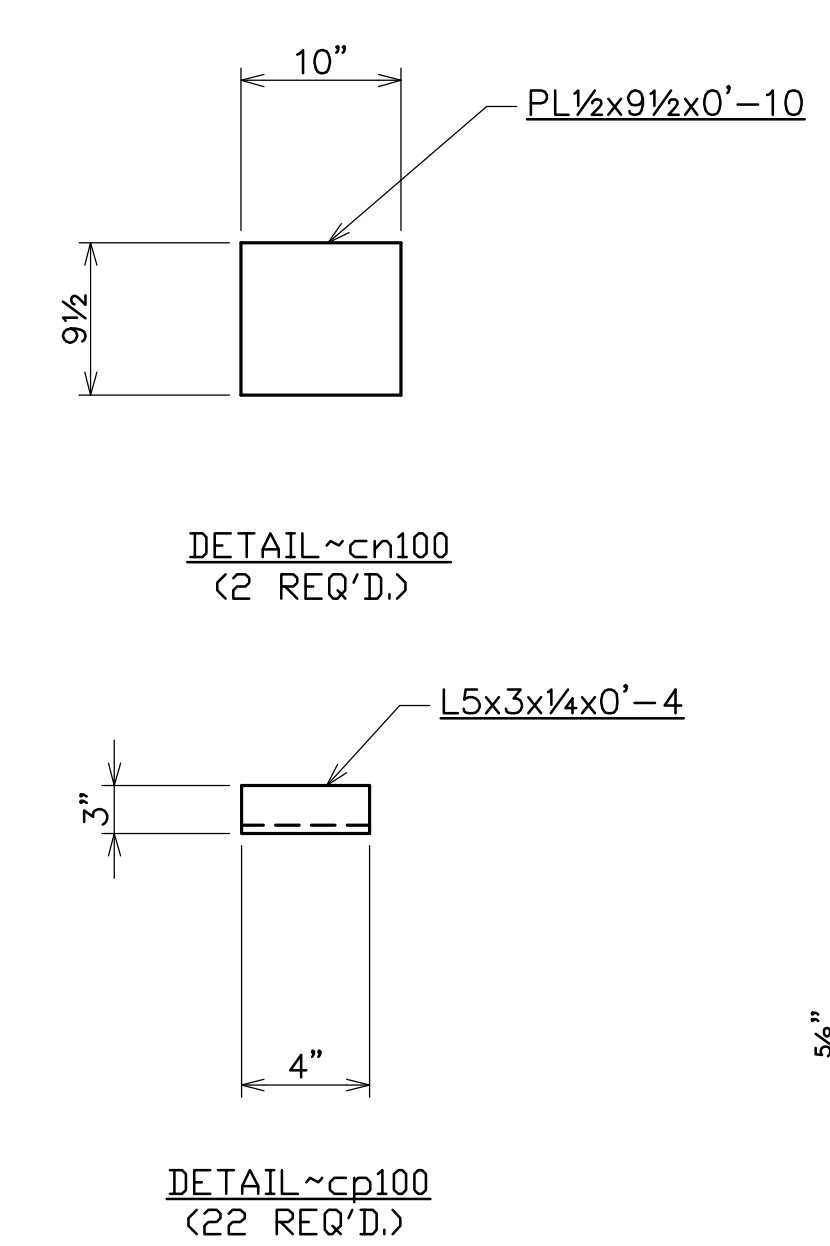
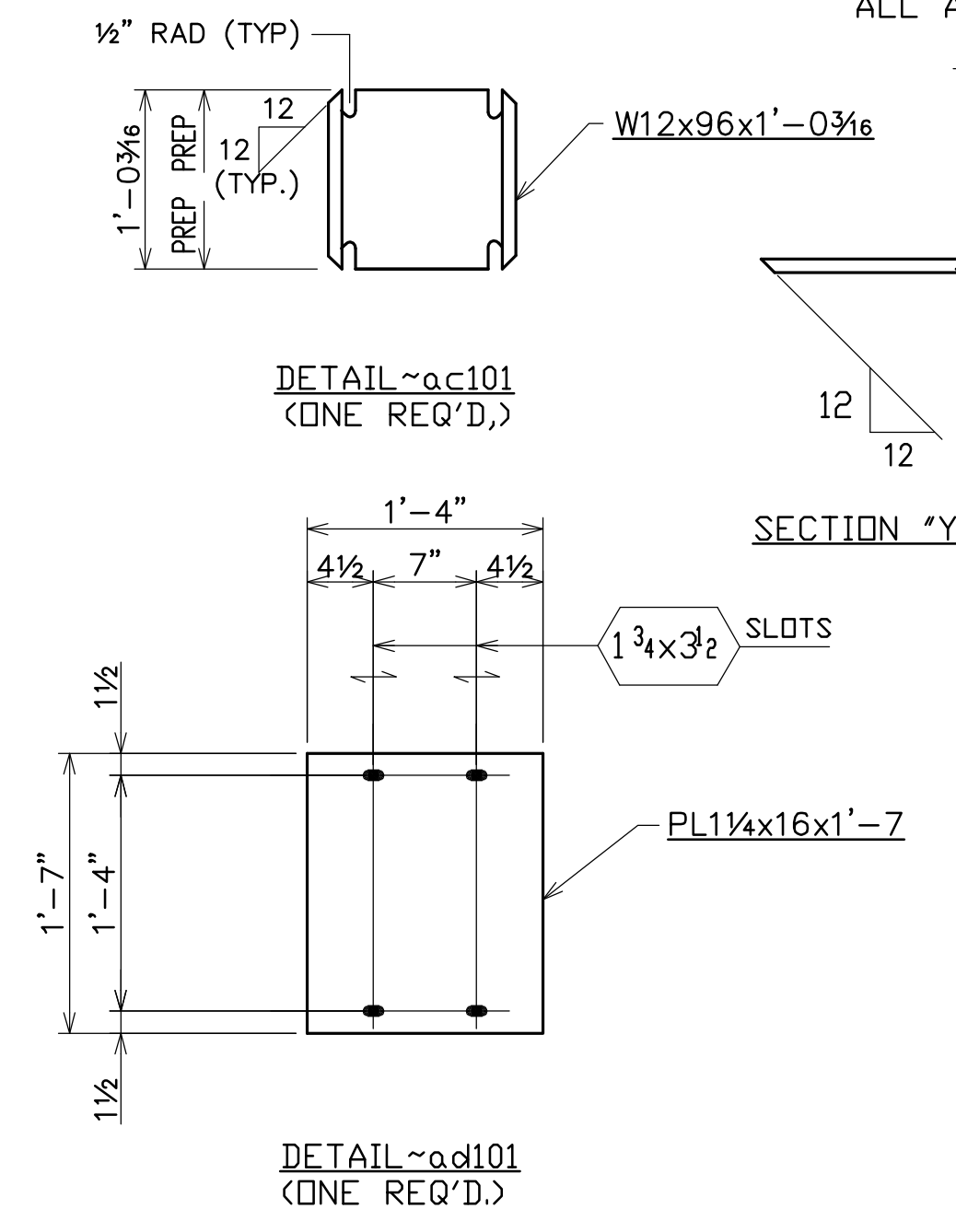
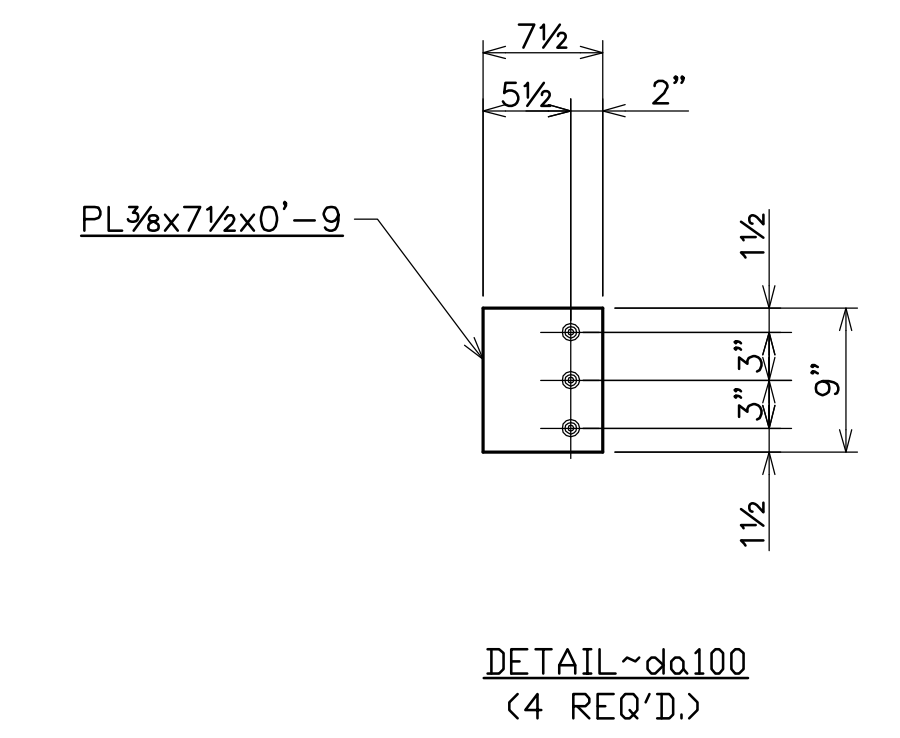
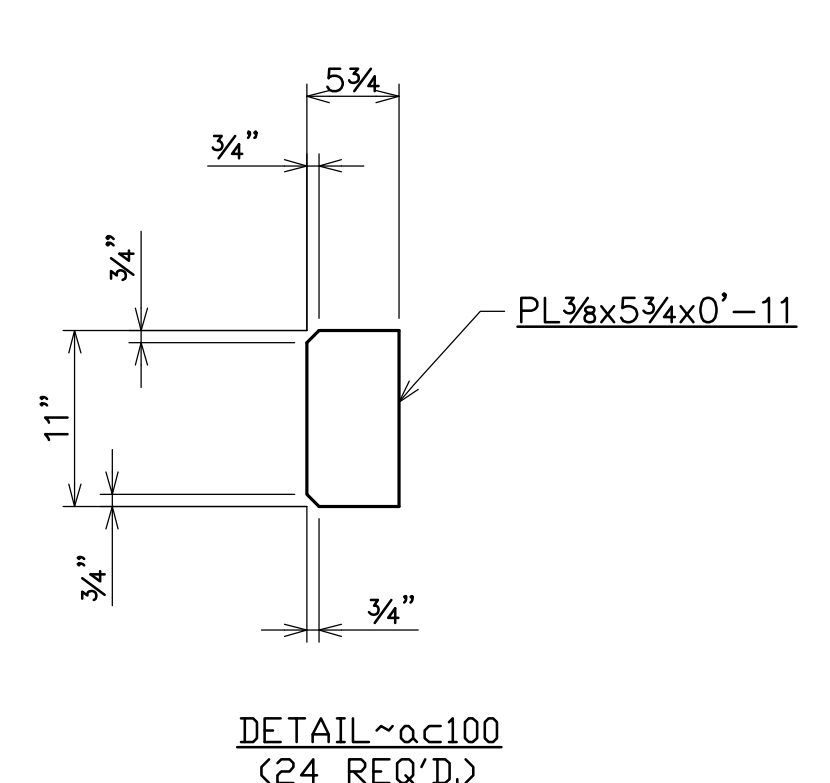
Rev.	Date	Description	By

IRWIN STEEL
 15740 Highway 114 ~ Justin, Texas 76247
 Phone (817) 636-2508 ~ Fax (817) 636-2506

PRINT RECORD					
Date	Quan.	For	Date	Quan.	For

Job Name: UTSWMC - PHASE 5
 Location: DALLAS, TEXAS
 Customer: AUSTIN COMMERCIAL, L.P.
 Architect: OMNIPLAN

DRAWN: TLN	JOB NO: 0811	SHEET NO: 102A
CHECKED: ALY	CAD NO:	



PAINT NOTE:
 AREAS NOTED "AESS" TO BE SSPC-SP6
 BLAST CLEANED & RECEIVE TMEC
 SERIES 66-1211 HI-BUILD EPOXOLINE PRIMER.
 OTHER AREAS TO BE SSPC-SP1 TO SP3
 CLEANED & TO RECEIVE STANDARD
 OXIDE SHOP PRIMER.

WORK THIS DRAWING WITH DRAWINGS 102BOM, 102A, 102B & 102D

SHOP NOTES
 1. ALL STEEL A36 U.N.
 WELD: E70XX
 HOLES: 15/16 U.N.O.
 PAINT: SEE NOTE

PRINT RECORD					
Date	Quan.	For	Date	Quan.	For

STEEL DETAILS~PEDESTRIAN BRIDGE			
Rev.	Date	Description	By

DATE 9-16-08

IRWIN STEEL
 15740 Highway 114 ~ Justin, Texas 76247
 Phone (817) 636-2508 ~ Fax (817) 636-2506

Job Name:	UTSWMC - PHASE 5		
Location:	DALLAS, TEXAS		
Customer:	AUSTIN COMMERCIAL, L.P.		
Architect:	OMNIPLAN		
DRAWN:	TLN	JOB NO:	0811
CHECKED:	ALY	CAD NO:	
SHEET NO.	102C		

Bill of Materials

Line	Mark	No.	Tot	Description	Length		Piece Mark	Remarks	Weight	Order Item
					Ft	In				
1	102T1A	ONE		TRUSS						
2		14	14	PL $\frac{3}{8}$ x5 $\frac{3}{4}$	0	11	ac100			
3		1	1	PL $\frac{1}{2}$ x9 $\frac{1}{2}$	0	10	cn100			
4		12	12	L5x3x $\frac{1}{4}$	0	4	cp100			
5		2	2	PL $\frac{3}{8}$ x7 $\frac{1}{2}$	0	9	da100			
6		1	1	W12x96	1	0 $\frac{3}{16}$	ac101	(A992) PREP. 2E.		
7		1	1	PL1 $\frac{1}{4}$ x16	1	7	ad101			
8		1	1	PL $\frac{3}{8}$ x3 $\frac{1}{4}$	0	5 $\frac{3}{4}$	af101			
9		3	3	HSS8x8x $\frac{1}{4}$	12	8 $\frac{1}{4}$	ah101	(A500-B) F1E		
10		2	2	W12x96	57	2 $\frac{3}{8}$	b102	(A992) B1E F1E		
11		2	2	PL $\frac{3}{8}$ x11	1	5 $\frac{3}{4}$	f102			
12		2	2	PL $\frac{3}{8}$ x13	1	2 $\frac{3}{4}$	g102			
13		10	10	PL $\frac{3}{8}$ x11	1	5 $\frac{3}{4}$	m102			
14		8	8	PL $\frac{3}{8}$ x13	1	2 $\frac{3}{4}$	n102			
15		2	2	PL $\frac{3}{8}$ x13	1	2 $\frac{3}{4}$	p102			
16		2	2	W12x96	5	0 $\frac{1}{16}$	z102	(A992) PREP. 1E. B2E		
17		1	1	HSS10x8x $\frac{3}{8}$	12	8 $\frac{1}{4}$	aa102	(A500-B) F1E		
18		1	1	HSS8x8x $\frac{3}{8}$	12	8 $\frac{1}{4}$	ab102	(A500-B) F1E		
19		1	1	HSS8x8x $\frac{1}{4}$	15	7 $\frac{3}{4}$	ac102	(A500-B)		
20		4	4	HSS8x8x $\frac{1}{4}$	15	7 $\frac{3}{4}$	ad102	(A500-B)		
21		1	1	PL $\frac{1}{2}$ x17 $\frac{1}{2}$	2	0 $\frac{3}{4}$	ah102			
22		4	4	PL $\frac{1}{2}$ x14 $\frac{1}{2}$	1	10 $\frac{1}{2}$	ak102			
23		1	1	HSS8x8x $\frac{1}{4}$	12	8 $\frac{1}{4}$	am102	(A500-B) F1E		
24		1	1	HSS6x4x $\frac{1}{4}$	52	6	an102	(A500-B) F2E		
25		1	1	L6x6x $\frac{3}{8}$	9	11 $\frac{1}{8}$	as102	F2E		
26		4	4	L6x6x $\frac{3}{8}$	10	6	at102	F2E		
27		1	1	PL $\frac{3}{8}$ x5 $\frac{3}{4}$	0	6 $\frac{1}{8}$	av101			
28										
29										
30										
31										
32										
33										
34										
35										
36										
37										
38										
39										
40										
41										
42										
43										
44										
45										
46										
47										
48										
49										
50										
51										
52										
53										
54										
55										
56										
57										
58										
59										
60										
61										
62										
63										
64										
65										
66				FIELD BOLTS			58- $\frac{7}{8}$ ϕ A325 x 2 $\frac{1}{4}$			
67							2 - $\frac{3}{4}$ ϕ A325 x 2			
68										
69										

Bill of Materials

Line	Mark	No.	Tot	Description	Length		Piece Mark	Remarks	Weight	Order Item
					Ft	In				
1	102T1B	ONE		TRUSS						
2		10	10	PL $\frac{3}{8}$ x5 $\frac{3}{4}$	0	11	ac100			
3		1	1	PL $\frac{1}{2}$ x9 $\frac{1}{2}$	0	10	cn100			
4		10	10	L5x3x $\frac{1}{4}$	0	4	cp100			
5		2	2	PL $\frac{3}{8}$ x7 $\frac{1}{2}$	0	9	da100			
6		4	4	HSS8x8x $\frac{1}{4}$	12	8 $\frac{1}{4}$	ah101	(A500-B) F1E		
7		2	2	W12x96	55	8 $\frac{3}{8}$	al02	(A992) PREP. 1E. F1E		
8		10	10	PL $\frac{3}{8}$ x11	1	5 $\frac{3}{4}$	c102			
9		10	10	PL $\frac{3}{8}$ x14 $\frac{1}{2}$	1	3 $\frac{1}{2}$	d102			
10		4	4	HSS8x8x $\frac{1}{4}$	15	7 $\frac{3}{4}$	e102	(A500-B)		
11		4	4	PL $\frac{1}{2}$ x14 $\frac{1}{2}$	1	10 $\frac{1}{2}$	f102			
12		1	1	HSS8x8x $\frac{1}{4}$	12	8 $\frac{1}{4}$	g102	(A500-B) F1E		
13		1	1	HSS6x4x $\frac{1}{4}$	42	0	h102	(A500-B) F2E		
14		4	4	L6x6x $\frac{3}{8}$	10	6	i102	F2E		
15										
16										
17										
18										
19										
20										
21										
22										
23										
24										
25										
26										
27										
28										
29										
30										
31										
32										
33										
34										
35										
36										
37										
38										
39										
40										
41										
42										
43										
44										
45										
46										
47										
48										
49										
50										
51										
52										
53										
54										
55										
56										
57										
58										
59										
60										
61										
62										
63										
64										
65										
66										
67										
68										
69										

PAINT NOTE:
 AREAS NOTED "AESS" TO BE SSPC-SP6
 BLAST CLEANED & RECEIVE TNEC
 SERIES 66-1211 HI-BUILD EPOXOLINE PRIMER.
 OTHER AREAS TO BE SSPC-SP1 TO SP3
 CLEANED & TO RECEIVE STANDARD
 OXIDE SHOP PRIMER.

WORK THIS DRAWING WITH DRAWING 102A 102B, 102C & 102D

9-16-08

SHOP NOTES
 1. ALL STEEL A36 U.N.
 WELD: E70XX
 HOLES: $\frac{15}{16}$ ϕ U.N.O.
 PAINT: SEE NOTE

STEEL DETAILS - PEDESTRIAN BRIDGE

Rev.	Date	Description	By

IRWIN STEEL
 15740 Highway 114 ~ Justin, Texas 76247
 Phone (817) 636-2508 ~ Fax (817) 636-2506

PRINT RECORD					
Date	Quan.	For	Date	Quan.	For

DRAWN: TLN	JOB NO: 0811	SHEET NO: 102BOM
CHECKED: ALY	CAD NO:	