

This Drawing Represents An Approval Of The Following

JOIST DECK

STRUCTURAL STEEL

SUBMISSION NO. _____

DATE: _____

In order for Schlosser Steel to meet our committed delivery on this project, completely approved drawings with all requested information must be returned to our office by 7-15-04. Delays beyond this date will result in delivery delays.

REVISIONS		
REV. NO.	DATE	DESCRIPTION
8-24-04		ADD PC MKR TO SECT. F' & REV. SECT. @ ELEV.
8-19-04		ADD SECT F'
7-15-04		PC MKS (SECT H)

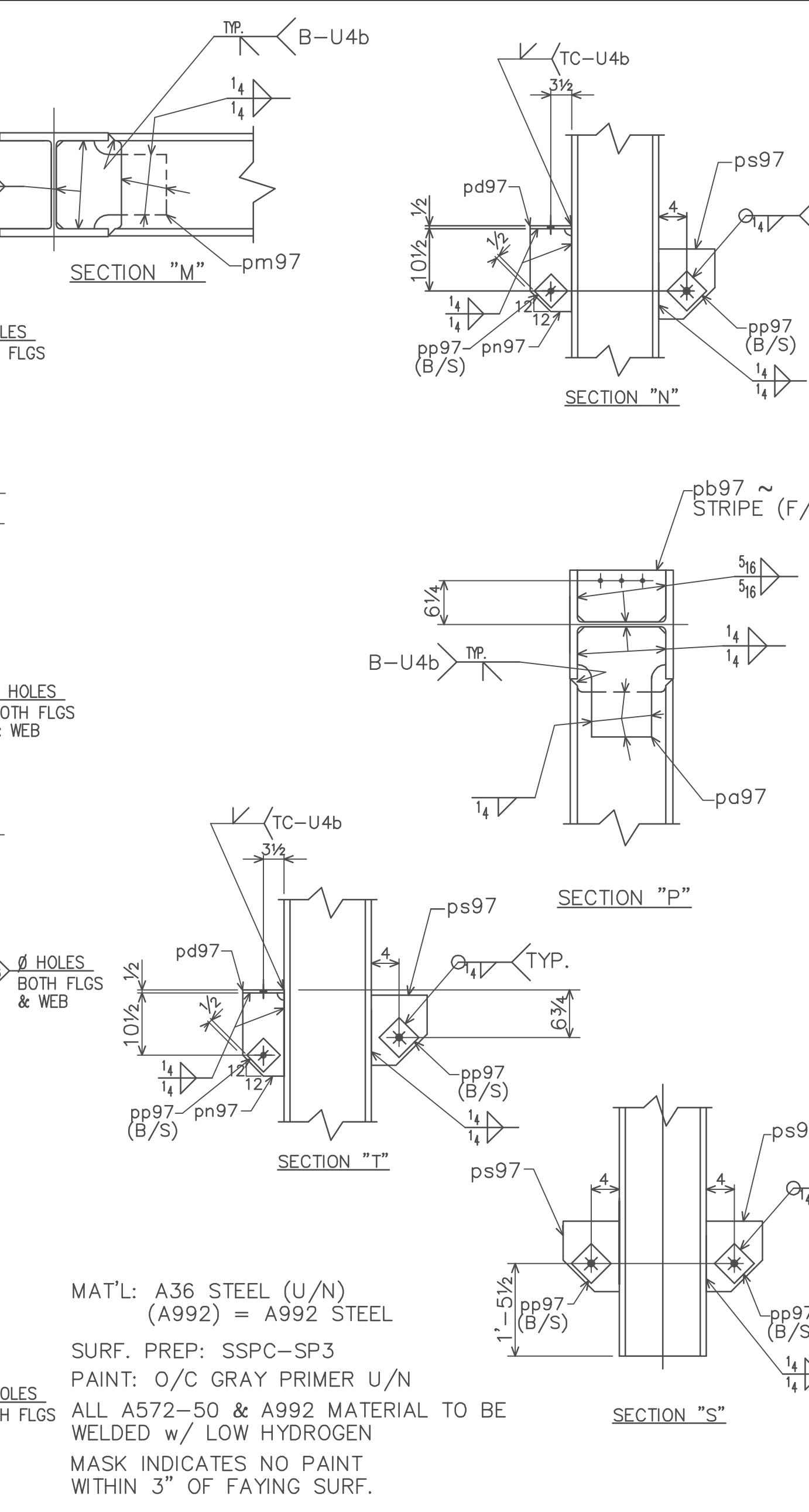
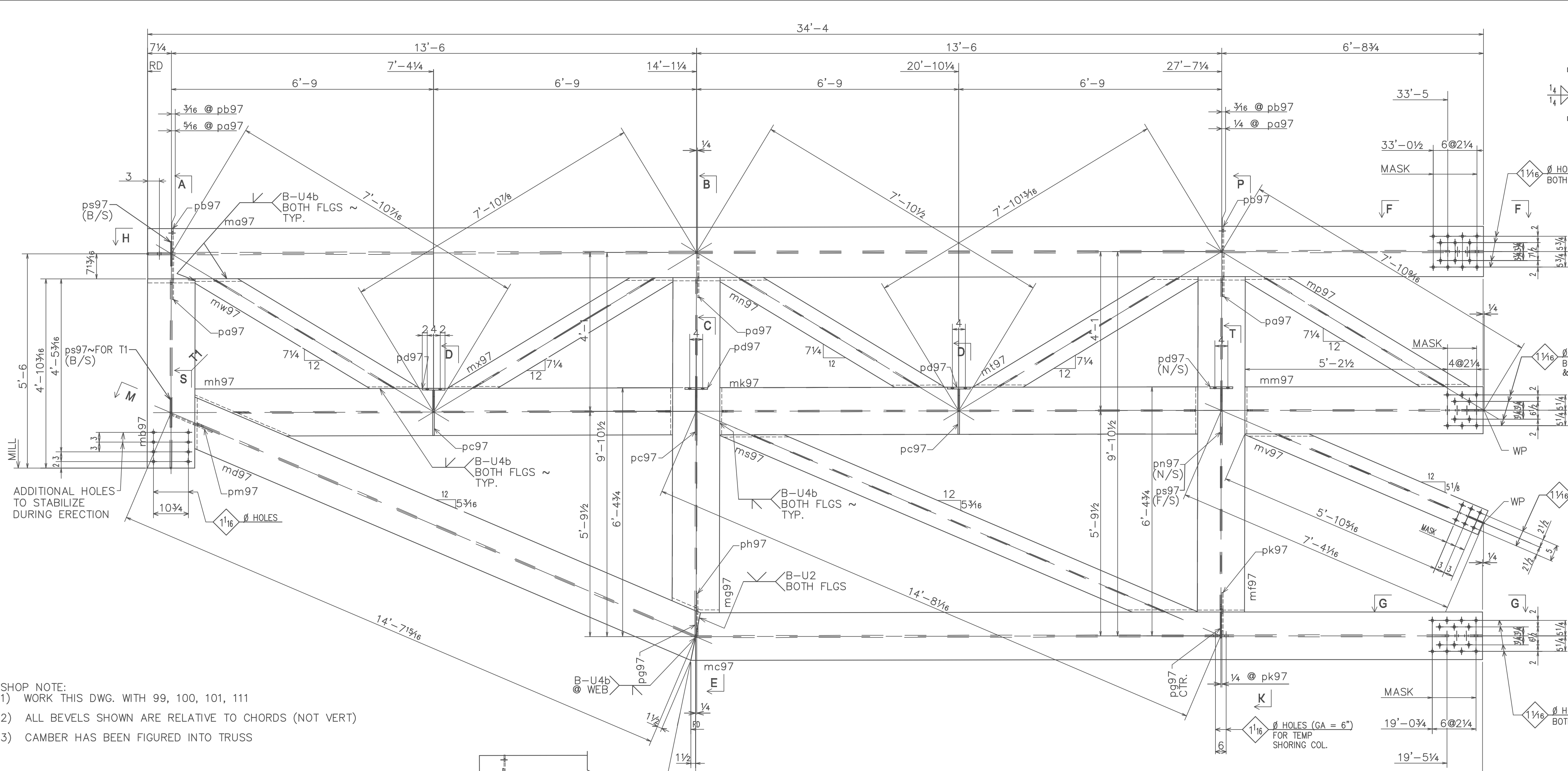
PRINT RECORD			
NO.	DT.	TO	FOR

SCHLOSSER STEEL, Inc.
Structural Steel Fabricators
2641 Township Line Road Hatfield, Pa.

TRUSS ELEV. & FIELD DETAILS
GARDNER INTEGRATED ATHLETIC CENTER
HAVERFORD COLLEGE - HAVERFORD, PA

WELD ELECT: E70XX-LH	ORDER NO. C5334
HOLES: 13/16" U.N.O.	SHEET NO. E11
MADE BY TJS	DATE 4/19/04
CHK'D. BY RJS	



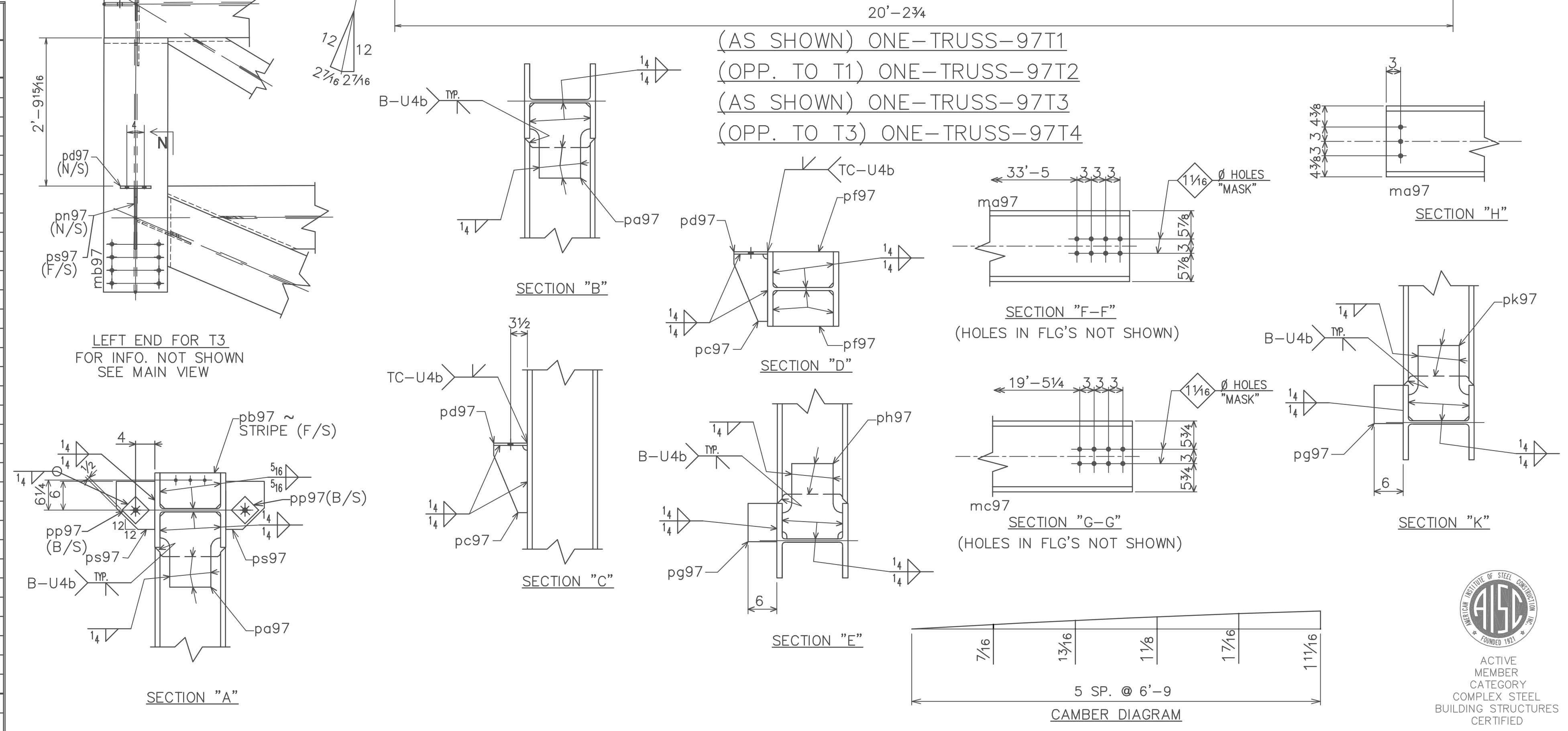


SHOP NOTE:
 1) WORK THIS DWG. WITH 99, 100, 101, 111
 2) ALL BEVELS SHOWN ARE RELATIVE TO CHORDS (NOT VERT)
 3) CAMBER HAS BEEN FIGURED INTO TRUSS

MAT'L: A36 STEEL (U/N)
 (A992) = A992 STEEL
 SURF. PREP: SSPC-SP3
 PAINT: O/C GRAY PRIMER U/N
 ALL A572-50 & A992 MATERIAL TO BE WELDED w/ LOW HYDROGEN
 MASK INDICATES NO PAINT WITHIN 3" OF FAYING SURF.

!! IMPORTANT SHOP NOTE !!
 ***** DIMENSIONS ARE REFERENCED FROM END OF MATERIAL NOTED RD (RUNNING DIMENSIONS) *****

BILL OF MATERIAL								
SHIPMENT		NO.	SHAPE	LENGTH		MARK	REMARKS	WT.
A	B			FT	IN			
		1	ONE TRUSS			97T1		16913
		1	ONE TRUSS			97T2		16913
		1	ONE TRUSS			97T3		16913
		1	ONE TRUSS			97T4		16913
		4	W14x145(A992)	34	4 1/16	ma97 (#2)		
		4	W14x120(A992)	4	10 3/16	mb97	SEE DETAIL	
		4	W14x120(A992)	20	4 1/4	mc97	SEE DETAIL	
		4	W14x120(A992)	14	4 9/8	md97	SEE DETAIL	
		4	W14x90(A992)	8	7 7/16	mf97	SEE DETAIL	
		4	W14x90(A992)	8	7 7/16	mg97	SEE DETAIL	
		4	W14x90(A992)	12	3 7/16	mh97	SEE DETAIL	
		4	W14x90(A992)	12	3 1/2	mk97	SEE DETAIL	
		4	W14x90(A992)	6	1 1/2	mm97	SEE DETAIL	
		4	W14x43(A992)	6	5	mn97	SEE DETAIL	
		4	W14x43(A992)	6	5	mp97	SEE DETAIL	
		4	W14x43(A992)	13	1	ms97	SEE DETAIL	
		4	W14x43(A992)	6	5 1/8	mt97	SEE DETAIL	
		4	W14x43(A992)	6	6 9/16	mv97	SEE DETAIL	
		4	W14x43(A992)	6	4 11/16	mw97	SEE DETAIL	
		4	W14x43(A992)	6	5 3/16	mx97	SEE DETAIL	
		12	PL 3/8x12 2 1/2	1	1 3/8	pa97	SEE DETAIL	
		8	PL 3/8x7 3/8	1	0 5/8	pb97	SEE DETAIL	
		12	PL 1/2x7	1	2	pc97	SEE DETAIL	
		18	PL 1/2x7	0	8	pd97	SEE DETAIL	
		16	PL 3/8x7	1	0 5/8	pe97	SEE DETAIL	
		8	PL 3/8x6	0	8	pf97	SEE DETAIL	
		4	PL 3/8x12 2 1/2	1	3	pg97	SEE DETAIL	
		4	PL 3/8x12 2 1/2	1	1	ph97	SEE DETAIL	
		4	PL 3/8x12 2 1/2	1	2	pi97	SEE DETAIL	
		6	PL 3/4x7	1	2	pn97	SEE DETAIL	
		48	PL 3/8x4	0	4	pp97	SEE DETAIL	
		18	PL 3/4x8	0	10	ps97	SEE DETAIL	
FIELD BOLTS		36	3/4" A325TC x 2 1/2"					



This Drawing Represents An Approval Of The Following
 JOIST DECK
 STRUCTURAL STEEL

SUBMISSION NO. _____
 DATE: _____

In order for Schlosser Steel to meet our committed delivery on this project, completely approved drawings with all requested information must be returned to our office by _____. Delays beyond this date will result in delivery delays.

REVISIONS		
REV. NO.	DATE	DESCRIPTION
1	8/25/04	REV. WELD SECT. C, D, N & T
2	7/15/04	PER CHECKING & COMMENTS
3	7/7/04	ADD FOR TEMP. BRGC.

PRINT RECORD

NO.	DT.	TO	FOR

SCHLOSSER STEEL, Inc.
 Structural Steel Fabricators
 2641 Township Line Road Hatfield, Pa.

STEEL DETAILS
 GARDNER INTEGRATED ATHLETIC CENTER
 HAVERFORD COLLEGE - HAVERFORD, PA

WELD ELECT: E70XX-LH
 HOLES: 1 3/16" U.N.O.
 MADE BY TJS
 CHK'D. BY RJS

ORDER NO. C5344
 SHEET NO. 97
 DATE 4/16/04

